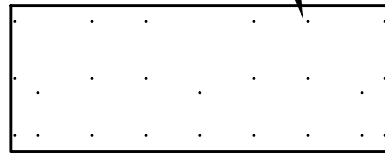
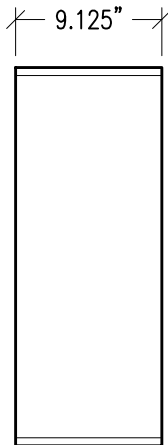


ISOMETRIC

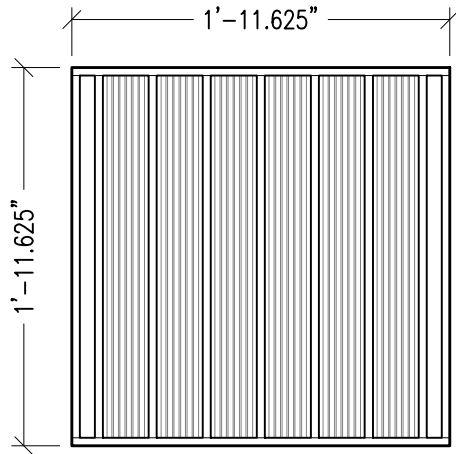
NAIL HOLES WILL BE VISIBLE AT  
TOP AND BOTTOM OF UNIT  
UNLESS OTHERWISE SPECIFIED



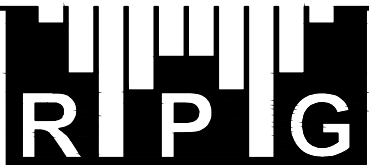
TOP



SIDE



FRONT



**RPG DIFFUSOR SYSTEMS, INC.**  
651-C Commerce Drive, Upper Marlboro MD 20774  
Phone: 301-249-0044 \* Fax: 301-249-3912  
Email: info@rpginc.com

Title: *RPG DIFFRACTAL 2X2 EE  
CUTSHEET*

Proj: *RPG PRODUCT*

Date: *5/11/2012*

By: *WRM*

Scale: *1" = 1'-0"*

Path: *M:\Products New\DIFFRACTAL\CAD\_DWG\Diffraction Cutsheets.dwg*

Comments:

---



---



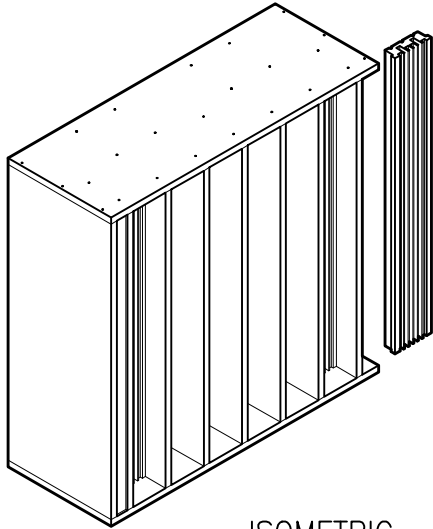
---



---

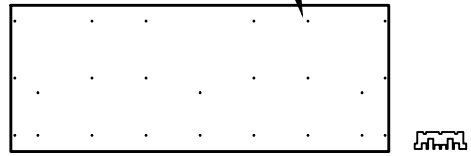


---

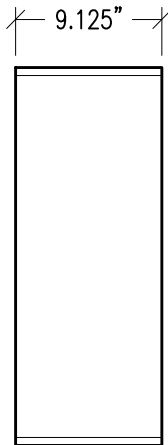


ISOMETRIC

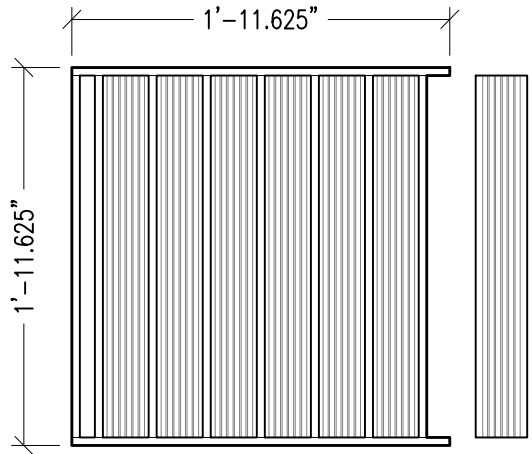
NAIL HOLES WILL BE VISIBLE AT  
TOP AND BOTTOM OF UNIT  
UNLESS OTHERWISE SPECIFIED



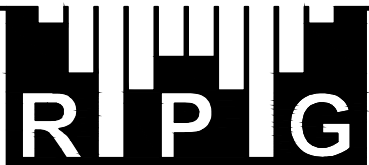
TOP



SIDE



FRONT



**RPG DIFFUSOR SYSTEMS, INC.**  
651-C Commerce Drive, Upper Marlboro MD 20774  
Phone: 301-249-0044 \* Fax: 301-249-3912  
Email: info@rpginc.com

Title: *RPG DIFFRACTAL 2X2 EJ  
CUTSHEET*

Proj: *RPG PRODUCT*

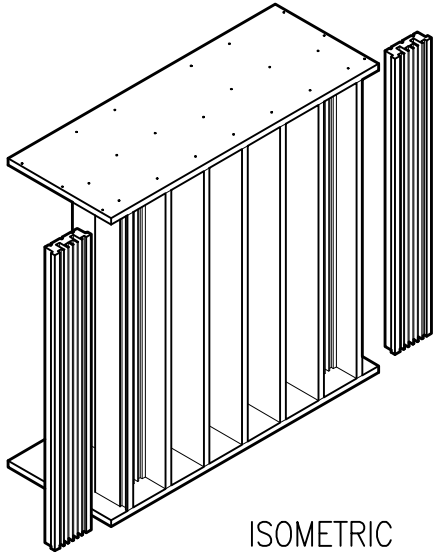
Date: *5/11/2012*

By: *WRM*

Scale: *1" = 1'-0"*

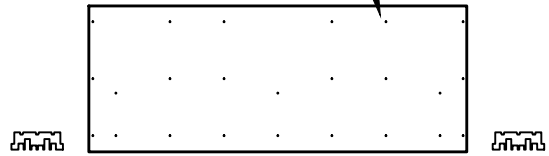
Path: *M:\Products New\DIFFRACTAL\CAD\_DWG\Diffraction Cutsheets.dwg*

Comments:  
\_\_\_\_\_  
\_\_\_\_\_  
\_\_\_\_\_  
\_\_\_\_\_

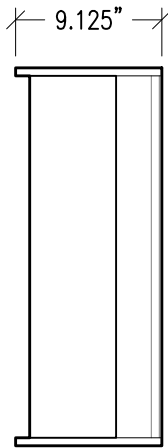


ISOMETRIC

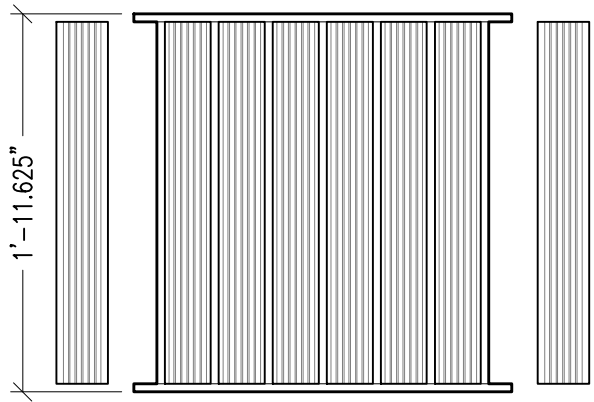
NAIL HOLES WILL BE VISIBLE AT  
TOP AND BOTTOM OF UNIT  
UNLESS OTHERWISE SPECIFIED



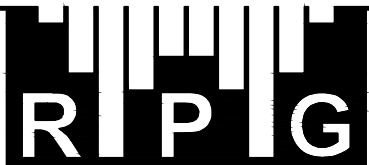
TOP



SIDE



FRONT



**RPG DIFFUSOR SYSTEMS, INC.**  
651-C Commerce Drive, Upper Marlboro MD 20774  
Phone: 301-249-0044 \* Fax: 301-249-3912  
Email: info@rpginc.com

Title: RPG DIFFRACTAL 2X2 JJ  
CUTSHEET

Proj: RPG PRODUCT

Date: 5/11/2012

By: WRM

Scale: 1" = 1'-0"

Comments:

---



---



---

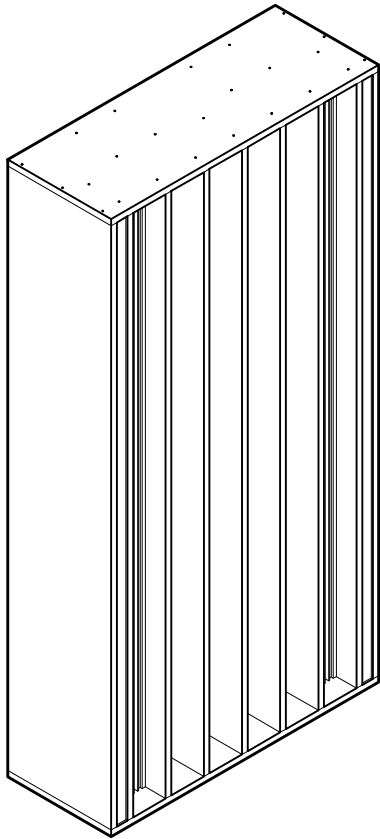


---



---

Path: M:\Products New\DIFFRACTAL\CAD\_DWG\Diffraction Cutsheets.dwg



ISOMETRIC

NAIL HOLES WILL BE VISIBLE AT  
TOP AND BOTTOM OF UNIT  
UNLESS OTHERWISE SPECIFIED



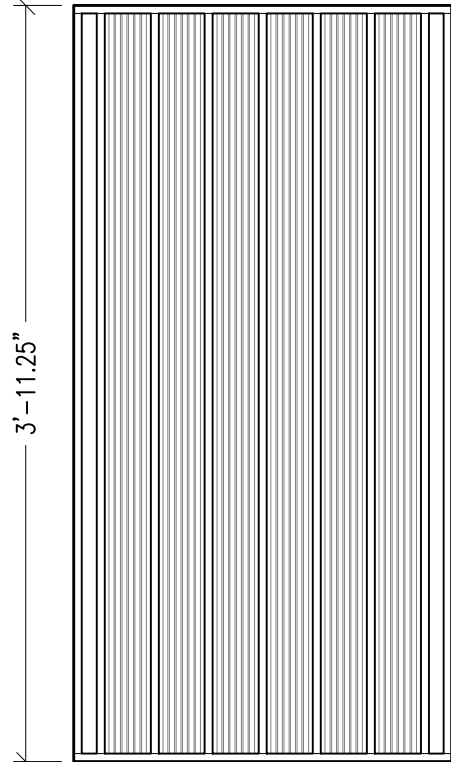
TOP

9.125"

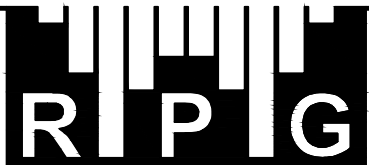


SIDE

1'-11.625"



FRONT



**RPG DIFFUSOR SYSTEMS, INC.**  
651-C Commerce Drive, Upper Marlboro MD 20774  
Phone: 301-249-0044 \* Fax: 301-249-3912  
Email: info@rpginc.com

Title: *RPG DIFFRACTAL 4X2 EE  
CUTSHEET*

Proj: *RPG PRODUCT*

Date: *5/11/2012*

By: *WRM*

Scale: *1" = 1'-0"*

Comments:

---



---



---

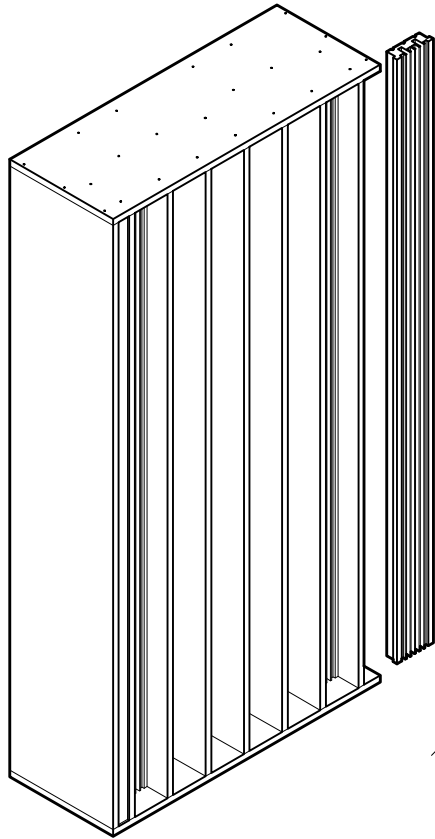


---



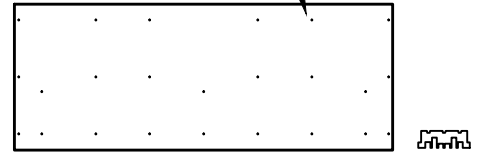
---

Path: *M:\Products New\DIFFRACTAL\CAD\_DWG\Diffractional Cutsheets.dwg*



ISOMETRIC

NAIL HOLES WILL BE VISIBLE AT  
TOP AND BOTTOM OF UNIT  
UNLESS OTHERWISE SPECIFIED



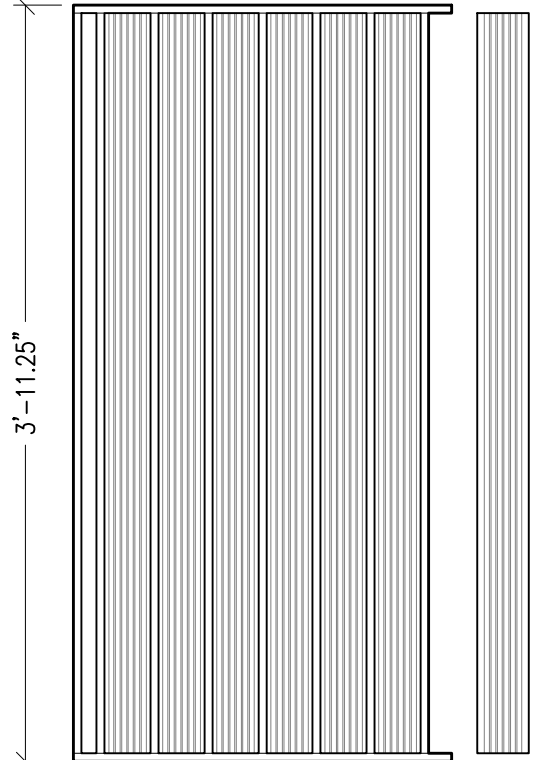
TOP

9.125"



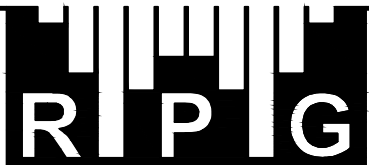
SIDE

1'-11.625"



FRONT

3'-11.25"



**RPG DIFFUSOR SYSTEMS, INC.**

651-C Commerce Drive, Upper Marlboro MD 20774  
Phone: 301-249-0044 \* Fax: 301-249-3912  
Email: info@rpginc.com

Title: RPG DIFFRACTAL 4X2 EJ  
CUTSHEET

Proj: RPG PRODUCT

Date: 5/11/2012

By: WRM

Scale: 1"=1'-0"

Comments:

---



---



---

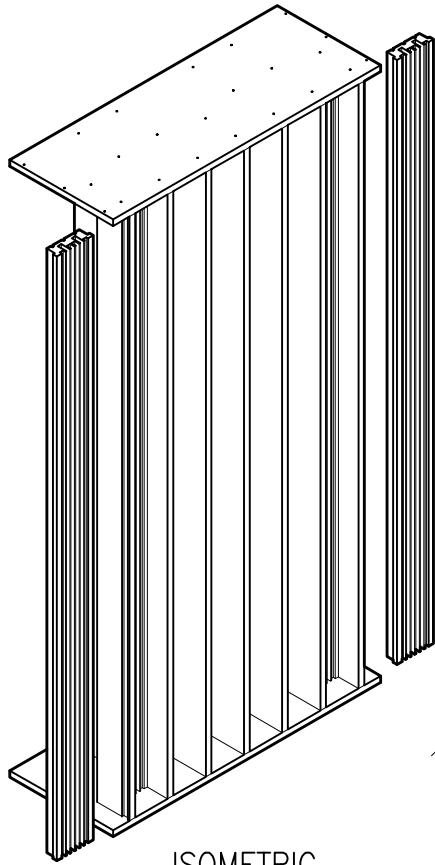


---



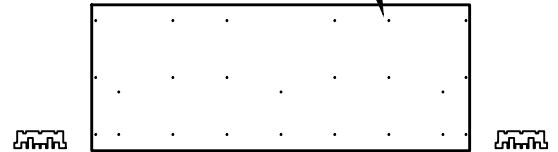
---

Path: M:\Products New\DIR\_Diffractal\CAD\_DWG\Diffractal Cutsheets.dwg



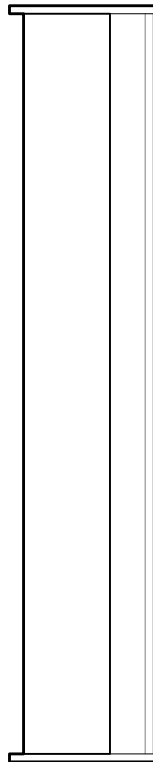
ISOMETRIC

NAIL HOLES WILL BE VISIBLE AT  
TOP AND BOTTOM OF UNIT  
UNLESS OTHERWISE SPECIFIED



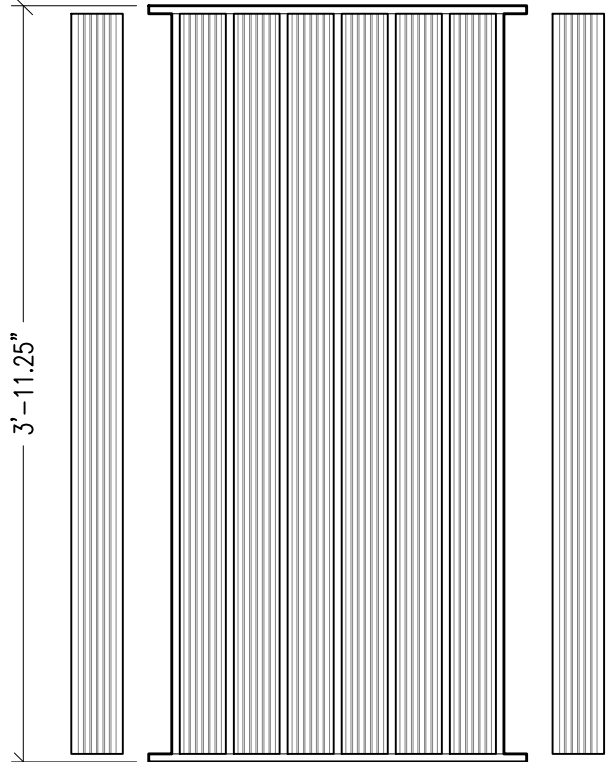
TOP

9.125"



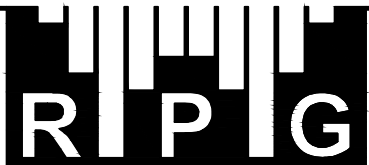
SIDE

1'-11.625"



FRONT

3'-11.25"



**RPG DIFFUSOR SYSTEMS, INC.**

651-C Commerce Drive, Upper Marlboro MD 20774  
Phone: 301-249-0044 \* Fax: 301-249-3912  
Email: info@rpginc.com

Title: RPG DIFFRACTAL 4X2 JJ  
CUTSHEET

Proj: RPG PRODUCT

Date: 5/11/2012

By: WRM

Scale: 1"=1'-0"

Comments:

---



---



---



---



---

Path: M:\Products New\DIFFRACTAL\CAD\_DWG\Diffractional Cutsheets.dwg