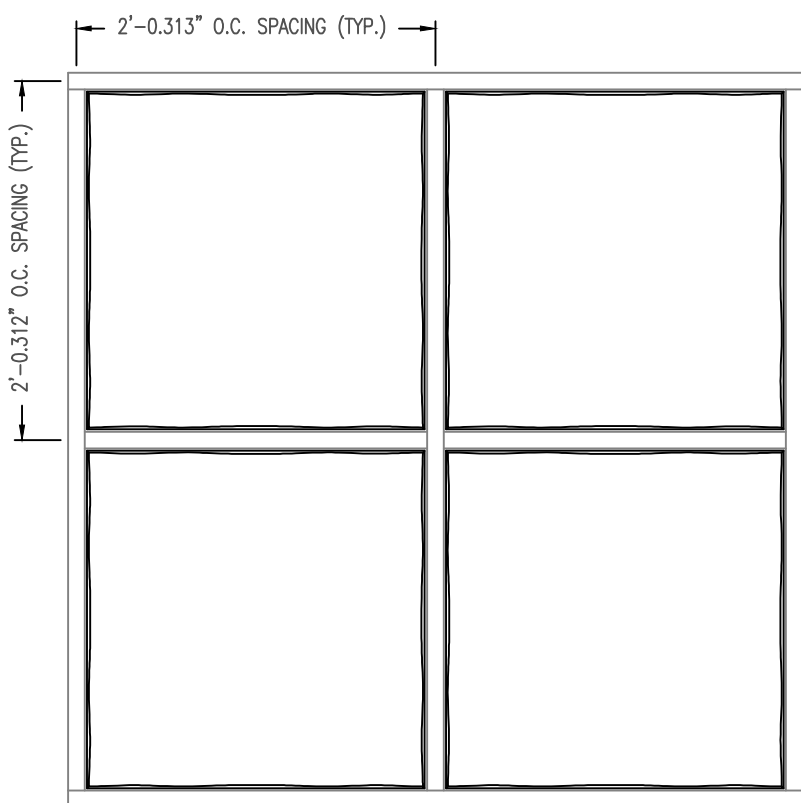
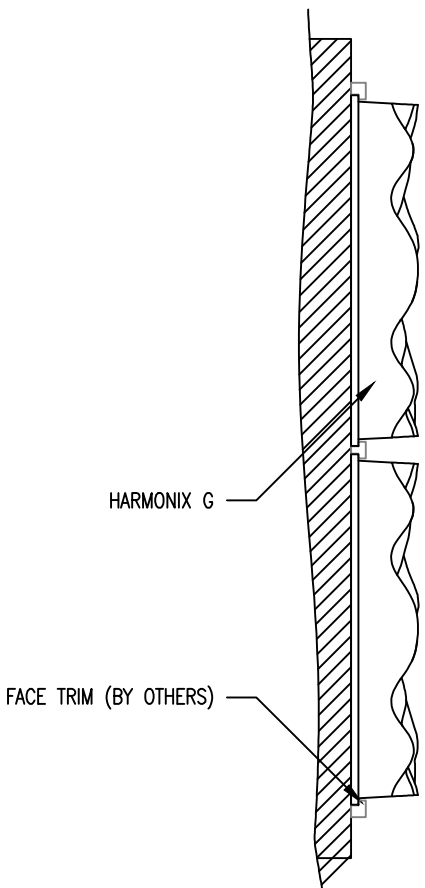
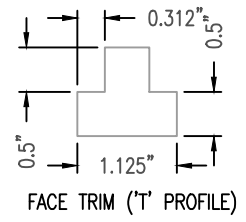
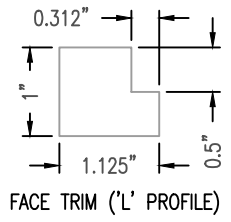


① SECURE THRU TRIM, INTO WALL (TYP.)



- NOTES:
1. DETAILS PROVIDED FOR ILLUSTRATION & EXAMPLE PURPOSES ONLY.
  2. ALL FRAMING, BLOCKING, INSULATION, FASTENERS ETC., PROVIDED BY OTHERS.
  3. PLEASE CONSULT YOUR ARCHITECT, CONSULTANT BUILDER ETC. FOR SPECIFICATIONS.
  4. THE INSTALLATION METHOD CHOSEN SHOULD MEET OR EXCEED 5lbs./ft<sup>2</sup>.



99 SOUTH STREET, PASSAIC, NJ 07055  
 (p) 973-916-1166 (e) estimating@rpgacoustic.com

Title: HARMONIX G SURFACE MOUNT

Proj: RPG PRODUCT

Date: 11/7/14

By: CNN

Scale: NYS

Path:

Comments:

---



---



---



---