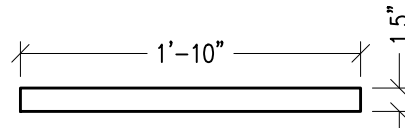
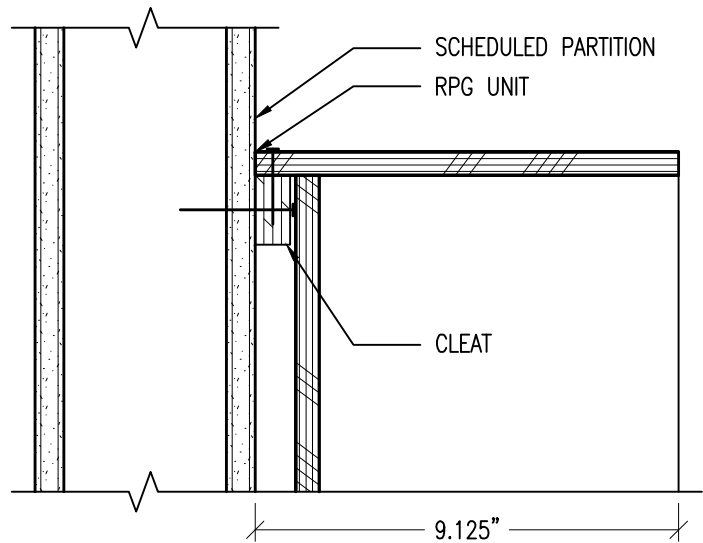


CAULK EDGES TO PREVENT VIBRATION



(1) 3/4" PLYWOOD CLEAT WILL BE PROVIDED FOR EACH UNIT



99 SOUTH STREET, PASSAIC, NJ 07055
 (p) 973-916-1166 (e) estimating@rpgacoustic.com

Title: RPG QRD / DIFFRACTAL (2X2)
 CLEAT MOUNTING

Proj: RPG PRODUCT

Date: 10/2/2015

By: CNN

Scale: NYS

Path:

Comments:
