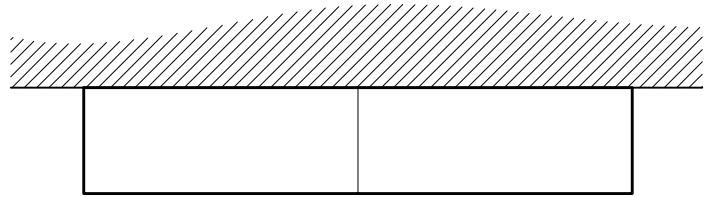
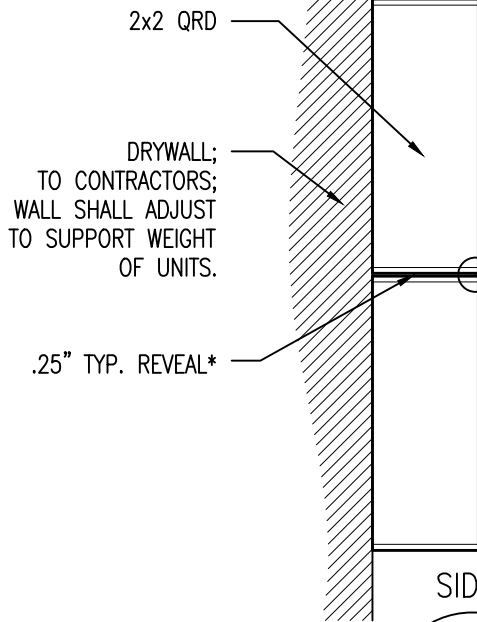


.25" TYP. REVEAL*

SCALED 5X'S



TOP

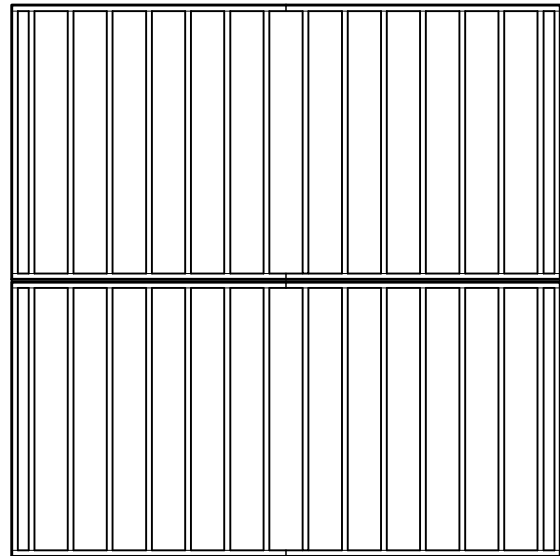


2x2 QRD

DRYWALL;
TO CONTRACTORS;
WALL SHALL ADJUST
TO SUPPORT WEIGHT
OF UNITS.

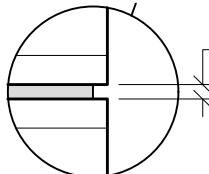
.25" TYP. REVEAL*

SIDE



FRONT

* SPACER WITHIN
REVEAL IS PROVIDED
BY OTHERS.



.25" TYP. REVEAL*

SCALED 5X'S



99 SOUTH STREET, PASSAIC, NJ 07055
(p) 973-916-1166 (e) estimating@rpgacoustic.com

Title: RPG QRD (2X2)
EJ ARRAY

Proj: RPG PRODUCT

Date: 10/2/2015

By: CNN

Scale: 3/4"=1'

Comments:

Path: C:\Users\RPG\Desktop\TO BE DELETED\WORKING__QRD7_QRD 734\CAD_DWG\QRD Mounting.dwg