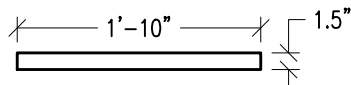
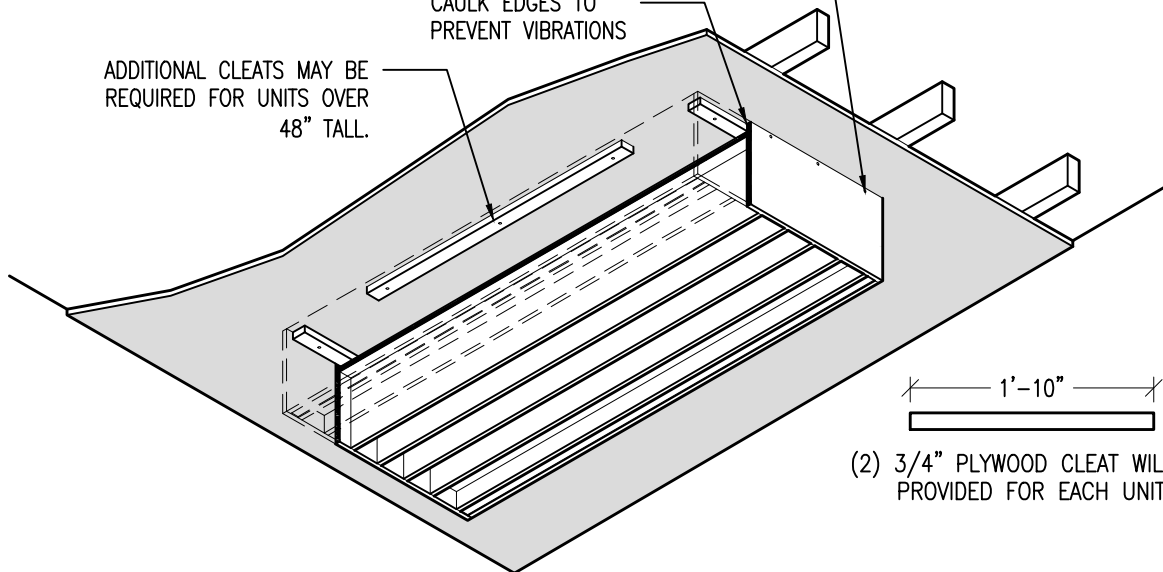


ATTACH UNITS TO CEILING MOUNTED CLEATS USING TRIM HEAD SCREWS TO MINIMIZE PENETRATIONS IN THE SIDES OF THE UNITS. USE WOOD PUTTY TO FILL HOLES.

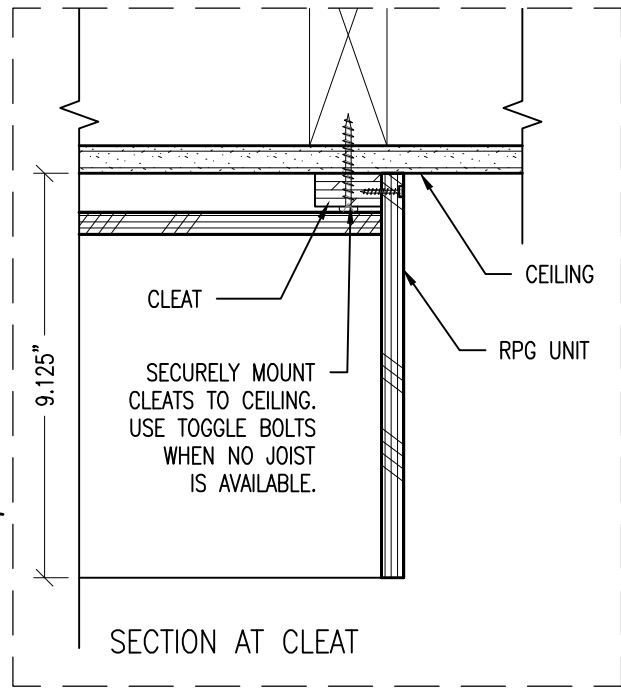
CAULK EDGES TO PREVENT VIBRATIONS

ADDITIONAL CLEATS MAY BE REQUIRED FOR UNITS OVER 48" TALL.



(2) 3/4" PLYWOOD CLEAT WILL BE PROVIDED FOR EACH UNIT

SECTIONAL ISOMETRIC VIEW SHOWING CLEAT LOCATIONS FOR CEILING MOUNTING



SECTION AT CLEAT



99 SOUTH STREET, PASSAIC, NJ 07055  
(p) 973-916-1166 (e) estimating@rpgacoustic.com

Title: RPG MODFFUSOR 2X2 EE CUTSHEET

Proj: RPG PRODUCT

Date: 1/27/17

By: CNN

Scale: NTS

Comments:

---



---



---



---



---

Path: F:\Project Mgmt - RPG\RPG PRODUCTS\Under reviewing\MODF\_Modffusor\CAD\_DWG\Modffusor Mounting