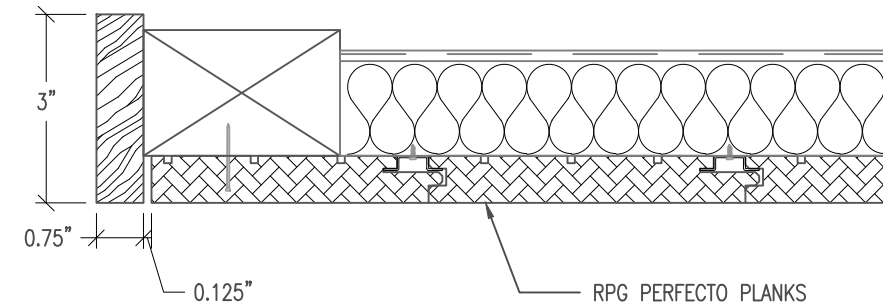
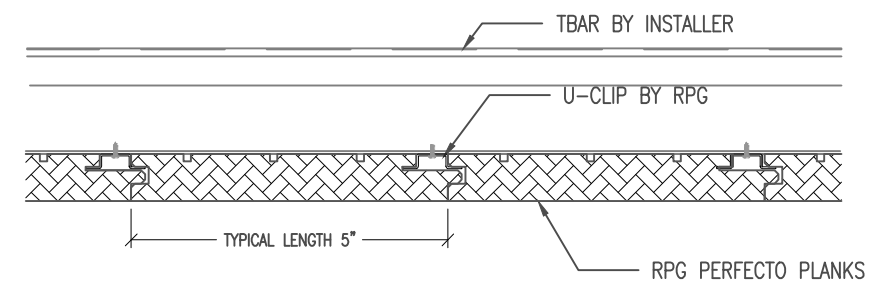


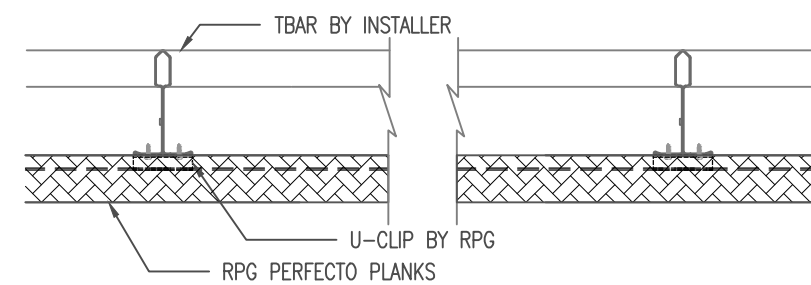
ISOMETRIC VIEW (NTS)



A-DETAIL SECTION @ TRIM



B-DETAIL SECTION



C-DETAIL SECTION



99 SOUTH STREET, PASSAIC, NJ 07055
 (p) 973-916-1166 (e) estimating@rpgacoustic.com

Title: RPG PERFECTO PLANKS UCLIP MOUNTING		
Proj: RPG PRODUCT		
Date: 2/6/17	By: CNN	Scale: NTS
Path: F:\Project Mgmt - RPG\PROJECTS\...Under reviewing\PERFPL-Micro_Perfecto Absorptive Wood Plank\CAD_DWG\RPG Micro Plank Mounting - Masterfile		

Comments: