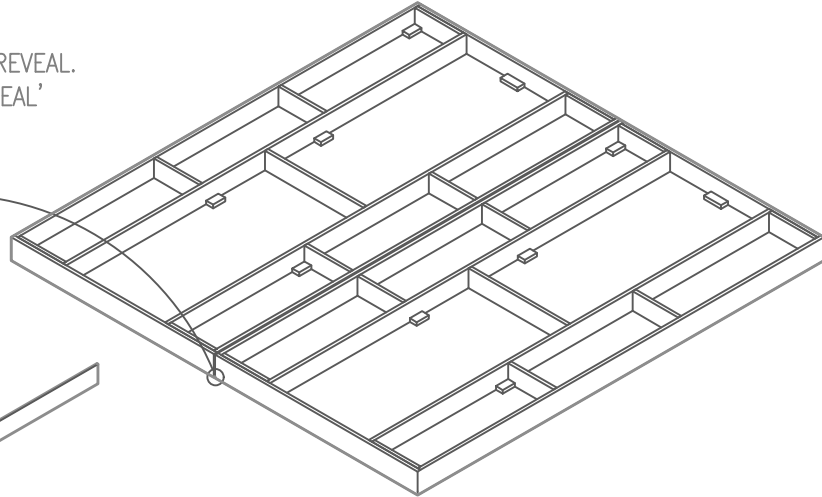
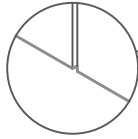


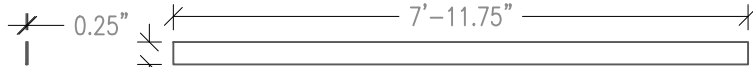
SPACER CREATES A .250" REVEAL.
SEE 'MOUNTING DETAIL-REVEAL'



ISOMETRIC



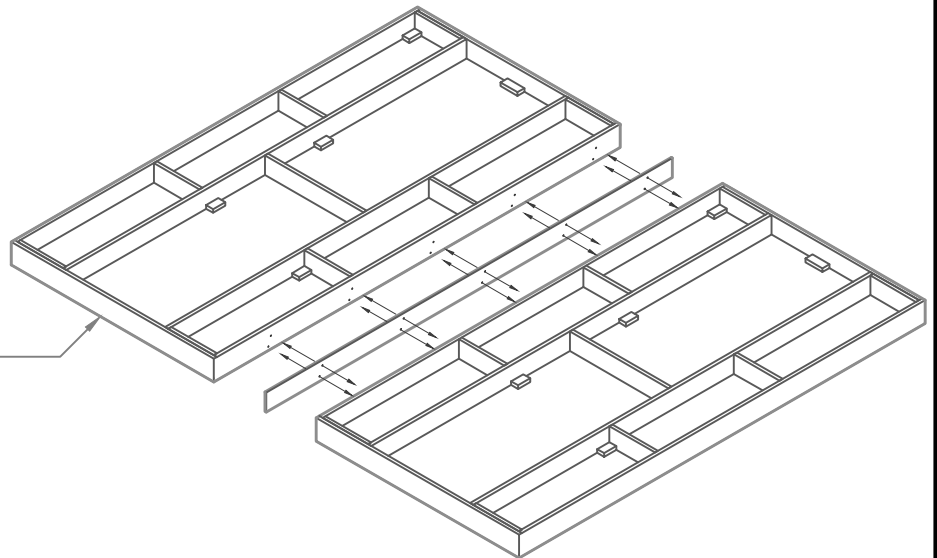
TOP



SIDE

END

3.75"



USING WOOD SCREWS, ATTACH
THE UNITS THROUGH SPACER.



99 SOUTH STREET, PASSAIC, NJ 07055
(P) 973-916-1166 (E) estimating@rpgacoustic.com

Title: RPG PLANAR REFLECTOR
JOINING MOUNTING DETAIL

Pro: RPG PRODUCT

Date: 4/4/2017

By: ACT

Scale: NTS

Comments:

Path: F:\Project Mgmt - RPG_RPG PRODUCTS\ALL PRODUCTS DRAWING\PPRW_Planarform Reflector W\CAD_DWG\Planarform Reflector Mounting