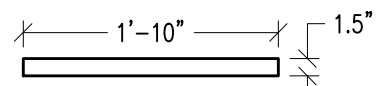
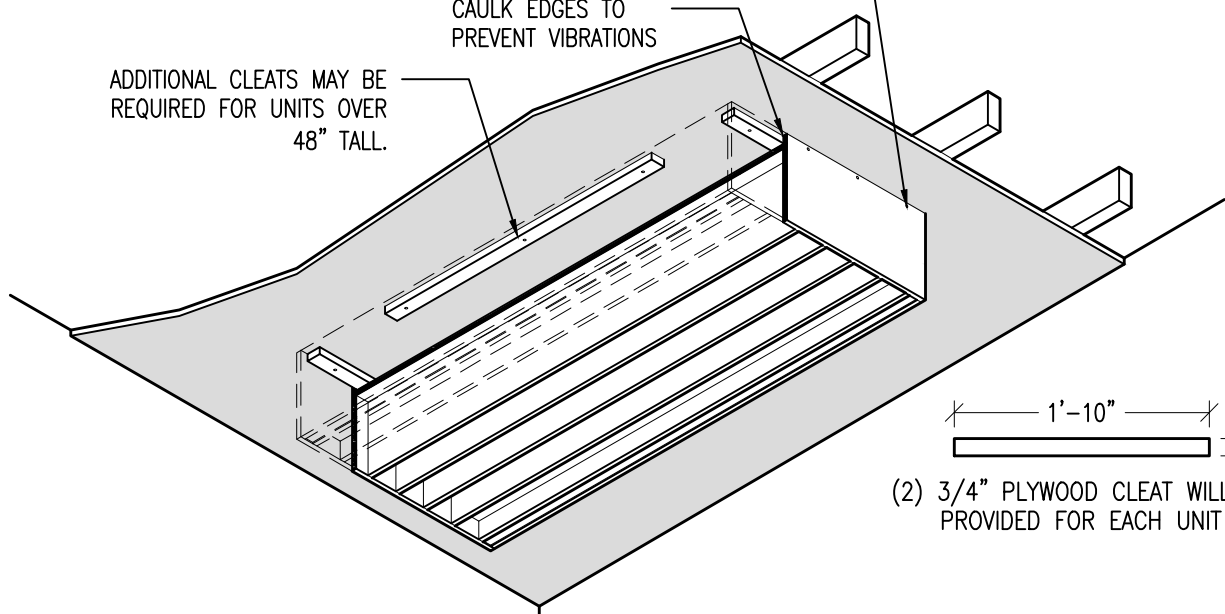


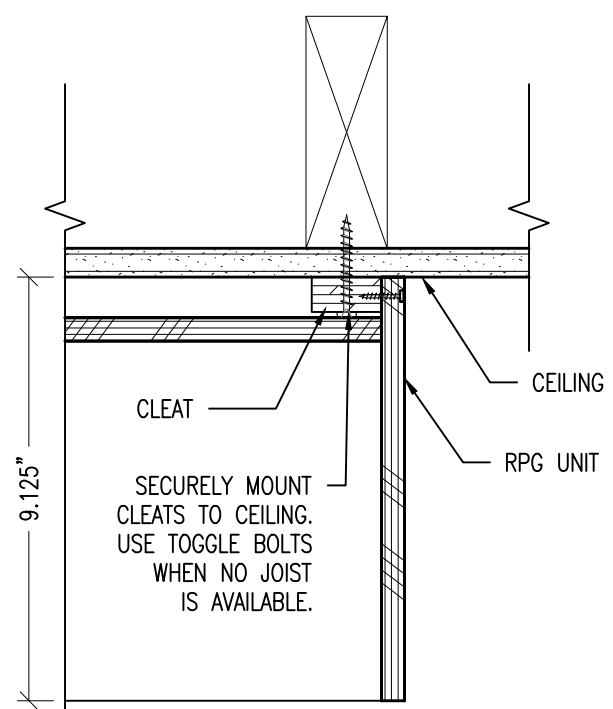
ATTACH UNITS TO CEILING MOUNTED CLEATS USING TRIM HEAD SCREWS TO MINIMIZE PENETRATIONS IN THE SIDES OF THE UNITS. USE WOOD PUTTY TO FILL HOLES.

CAULK EDGES TO PREVENT VIBRATIONS

ADDITIONAL CLEATS MAY BE REQUIRED FOR UNITS OVER 48" TALL.



(2) 3/4" PLYWOOD CLEAT WILL BE PROVIDED FOR EACH UNIT



SECTIONAL ISOMETRIC VIEW SHOWING CLEAT LOCATIONS FOR CEILING MOUNTING

SECTION AT CLEAT



99 SOUTH STREET, PASSAIC, NJ 07055
 (p) 973-916-1166 (e) estimating@rpgacoustic.com

Title: RPG QRD / DIFFRACTAL (4X2) CLEAT CEILING MOUNTING

Proj: RPG PRODUCT

Date: 10/2/2015 By: CNN Scale: NYS

Path:

Comments:
