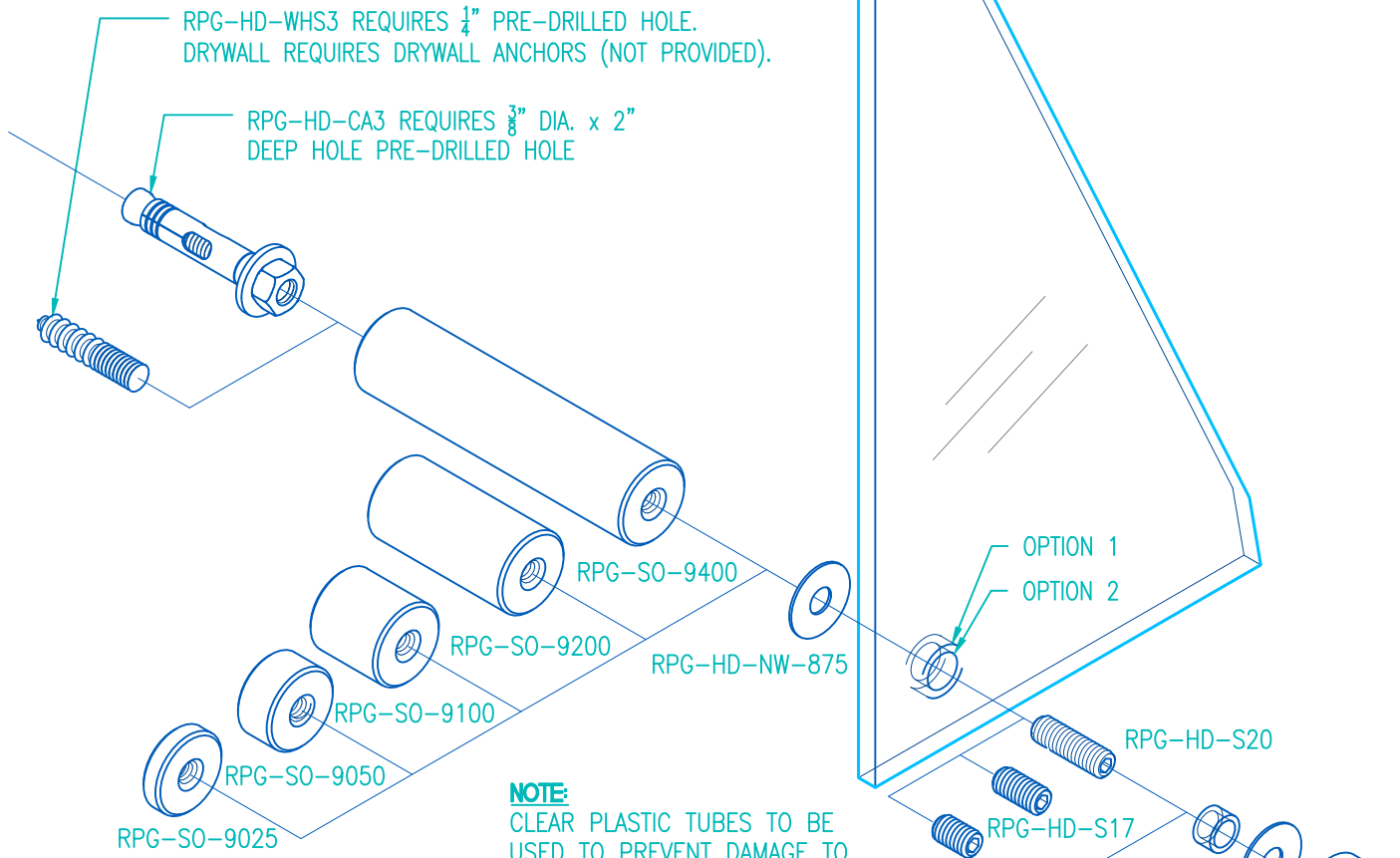


STANDOFF SYSTEM OPTIONS



RPG-HD-WHS3 REQUIRES $\frac{1}{4}$ " PRE-DRILLED HOLE.
 DRYWALL REQUIRES DRYWALL ANCHORS (NOT PROVIDED).

RPG-HD-CA3 REQUIRES $\frac{3}{8}$ " DIA. x 2"
 DEEP HOLE PRE-DRILLED HOLE

NOTE:
 CLEAR PLASTIC TUBES TO BE
 USED TO PREVENT DAMAGE TO
 PLASTIC PANELS.

HARDWARE

- | | |
|---------------|--|
| RPG-HD-CA3 | CONCRETE ANCHOR |
| RPG-HD-WHS3 | WOOD MOUNT HANGER SCREW |
| RPG-HD-NW-875 | VINYL WASHER |
| RPG-HD-S20 | 1" CUP POINT SET SCREW |
| RPG-HD-S17 | $\frac{5}{8}$ " CUP POINT SET SCREW |
| RPG-HD-S16 | $\frac{1}{2}$ " CUP POINT SET SCREW |
| RPG-HD-PT3 | $\frac{5}{16}$ " ID x $\frac{7}{16}$ " OD x $\frac{1}{4}$ " CLEAR PLASTIC TUBE |
| RPG-HD-PTLP1 | $\frac{1}{2}$ " ID x $\frac{5}{8}$ " OD x $\frac{1}{4}$ " CLEAR PLASTIC TUBE |

STANDOFFS

- | | |
|-------------|------------------------|
| RPG-SO-9400 | 4" BARREL |
| RPG-SO-9200 | 2" BARREL |
| RPG-SO-9100 | 1" BARREL |
| RPG-SO-9050 | $\frac{1}{2}$ " BARREL |
| RPG-SO-9025 | $\frac{1}{4}$ " BARREL |

CAPS

- | | |
|--------------|---|
| RPG-SO-CAP9 | $\frac{3}{8}$ " HT. x 1" DIA. ROUND CAP |
| RPG-SO-CAP11 | $\frac{1}{8}$ " HT x 1" DIA LOW PROFILE CAP |

CAP OPTION NO.1
 REQUIRES A $\frac{5}{8}$ "
 DIA HOLE IN PANEL
 (1) RPG-HD-NW-875 WASHER
 AND (1) RPG-HD-PTLP1 CLEAR
 PLASTIC TUBE.

CAP OPTION NO.2
 REQUIRES A $\frac{5}{8}$ "
 DIA. HOLE IN PANEL,
 (2) RPG-HD-NW-875 WASHERS
 AND (1) RPG-HD-PT3 CLEAR
 PLASTIC TUBE.



99 SOUTH STREET, PASSAIC, NJ 07055
 (p) 973-916-1166 (e) estimating@rpgacoustic.com

Title: STANDOFF SYSTEM
 OPTIONS

Proj: CLEARSORBER PANEL

Date: 1/30/18 By: ZAH Scale: 6"=1'-0"

Path:

Comments:

HARDWARE

- RPG-HD-CA3
- RPG-HD-NW-875
- RPG-HD-S20
- RPG-HD-PTLP1

- CONCRETE ANCHOR
- VINYL WASHER
- 1" CUP POINT SOCKET SET SCREW
- 1/2"ID x 5/8"OD x 1/4" CLEAR PLASTIC TUBE

STANDOFFS

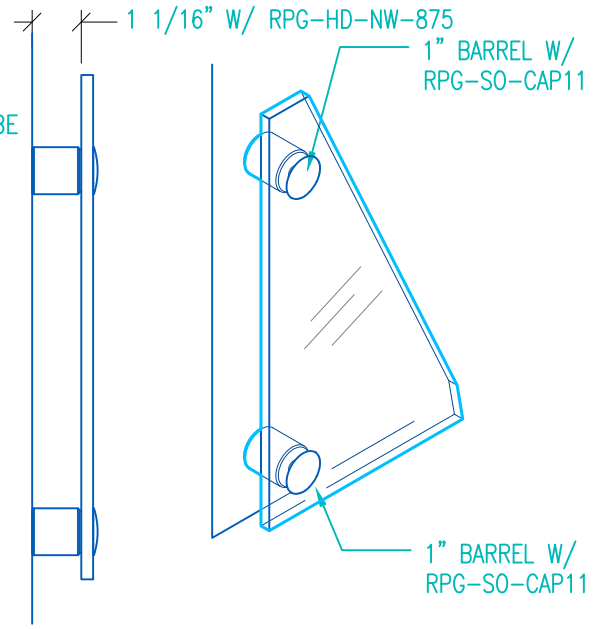
- RPG-SO-9100

- 1" BARREL

CAPS

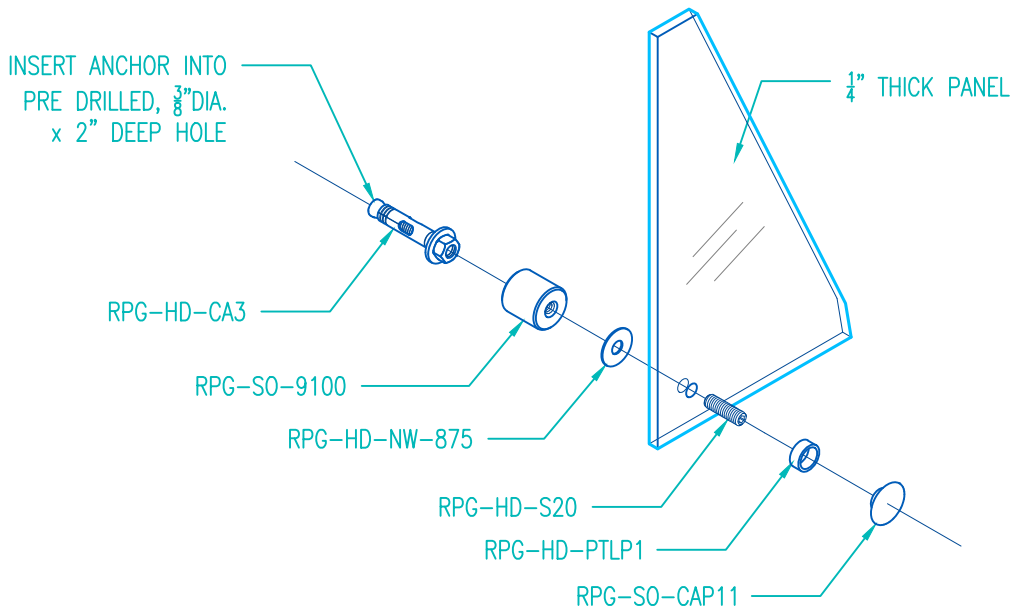
- RPG-SO-CAP11

- 1/8"HT x 1" DIA LOW PROFILE CAP
(5/8"Ø HOLE REQ'D. IF USED WITH
RPG-HD-PTLP1)



SIDE VIEW

ISOMETRIC VIEW



1" BARREL STANDOFF SYSTEM W/ LOW PROFILE CAP EXPLODED PARTS VIEW

1" STANDOFF, MASONRY WALL MOUNTING, WITH LOW PROFILE CAP



99 SOUTH STREET, PASSAIC, NJ 07055
(p) 973-916-1166 (e) estimating@rpgacoustic.com

Title: 1" STANDOFF SYSTEM
MASONRY WALL MOUNTING

Proj: CLEARSORBER PANEL

Date: 1/30/18

By: ZAH

Scale: 3/16"=1'-0"

Comments:

Path:

1" BARREL STANDOFF SYSTEM PARTS

NOTE: PARTS LISTED ARE FOR ONE STANDOFF

HARDWARE

RPG-HD-WHS3 WOOD MOUNT HANGER SCREW
 RPG-HD-NW-875 VINYL WASHER
 RPG-HD-S20 1" CUP POINT SOCKET SET SCREW

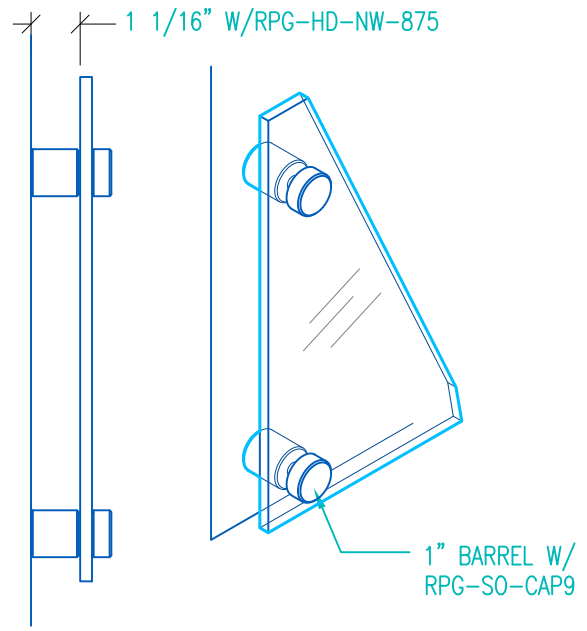
STANDOFFS

RPG-SO-9100 1" BARREL

CAPS

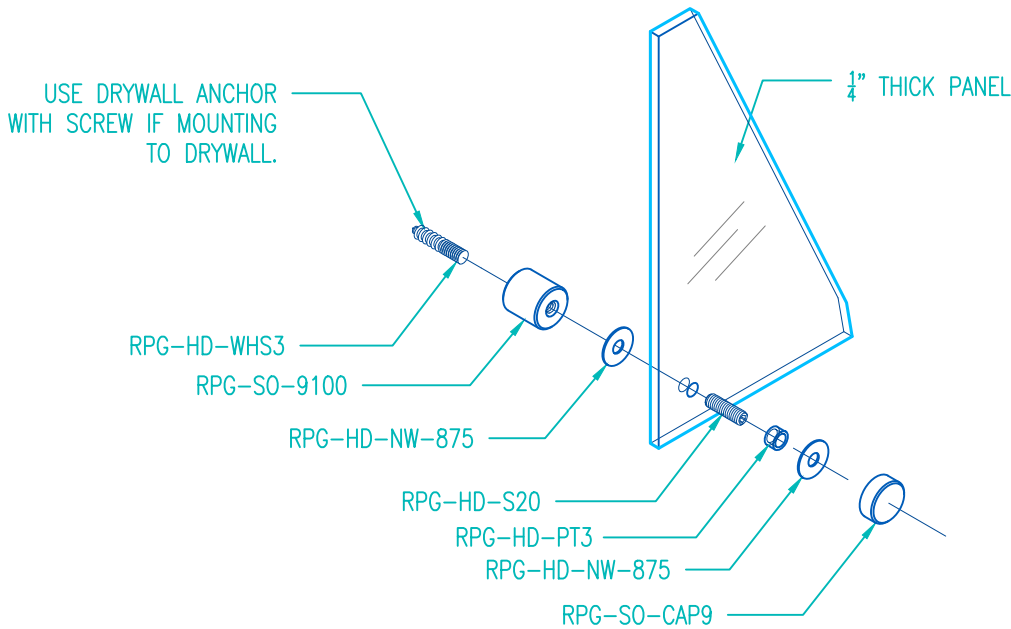
RPG-SO-CAP9 3/8"HT. x 1" DIA. ROUND CAP

NOTE: DRYWALL ANCHOR NOT PROVIDED.



SIDE VIEW

ISOMETRIC VIEW



1" BARREL STANDOFF SYSTEM EXPLODED PARTS VIEW

1" STANDOFF, DRYWALL WALL MOUNTING, WITH REGULAR CAP



99 SOUTH STREET, PASSAIC, NJ 07055
 (p) 973-916-1166 (e) estimating@rpgacoustic.com

Title: 1" STANDOFF SYSTEM
 DRYWALL MOUNTING

Proj: CLEARSORBER PANEL

Date: 1/30/18

By: ZAH

Scale: 3/16"=1'-0"

Comments:

Path: