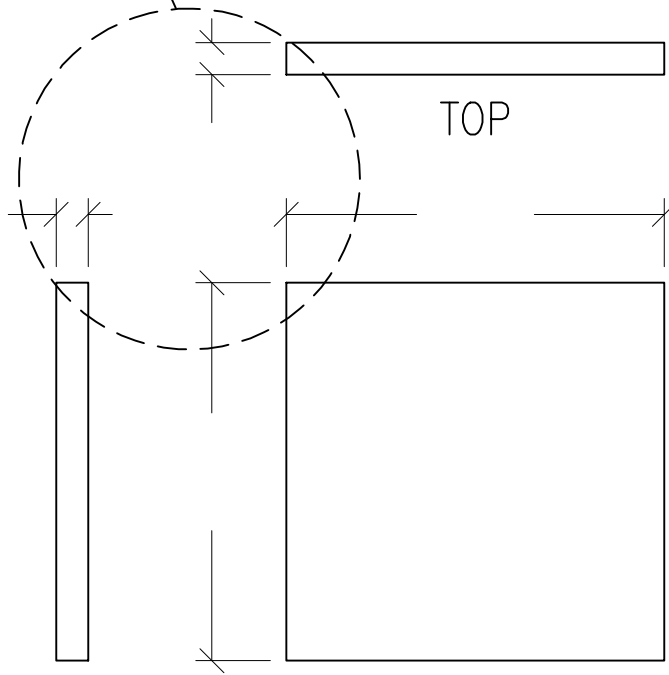


MITERED



TOP

SIDE

FRONT



ACOUSTICAL SYSTEMS - LLC
 99 SOUTH STREET, PASSAIC, NJ 07055
 (P) 973-916-1166 (E) estimating@rpgacoustic.com

Title: ABSORBOR PANEL CUTSHEET		Label: ABSP	
Proj:	JOB#:	Line Item:	QTY.
Date:	By: ACT	#	
Path: F:\Project Mgmt - RPG__RPG PRODUCTS\ALL PRODUCTS DRAWING\ABSP_Absorbor Panel New folder\Product Template\ABSP		Scale: NTS	