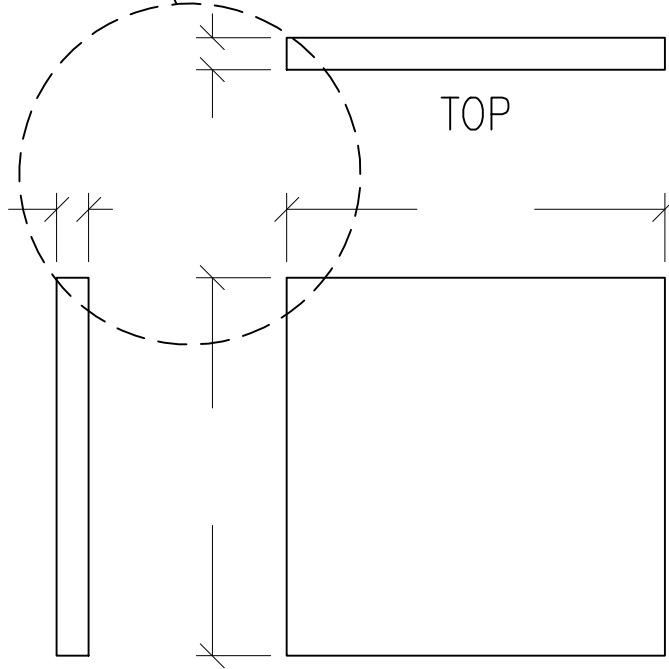


RADIUSSED



TOP

SIDE

FRONT



99 SOUTH STREET, PASSAIC, NJ 07055  
 (P) 973-916-1166 (E) estimating@rpgacoustic.com

Title: ABSORBOR PANEL  
 CUTSHEET

Label:

ABSP

Proj:

JOB#:

Line Item:

QTY.

Date:

By: ACT

Scale: NTS

#

Path: F:\Project Mgmt - RPG\\_\_RPG PRODUCTS\ALL PRODUCTS DRAWING\ABSP\_Absorbor Panel New folder\Product Template\ABSP