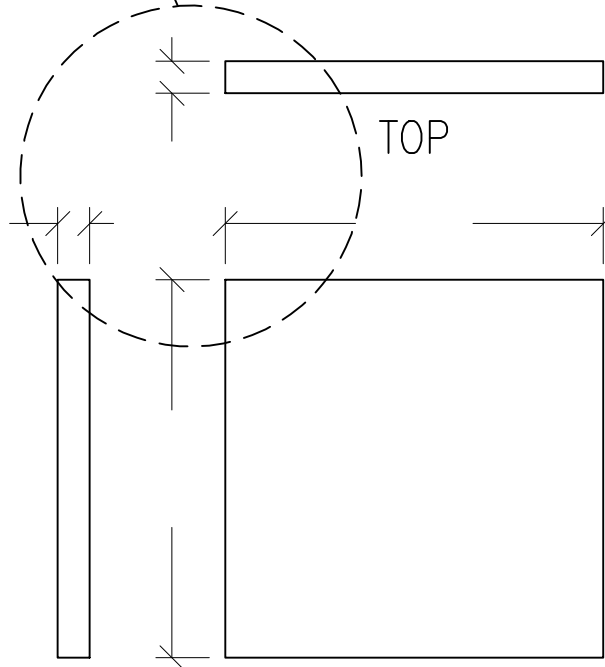


SQUARE
EDGES



TOP

SIDE

FRONT



99 SOUTH STREET, PASSAIC, NJ 07055
(P) 973-916-1166 (E) estimating@rpgacoustic.com

Title: *ABSORBOR PANEL*
CUTSHEET

Label: **ABSP**

Proj: _____

JOB#: _____

Line Item: _____

QTY. _____

Date: _____

By: *ACT*

Scale: *NYS*

Path: *F:\Project Mgmt - RPG__RPG PRODUCTS\ALL PRODUCTS DRAWING\ABSP_Absorbor Panel New folder\Product Template\ABSP*