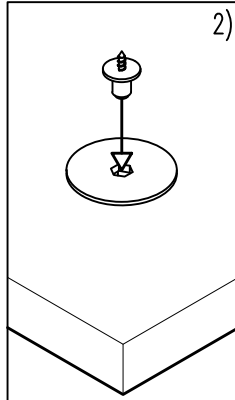


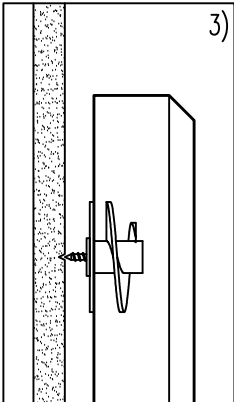
1)

ATTACH ROTOFAST™ ANCHOR



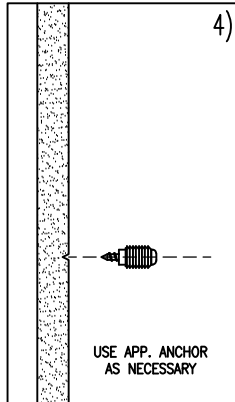
2)

INSERT MARKER SCREW



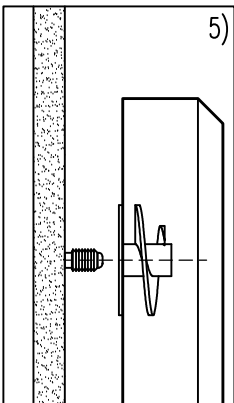
3)

MARK WALL



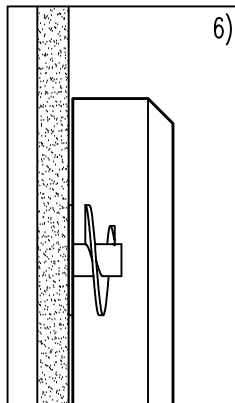
4)

MOUNT STUDS



5)

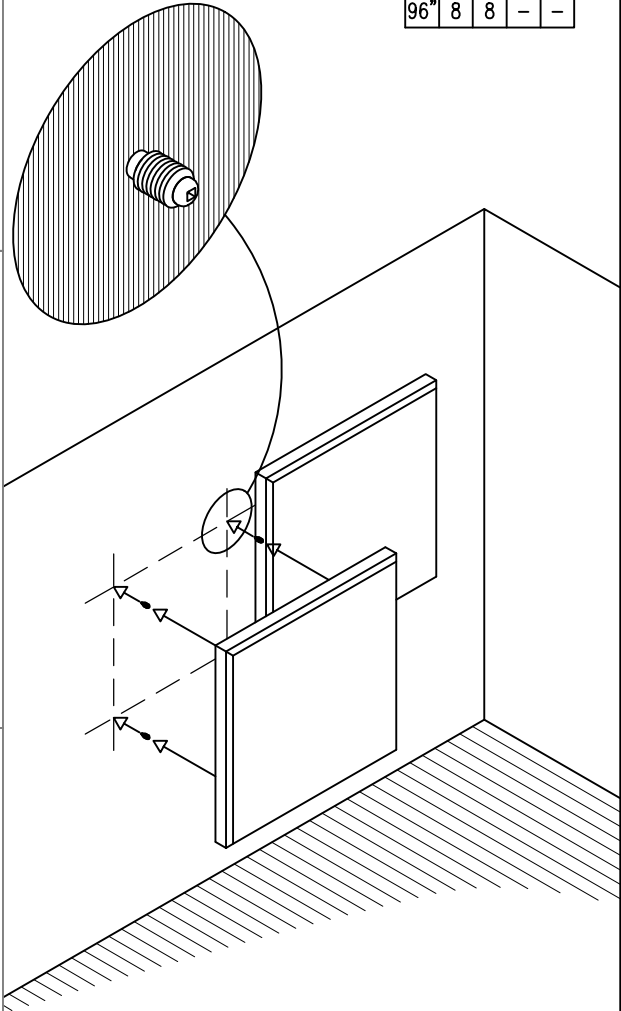
REMOVE MARKER SCREW



6)

SNAP PANEL ONTO STUDS

QTY./LENGTH				
	24"	48"	72"	96"
24"	4	4	6	8
48"	4	4	6	8
72"	6	6	-	-
96"	8	8	-	-



99 SOUTH STREET, PASSAIC, NJ 07055
 (p) 973-916-1166 (e) estimating@rpgacoustic.com

Title: RPG ABSORBOR PANEL MOUNTING
 # 4 ROTOFAST SNAP - ON

Proj: PROJECT

Date: 1/3/17

By: CNN

Scale: NTS

Path:

Comments:
