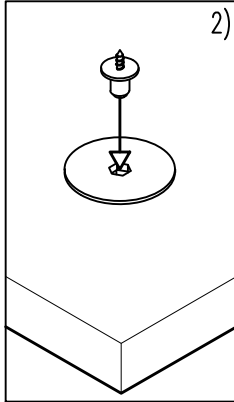


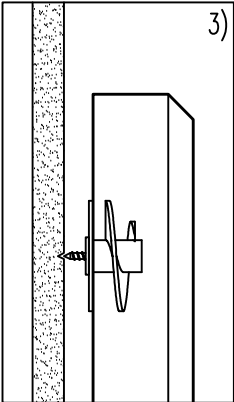
1)

ATTACH ROTOFAST™ ANCHOR



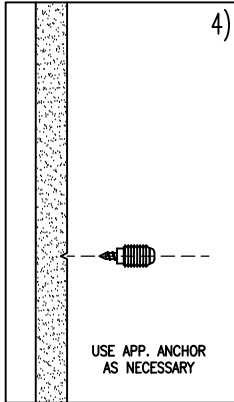
2)

INSERT MARKER SCREW



3)

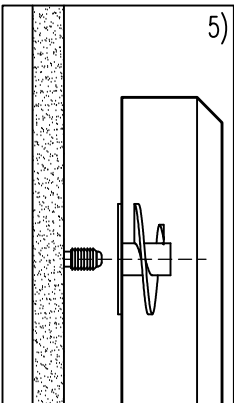
MARK WALL



4)

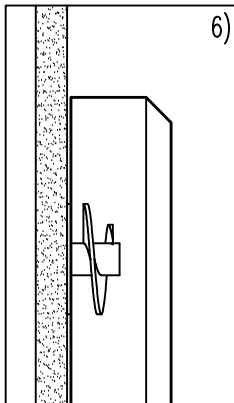
MOUNT STUDS

USE APP. ANCHOR AS NECESSARY



5)

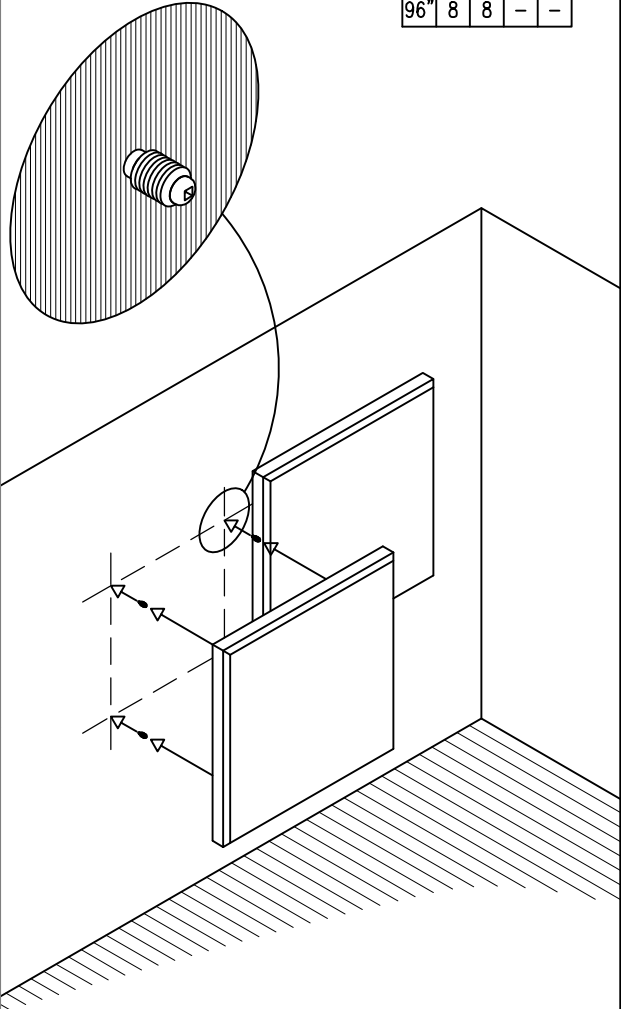
REMOVE MARKER SCREW



6)

SNAP PANEL ONTO STUDS

QTY./LENGTH				
	24"	48"	72"	96"
24"	4	4	6	8
48"	4	4	6	8
72"	6	6	-	-
96"	8	8	-	-



99 SOUTH STREET, PASSAIC, NJ 07055  
 (p) 973-916-1166 (e) estimating@rpgacoustic.com

Title: RPG B.A.D PANEL MOUNTING  
 # 4 ROTOFAST SNAP-ON

Proj: RPG PRODUCT

Date: 1/10/17

By: CNN

Scale: NTS

Comments:

---



---



---



---



---

Path: F:\Project Mgmt - RPG\RPG PRODUCTS\... Under reviewing\... BADP\_BAD Panel new folder\CAD DWG\B.A.D Mounting