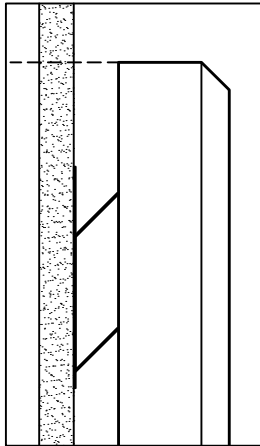


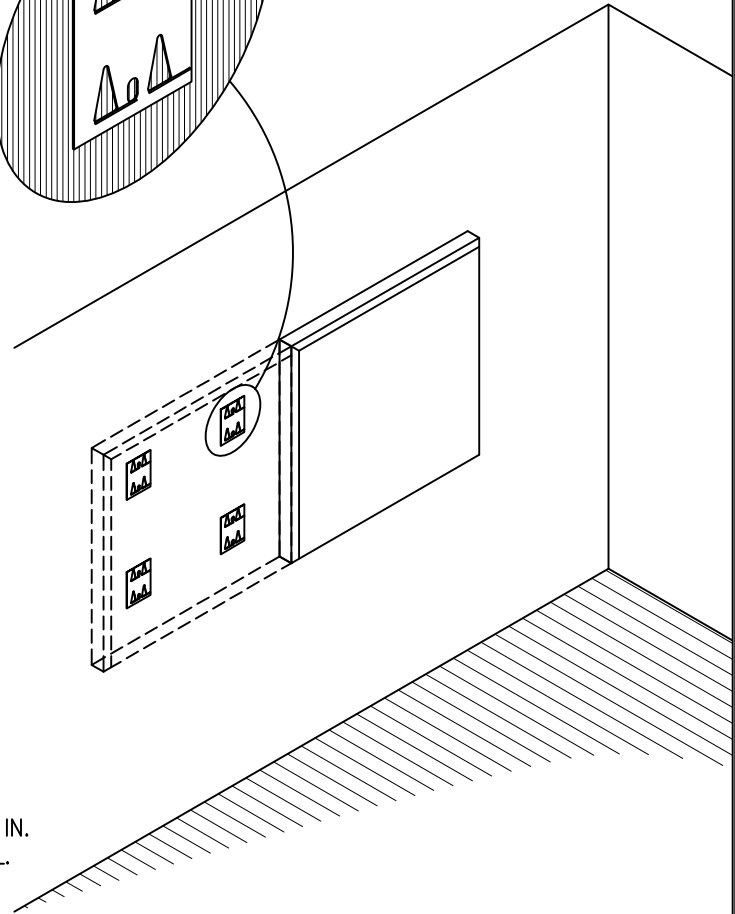
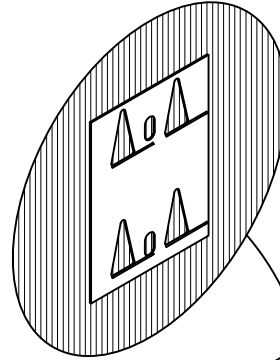
ATTACH IMPALING CLIPS TO WALL.

QTY./LENGTH				
	24"	48"	72"	96"
24"	4	4	6	8
48"	4	4	6	8
72"	6	6	-	-
96"	8	8	-	-

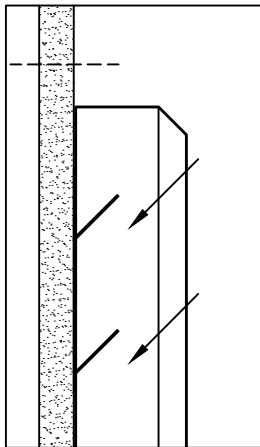


DRAW A LINE 1" ABOVE DESIRED HEIGHT.

GENTLY REST PANEL AGAINST CLIPS MAINTAINING LEVEL WITH LINE.



PUSH FIRMLY DOWN & IN. PIERCE BACK OF PANEL.



**RPG** ACOUSTICAL SYSTEMS, LLC

99 SOUTH STREET, PASSAIC, NJ 07055  
 (p) 973-916-1166  
 (e) [estimating@rpgacoustic.com](mailto:estimating@rpgacoustic.com)

Title: RPG BROADSORBOR MOUNTING  
 # 1 IMPALING CLIP

Proj: PROJECT

Date: 1/10/17

By: SNL

Scale: NTS

Comments:

---



---



---



---

Path: C:\Users\Sarah\PRODUCTS\Product with new and old template\BDSB\_Broadsorbor Panel new folder\CAD DWG\Broadsorbor Mounting