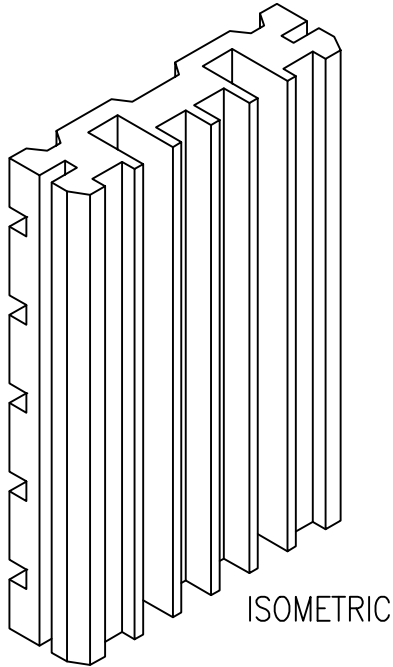
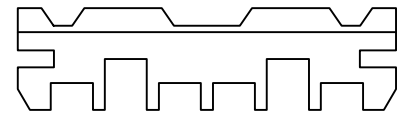


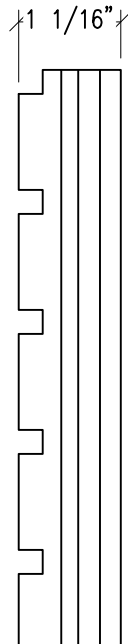
NOTE: REPRESENTATIVE OF SIZES AND DIMENSIONS OF PRODUCT ONLY. PROPRIETARY WELL DEPTHS OBSCURED.



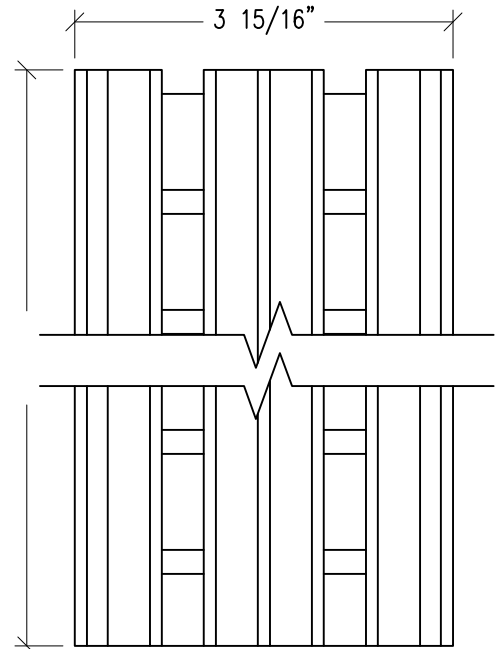
ISOMETRIC



TOP



SIDE



FRONT



99 SOUTH STREET, PASSAIC, NJ 07055
(P) 973-916-1166 (E) estimating@rpgacoustic.com

Title: FLUTTERFREE - SLOTTED
CUTSHEET

Label: FLFS

Proj:

JOB#:

Line Item: QTY.

Date:

By: ACT

Scale: NTS

#

Path: F:\Project Mgmt - RPG\RPG PRODUCTS\ALL PRODUCTS DRAWING\FLFR FlutterFree\Product Template\FLFR