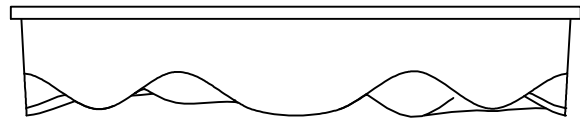
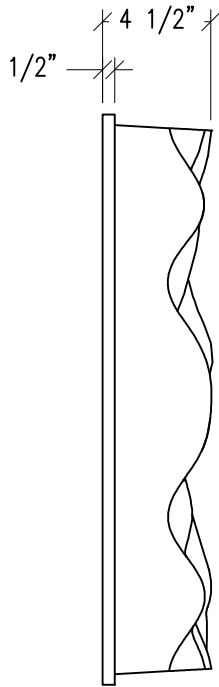


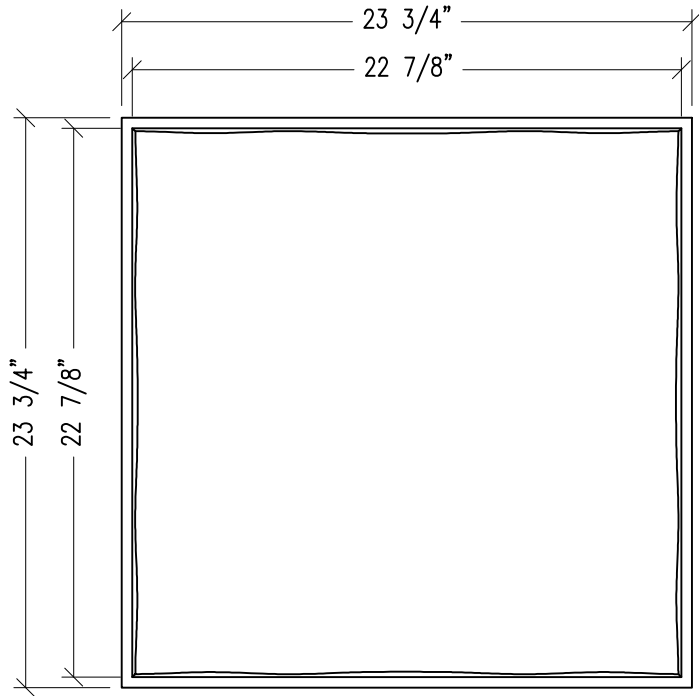
ISOMETRIC



TOP



SIDE



FRONT



99 SOUTH STREET, PASSAIC, NJ 07055
 (P) 973-916-1166 (E) estimating@rpgacoustic.com

Title: HARMONIX G CUTSHEET		Label: HRMXG	
Proj:	JOB#:	Line Item:	QTY.
Date:	By: ACT	#	
Path: F:\Project Mgmt - RPG__RPG PRODUCTS\ALL PRODUCTS DRAWING\HRMXG_Harmonix G\Product Template\HRMXG		Scale: NTS	