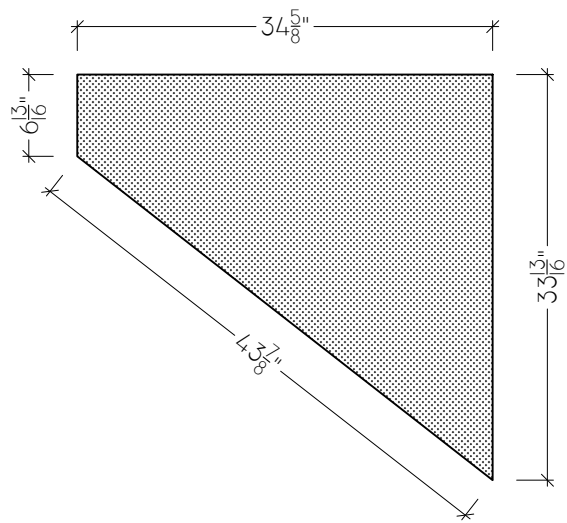
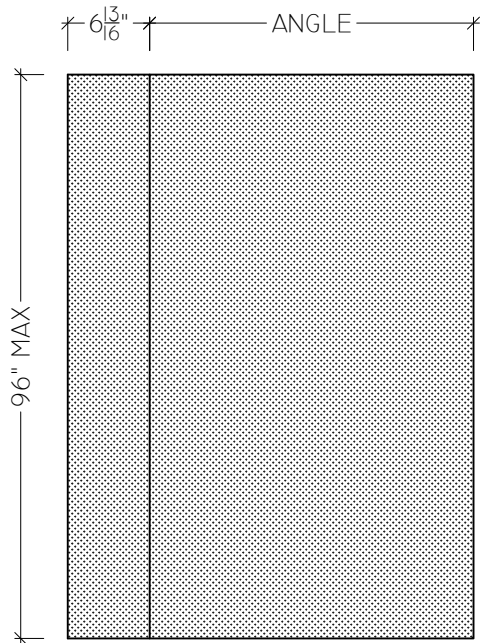


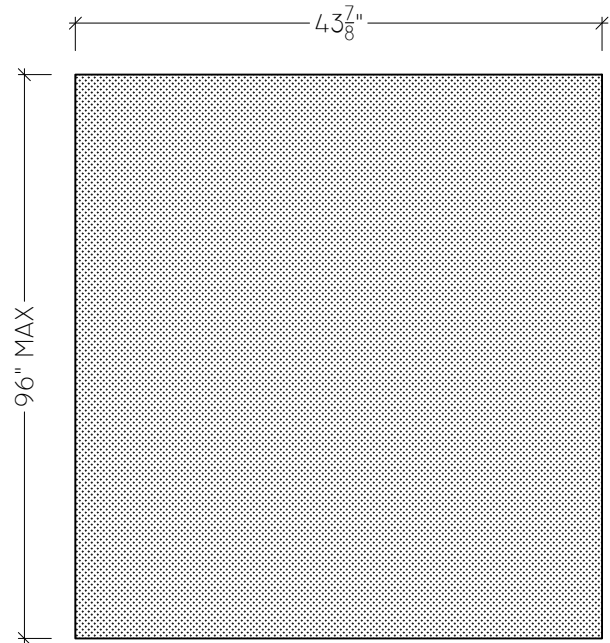
ISOMETRIC



TOP



SIDE



FRONT

SIZE: _____
 FABRIC COLOR: _____

 SCRIM COLOR: _____

PRODUCT NOTES:
 -RPG RECOMMENDED HEIGHT 8',
 MAXIMUM HEIGHT 8'.
 -UNIT IS FULL FABRIC WRAPPED, ALL
 SIDES
 -STANDARD CONSTRUCTION



99 SOUTH STREET, PASSAIC, NJ 07055
 (P) 973-916-1166 (E) estimating@rpgacoustic.com

Title: <i>MODEX EDGE</i> CLIP SHEET		Label: <i>MDXE</i>	
Proj: <i>RPG PRODUCT</i>		JOB#: -	Line Item: -
Date: <i>09.20.2019</i>	By: <i>CV</i>	Scale:	QTY: -
Path: <i>F:\Project Mgmt - RPG\Job #10173 - Production Samples\Drawings\Shop Drawings - CAD\10173- Modex Edge</i>			