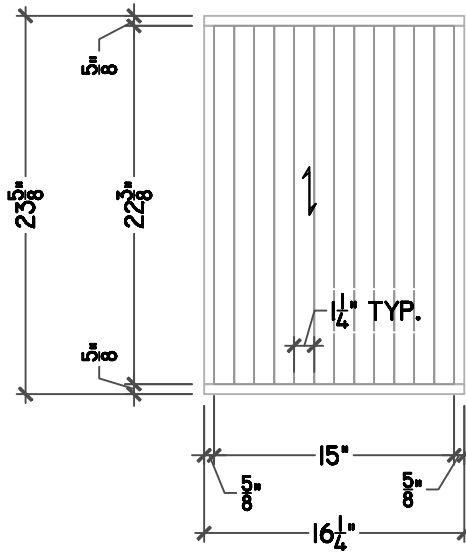
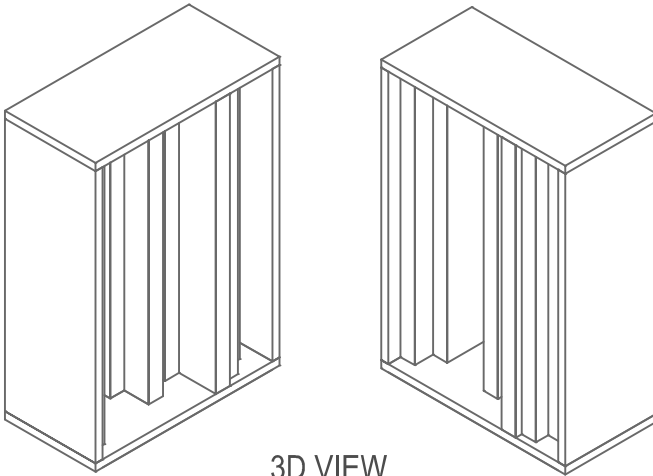


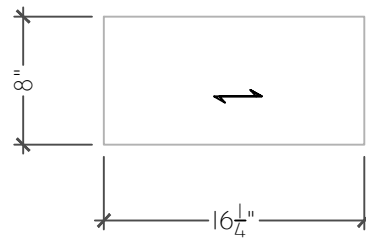
SIDE ELEVATION



FRONT ELEVATION



3D VIEW



PLAN VIEW



99 SOUTH STREET, PASSAIC, NJ 07055
(P) 973-916-1166 (E) estimating@rpgacoustic.com

Title: OPT1STEP
CUTSHEET

Label:

OPT

Proj:

JOB#:

Line Item: QTY.

Date:

By: GPP

Scale: NTS

#

Path: F:\Project Mgmt - RPG\RPG PRODUCTS\ALL PRODUCTS DRAWING\OPT1\3x3 16X23_629 prototype\RPG - OPT