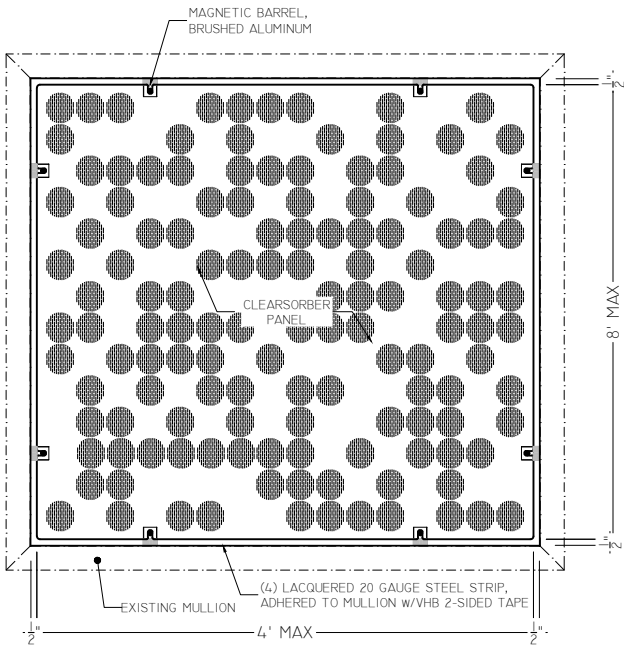


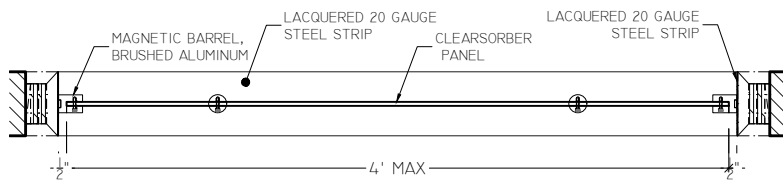
NOTES:

-HARDWARE ON SIDES RECOMMENDED FOR PANELS OVER 2' HEIGHT, NUMBER AND LOCATION DETERMINATE BY PANEL HEIGHT AND LOCATION.

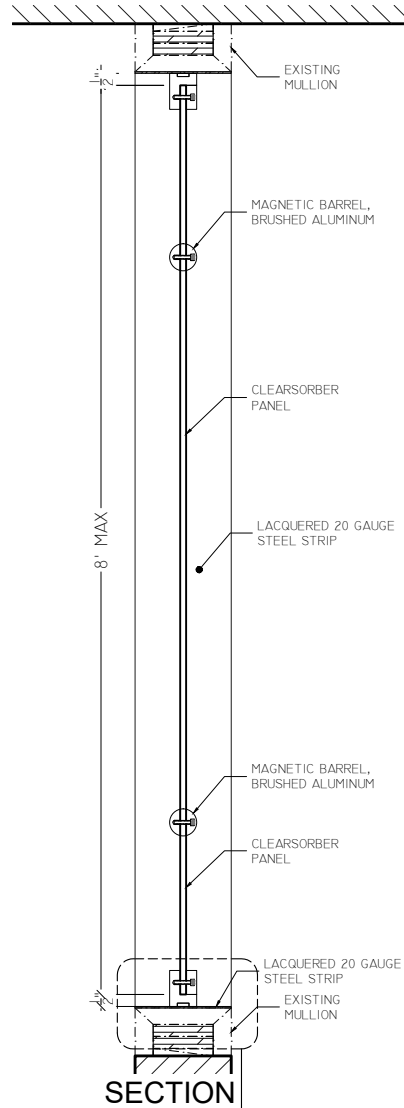
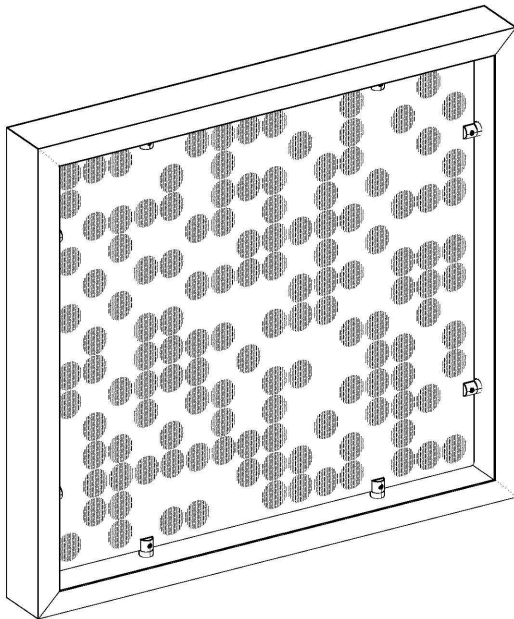
-GENERAL RECOMMENDATION IS 1 ATTACHMENT POINT FOR EVERY 2FT OF PANEL PERIMETER.



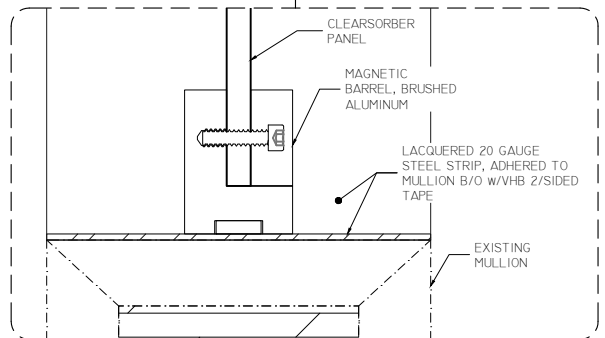
FRONT VIEW



PLAN VIEW



SECTION



99 SOUTH STREET, PASSAIC, NJ 07055
(P) 973-916-1166 (E) estimating@rpgacoustic.com

Title: **CLEARSORBER PANEL**
PENETRATION FREE MULLION MOUNT

Label:

Proj: *RPG PRODUCT*

JOB#: 10454

Line Item: QTY.

Date: 3/13/20

By: CV

Scale: N15

##

-

Path: F:\Project Mgmt - RPG\Job #10454 - Product Development\Drawings\Shop Drawings - CAD\10454 - ClearSorbent Panel