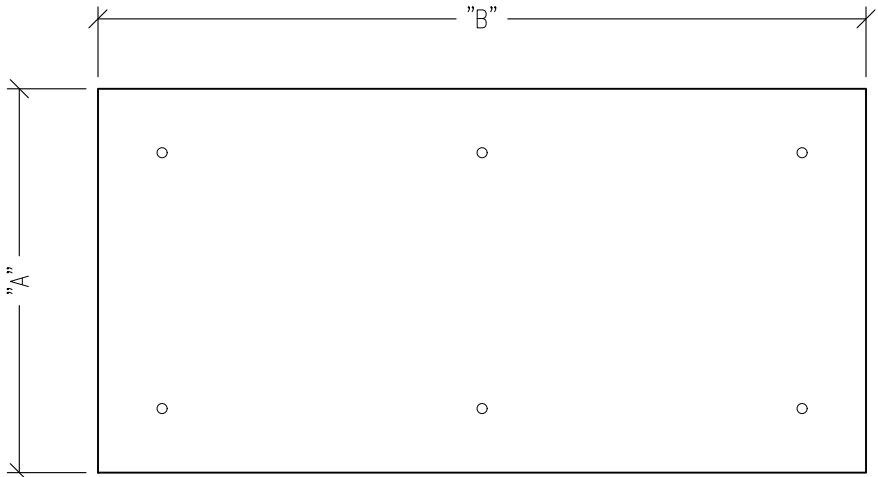
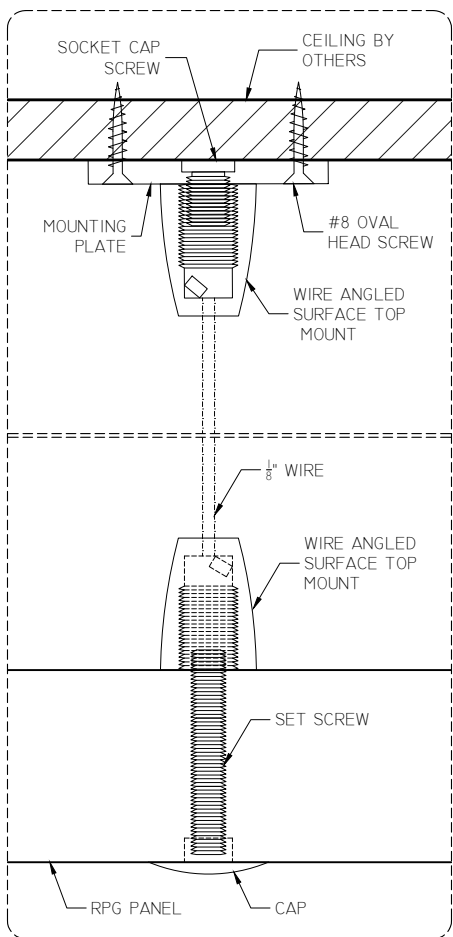
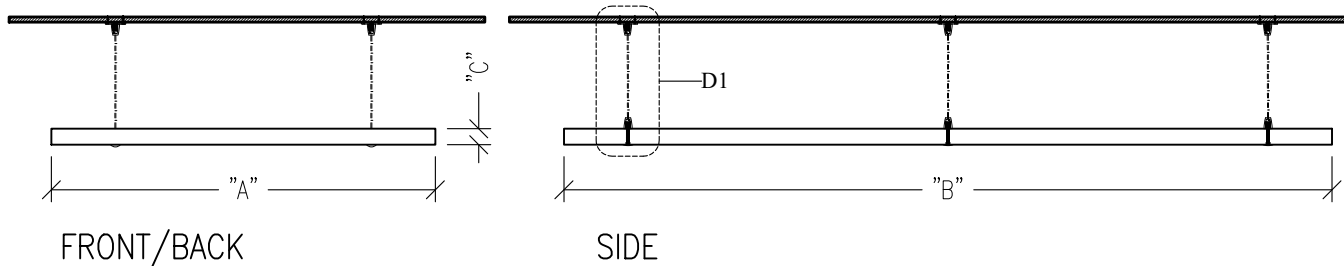


ARCHITECT/GC/CLIENT NOTE:
 -STRUCTURE OR APPROVED SUBSTRATE BY
 THE STRUCTURAL ENGINEER



BOTTOM FACE

	QTY/LENGTH			
A/B	24"	48"	72"	96"
24"	-	-	5	8
48"	-	4	6	8
72"	5	6	-	-
96"	8	8	-	-

THK (C)	
1"	
2"	
3"	
4"	

NOTE:
 -MOUNTING HARDWARE POINTS DEPENDS
 ON SIZES AND WEIGHT OF PANELS
 -MOUNTING HARDWARE PROVIDED BY RPG

DETAIL (D1)



Title: RPG PANEL		Label: -	
MOUNTING HARDWARE			
Proj:		JOB#:	
Date: -	By: CV	Scale: NTS	Line Item: #1
Path: F:\Project Mgmt - RPG\Job #10455 - Developmental Drafting\Drawings\Shop Drawings - CAD\10455 RPG Panel		QTY: -	