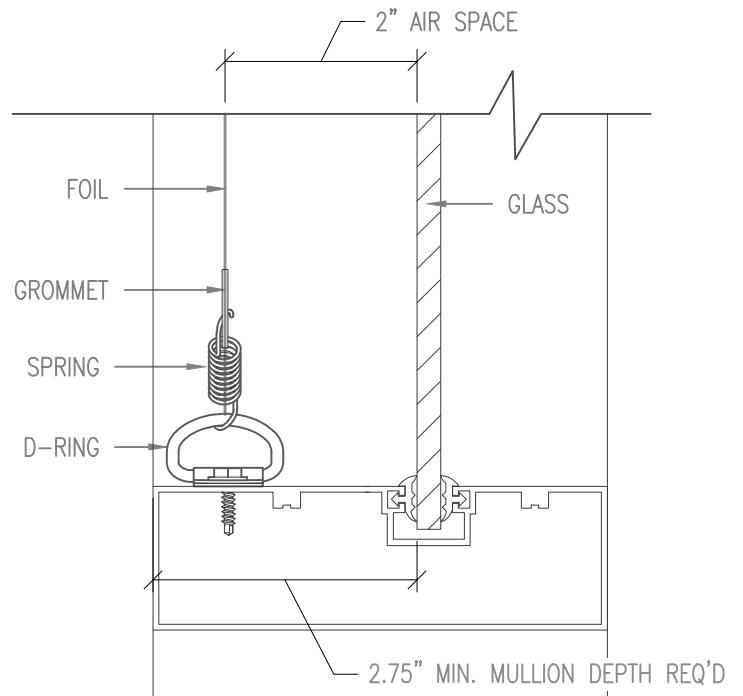
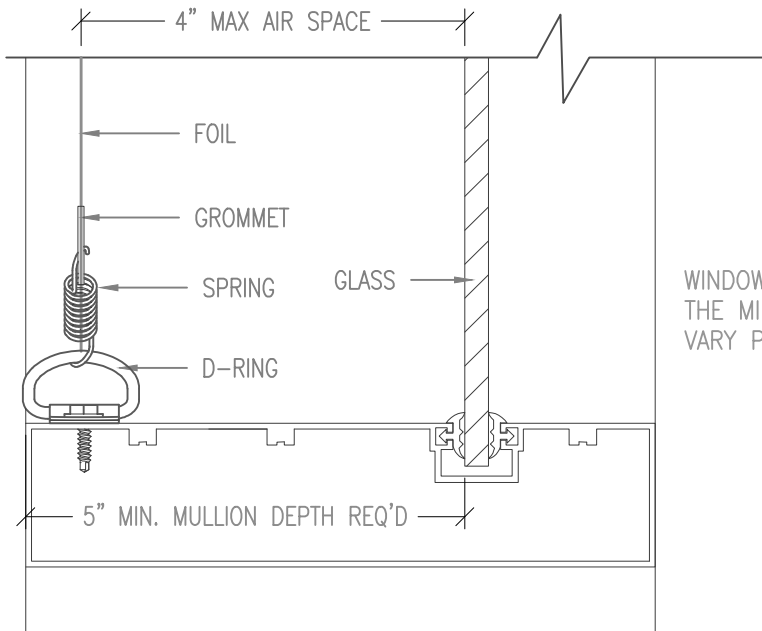


SINGLE LAYER WITH 1" TO GLASS



SINGLE LAYER WITH 2" TO GLASS



SINGLE LAYER WITH 4" TO GLASS

WINDOW MULLIONS ARE SHOWN ILLUSTRATIVELY AT THE MIN. DEPTHS. ACTUAL MULLION DEPTH WILL VARY PER APPLICATION.

D-RING/SPRING/GROMMET MIN. MOUNTING REQUIREMENTS



99 SOUTH STREET, PASSAIC, NJ 07055
(p) 973-916-1166 (e) estimating@rpgacoustic.com

Title: CLEARSORBER FOIL-SINGLE
DIRECT MOUNT OPT. 1

Proj: RPG PRODUCT

Date: 6/18/20

By: ZAH

Scale: 1-1/2" = 1'-0"

Comments:

Path: F:\Project Mgmt - RPG\PROJECTS\ALL PRODUCTS DRAWING\CLEARSORBER Foil\1-AutoCAD Drawings\Mounting\Window Mounting - Direct Mount Options