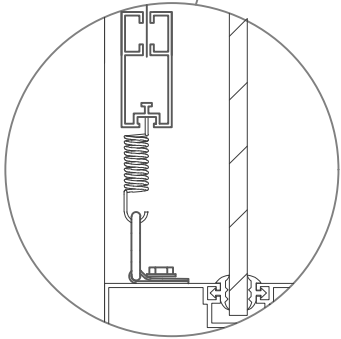


NOTES:

1. IF WIDER THAN 3', USE 3 SPRINGS PER HEMBAR.
2. 8' MAX. LENGTH

SECTION

FRONT VIEW



NO SCALE

CLEARSORBER™ FOIL (SINGLE LAYER)  
DIRECT MOUNT TO WINDOW MULLION  
D-RING/SPRING/HEMBAR

INSTALLATION

1. SECURE RPG D-RINGS DIRECTLY TO WINDOW MULLION, ENSURING THAT THEY LINE UP WITH PREDRILLED SPRING HOLES IN HEMBAR, WITH SELF TAPPING SCREWS BY OTHERS.
2. HOOK SPRINGS INTO TOP HEMBAR AND HANG ONTO D-RINGS. HEMBAR SHOULD BE POSITIONED SO THAT SPRINGS ARE BEHIND HEMBAR.
3. PULL BOTTOM HEMBAR, WITH SPRINGS ATTACHED, TAUGHT AND HOOK FREE END OF SPRING ONTO D-RING.

NOTE:  
WINDOW MULLIONS ARE SHOWN ILLUSTRATIVELY. ACTUAL MULLION DEPTH WILL VARY BASED ON APPLICATION.  
ALL HARDWARE PROVIDED UNLESS OTHERWISE NOTED.



99 SOUTH STREET, PASSAIC, NJ 07055  
(p) 973-916-1166 (e) estimating@rpgacoustic.com

Title: CLEARSORBER FOIL-SINGLE  
DIRECT MOUNT OPT. 2

Proj: RPG PRODUCT

Date: 6/18/20

By: ZAH

Scale: 1-1/2" = 1'-0"

Comments:

---



---



---



---

Path: F:\Project Mgmt - RPG\PROJECTS\ALL PRODUCTS DRAWING\CLRF-Clearsorber Foil\AutoCAD Drawings\Mounting\Window Mounting - Direct Mount Options