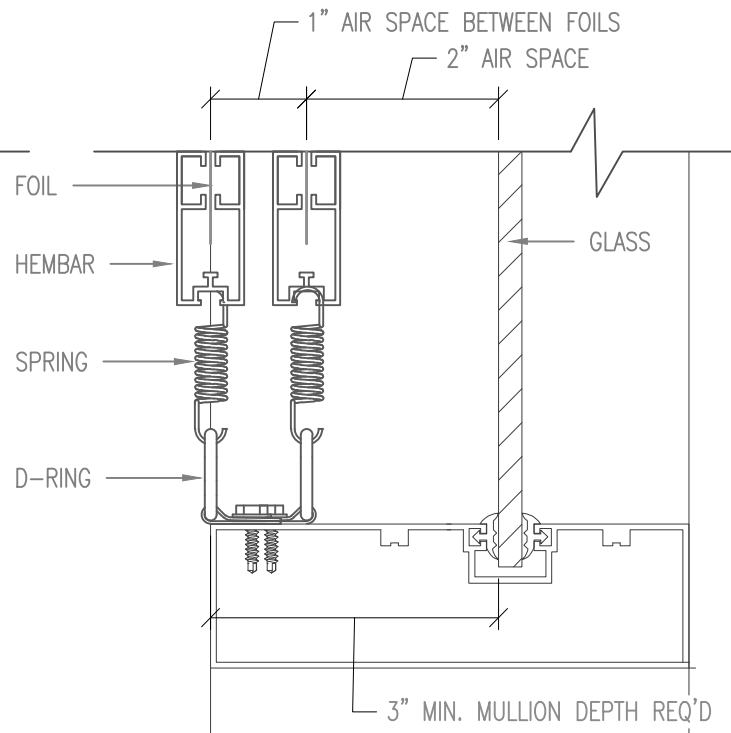
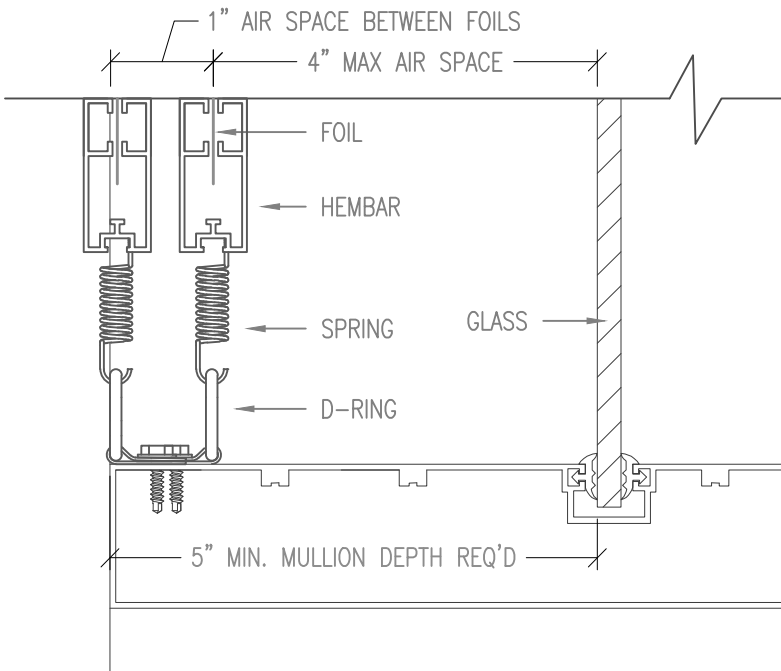


DUAL LAYER WITH 1" TO GLASS



DUAL LAYER WITH 2" TO GLASS



DUAL LAYER WITH 4" TO GLASS

WINDOW MULLIONS ARE SHOWN ILLUSTRATIVELY AT THE MIN. DEPTHS. ACTUAL MULLION DEPTH WILL VARY PER APPLICATION.

D-RING/SPRING/HEMBAR MIN. MOUNTING REQUIREMENTS



99 SOUTH STREET, PASSAIC, NJ 07055
(p) 973-916-1166 (e) estimating@rpgacoustic.com

Title: CLEARSORBER FOIL-DUAL
DIRECT MOUNT OPT. 2

Proj: RPG PRODUCT

Date: 6/18/20

By: ZAH

Scale: 1-1/2" = 1'-0"

Comments:

Path: F:\Project Mgmt - RPG\PROJECTS\ALL PRODUCTS DRAWING\CLRF_Clearsorber Foil\1-AutoCAD Drawings\Mounting\Window Mounting - Direct Mount Options