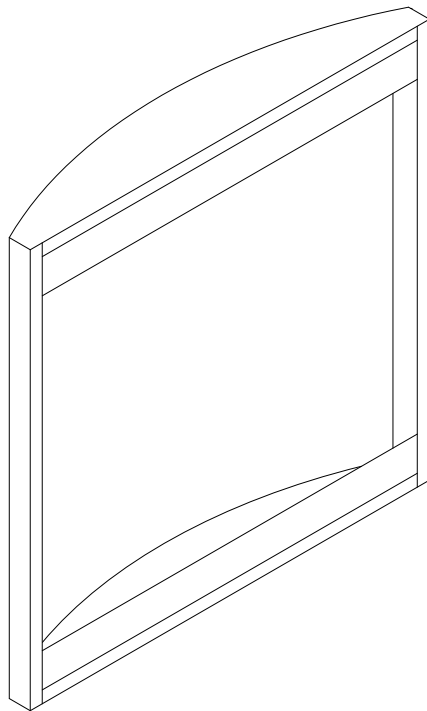
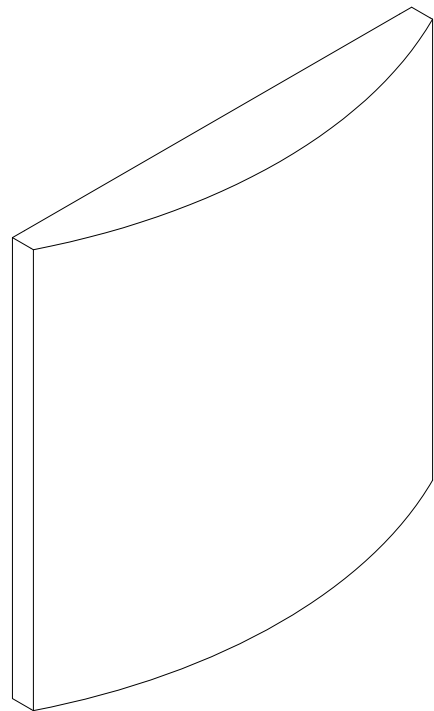


FRENCH CLEAT MOUNTING(NTS)



ISOMETRIC BACK



ISOMETRIC FRONT



99 SOUTH STREET, PASSAIC, NJ 07055
 (P) 973-916-1166 (E) estimating@rpgacoustic.com

Title: RPG BAD ARC
 FRENCH CLEAT MOUNTING

Proj: RPG PRODUCT

Date: 8/19/22

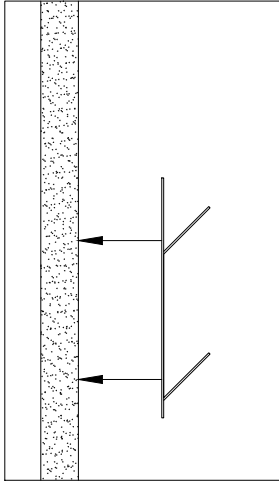
By: HTP

Scale: NTS

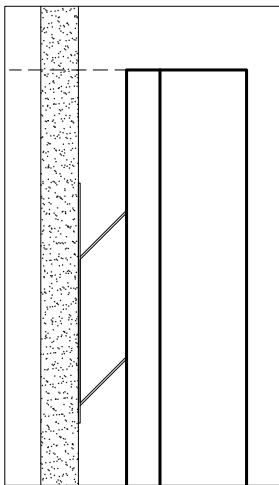
Line Item:

QTY.

Path: F:\Project Mount - RPG\RPG PRODUCTS\ALL PRODUCTS DRAWING\BADA_BAD Arc\1-AutoCAD Drawings\Mounting\BAD ARC - Mounting RI

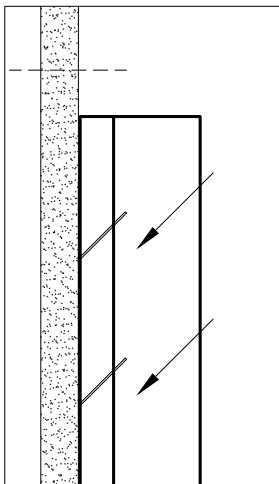


ATTACH IMPALING CLIPS TO WALL.

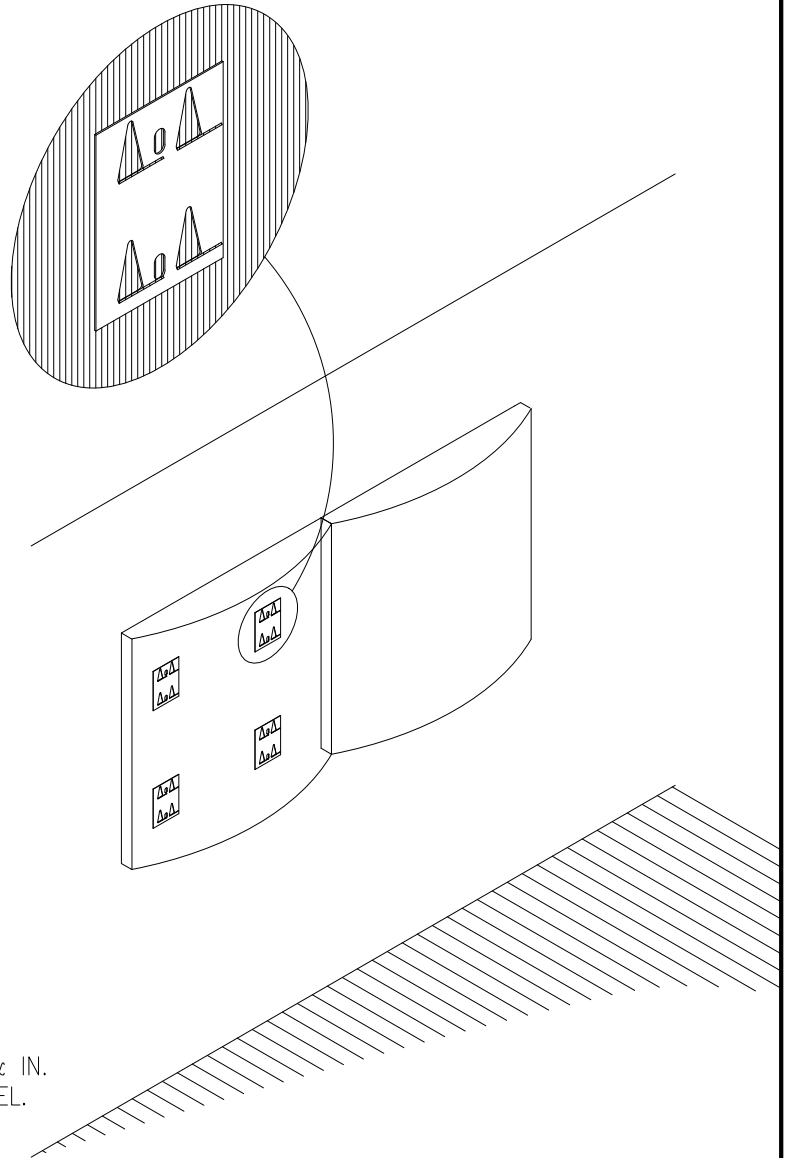


DRAW A LINE 1" ABOVE DESIRED HEIGHT.

GENTLY REST PANEL AGAINST CLIPS MAINTAINING LEVEL WITH LINE.



PUSH FIRMLY DOWN & IN. PIERCE BACK OF PANEL.



99 SOUTH STREET, PASSAIC, NJ 07055
(P) 973-916-1166 (E) estimating@rpgacoustic.com

Title: RPG BAD ARC
IMPALING CLIP MOUNTING

Proj: RPG PRODUCT

Date: 8/19/22

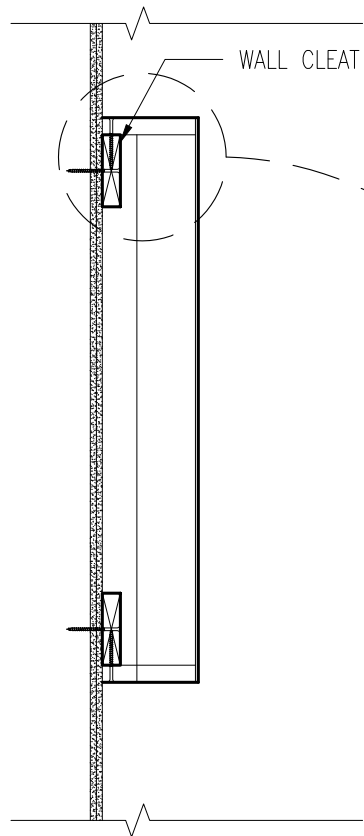
By: HTP

Scale: NTS

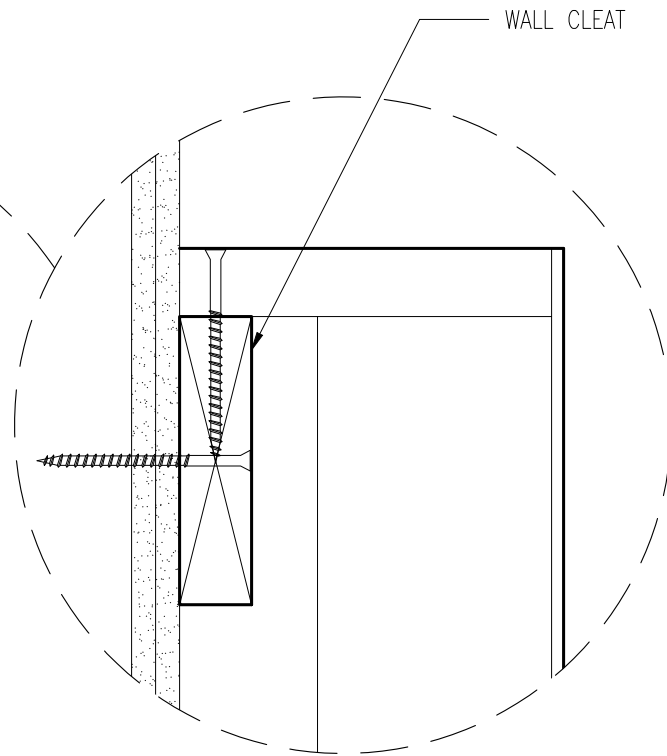
Line Item:

QTY.

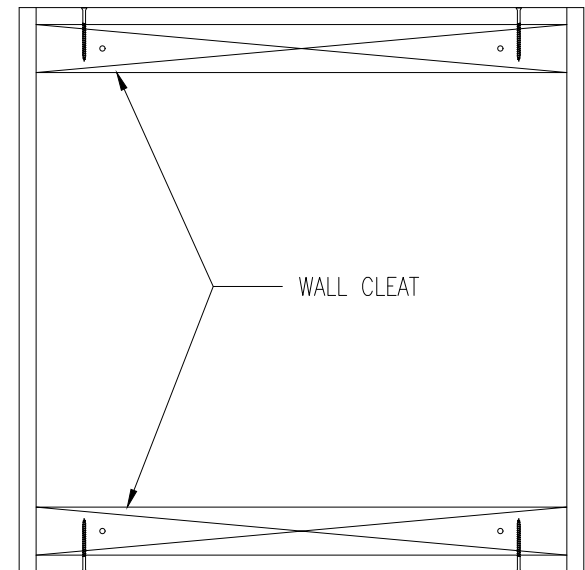
Path: F:\Project Mgmt - RPG\PROJECTS\ALL PRODUCTS DRAWING\BADA_BAD Arc\1-AutoCAD Drawings\Mounting\BAD ARC - Mounting.R



SIDE ELEVATION (NTS)



EXPLODED VIEW SHOWING MOUNTING
DETAIL, TYP. TOP AND BOTTOM (NTS)



BACK ELEVATION (NTS)



99 SOUTH STREET, PASSAIC, NJ 07055
(P) 973-916-1166 (E) estimating@rpgacoustic.com

Title: RPG BAD ARC
WALL CLEAT MOUNTING

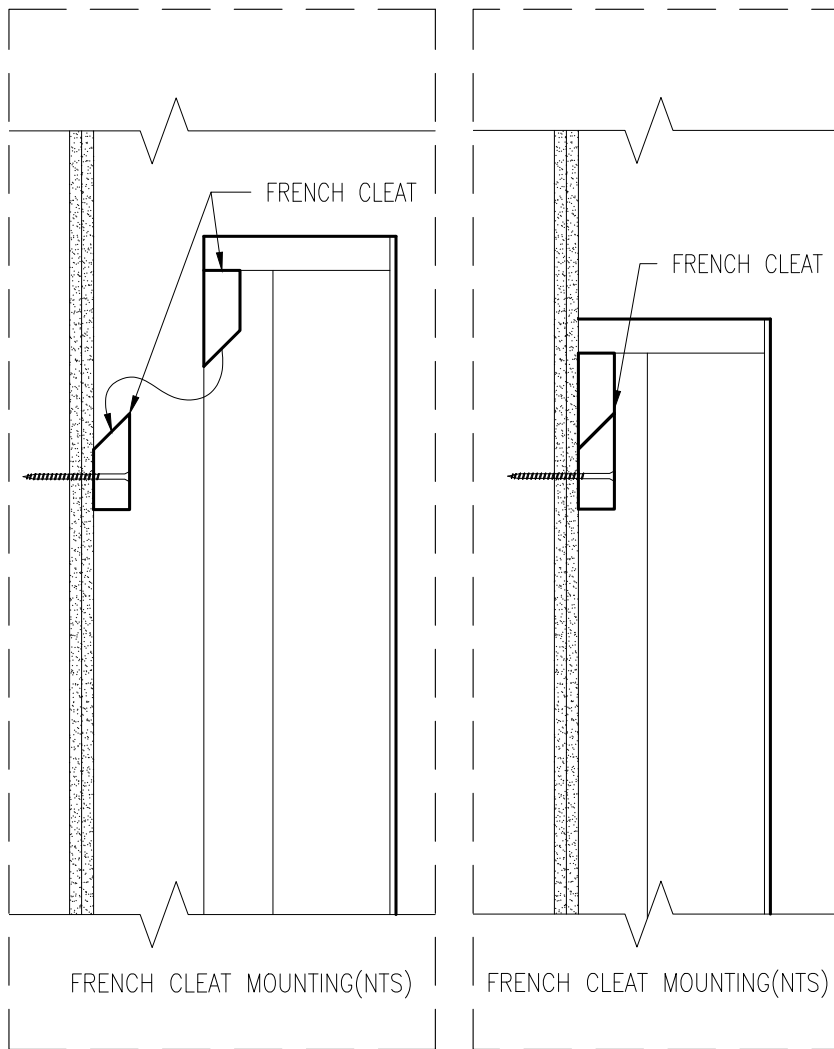
Proj: PROJECT

Date: 08/19/22 By: HTP

Scale: NTS

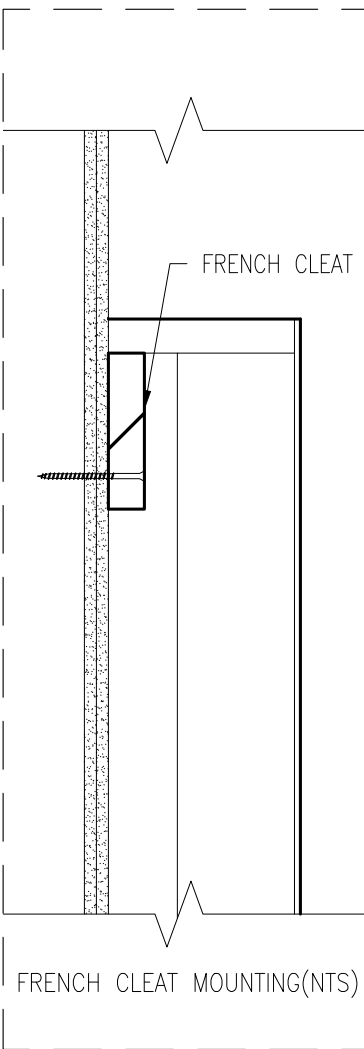
Comments:

Path: F:\Project Mgmt - RPG\RPG PRODUCTS\ALL PRODUCTS DRAWING\BADA_BAD Arc\1-AutoCAD Drawings\Mounting\BAD ARC - Mounting RI



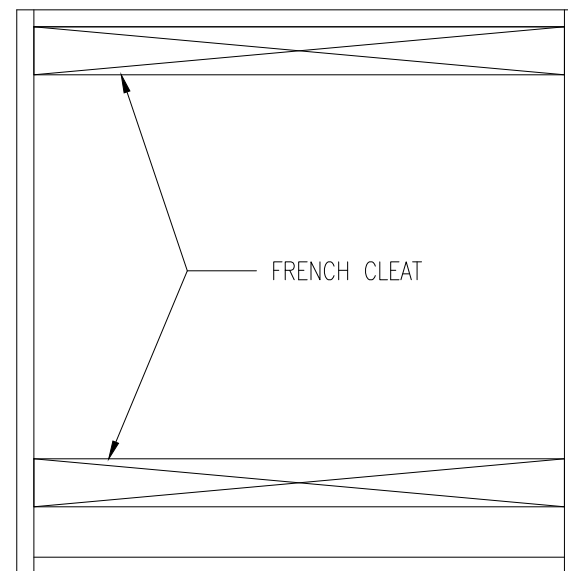
FRENCH CLEAT MOUNTING(NTS)

1



FRENCH CLEAT MOUNTING(NTS)

2



BACK ELEVATION (NTS)



99 SOUTH STREET, PASSAIC, NJ 07055
(P) 973-916-1166 (E) estimating@rpgacoustic.com

Title: RPG BAD ARC
FRENCH CLEAT MOUNTING

Proj: PROJECT

Date: 08/19/22

By: HTP

Scale: NTS

Comments:

Path: F:\Project Mgmt - RPG_RPG PRODUCTS\ALL PRODUCTS DRAWING\BADA_BAD Arc\1-AutoCAD Drawings\Mounting\BAD ARC - Mounting RI