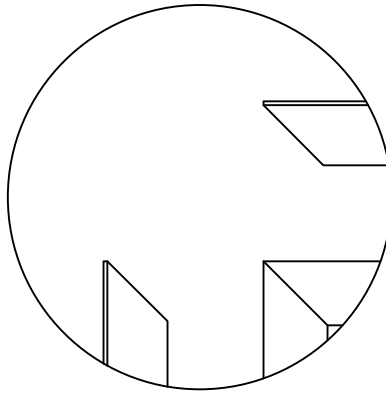
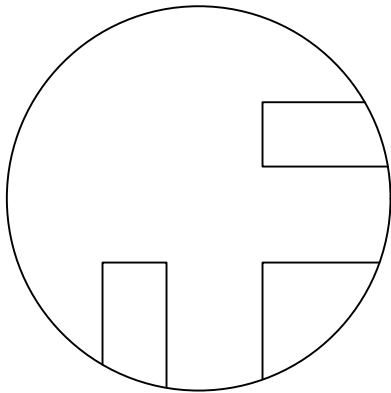


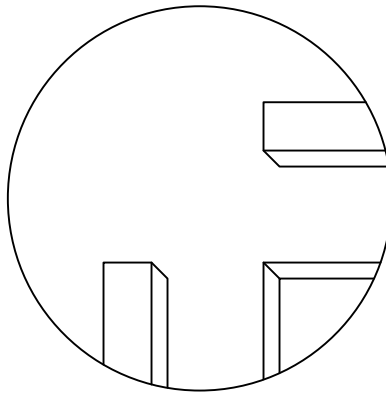
RADIUSED



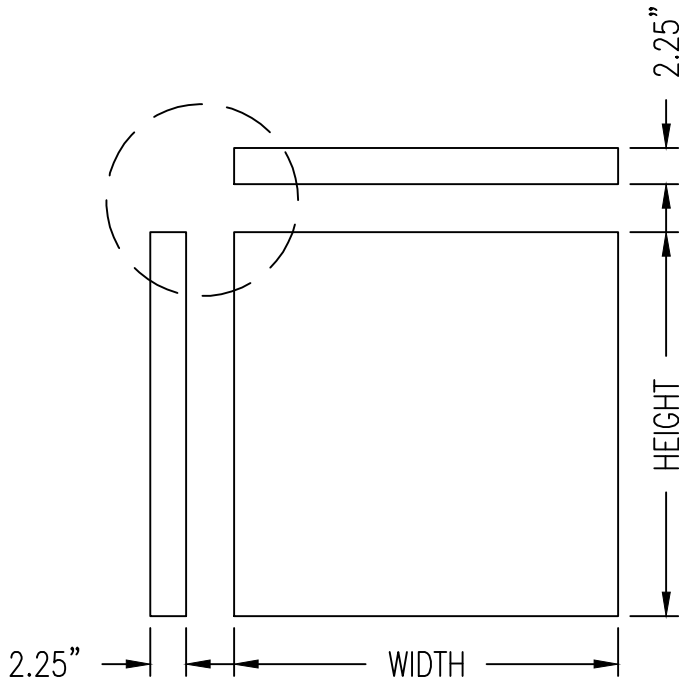
MITERED



SQUARE



BEVELED
(STANDARD .5"x.5")



MAX. BROADSORBOR PANEL SIZES		
WIDTH	HEIGHT	DEPTH
48"	120"	1"
48"	120"	2"
48"	120"	3"
48"	120"	4"

[Manufacturing tolerance +/- 1/8"]



ACOUSTICAL SYSTEMS - LLC
99 SOUTH STREET, PASSAIC, NJ 07055
(P) 973-916-1166 (E) estimating@rpgacoustic.com

Title: BROADSORBOR PANEL CUTSHEET		Label:	
Proj: RPG PRODUCT	JOB#:	Line Item:	QTY.
Date: 08/22/22	By: CNN	#	
Path: F:\Project Mgmt - RPG\RPG PRODUCTS\ALL PRODUCTS DRAWING\BOSP_Broadsorbor Panel\1 - AutoCAD Drawings\Cutsheet\Cutsheet R1		Scale: N15	