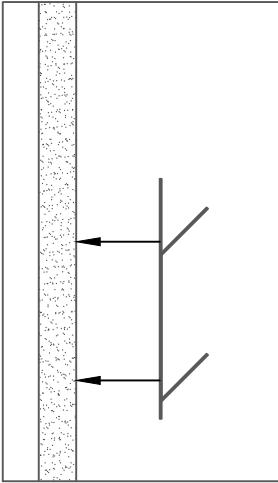
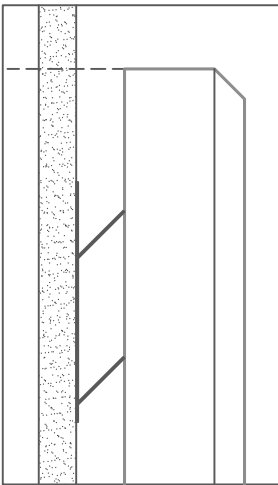


QTY./LENGTH				
	24"	48"	72"	96"
24"	4	4	6	8
48"	4	4	6	8
72"	6	6	-	-
96"	8	8	-	-

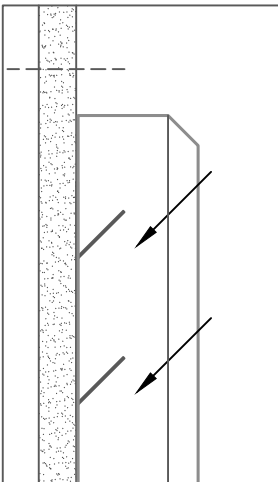


ATTACH IMPALING CLIPS TO WALL.

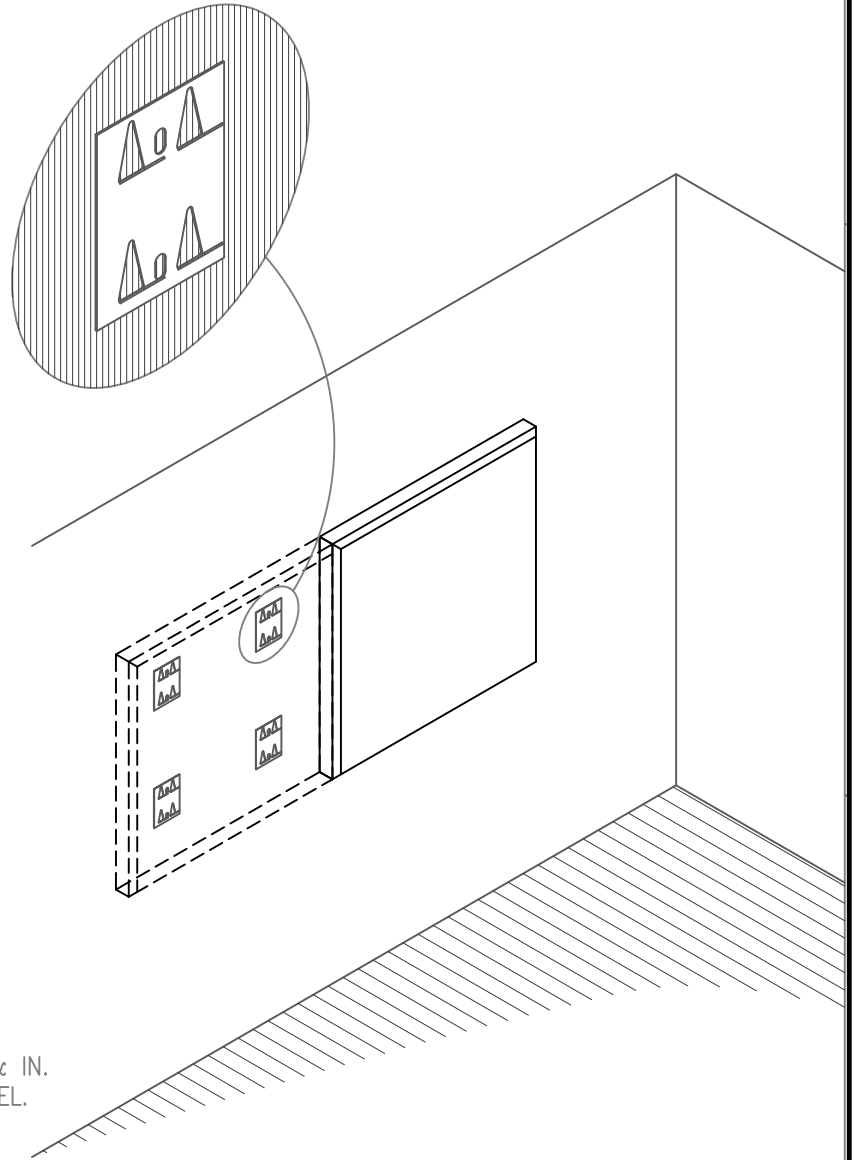


DRAW A LINE 1" ABOVE DESIRED HEIGHT.

GENTLY REST PANEL AGAINST CLIPS MAINTAINING LEVEL WITH LINE.



PUSH FIRMLY DOWN & IN. PIERCE BACK OF PANEL.



99 SOUTH STREET, PASSAIC, NJ 07055
 (p) 973-916-1166 (e) estimating@rpgacoustic.com

Title: RPG BROADSORBOR MOUNTING # 1 IMPALING CLIP

Proj: RPG PRODUCT

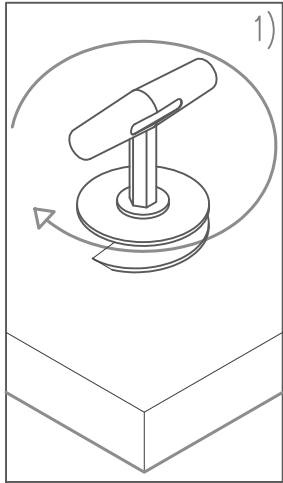
Date: 08/22/22

By: CNN

Scale: NTS

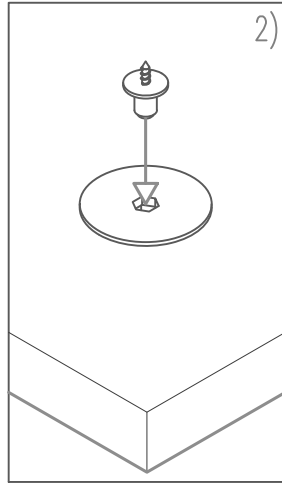
Comments:

Path: F:\Project Mgmt - RPG\RPG PRODUCTS\ALL PRODUCTS DRAWING\BDSB_Broadsorbor Panel\2- PDF Drawings\Mounting



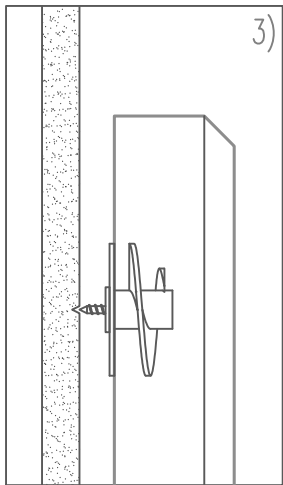
1)

ATTACH ROTOFAST™ ANCHOR



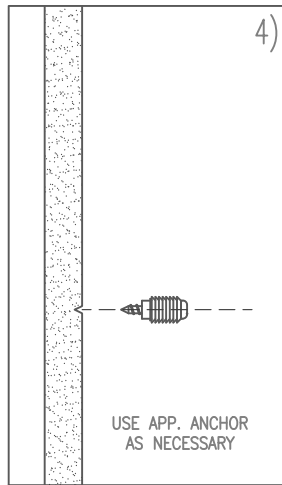
2)

INSERT MARKER SCREW



3)

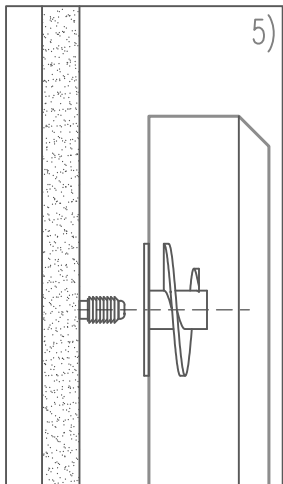
MARK WALL



4)

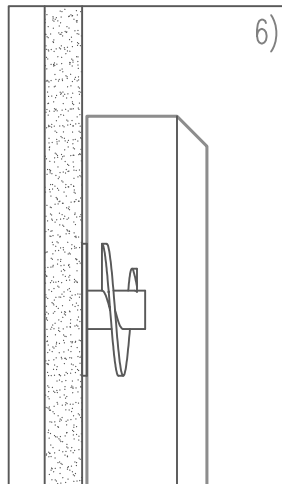
USE APP. ANCHOR
AS NECESSARY

MOUNT STUDS



5)

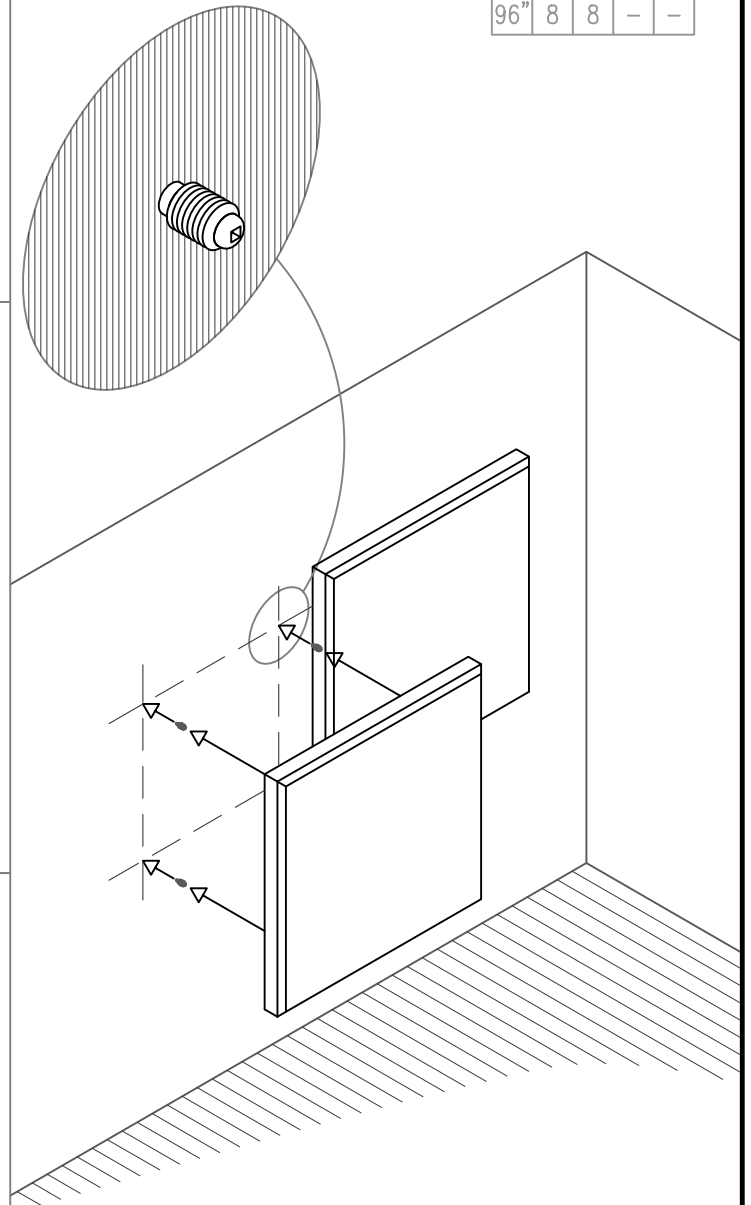
REMOVE MARKER SCREW



6)

SNAP PANEL ONTO STUDS

QTY./LENGTH				
	24"	48"	72"	96"
24"	4	4	6	8
48"	4	4	6	8
72"	6	6	-	-
96"	8	8	-	-



99 SOUTH STREET, PASSAIC, NJ 07055
(p) 973-916-1166 (e) estimating@rpgacoustic.com

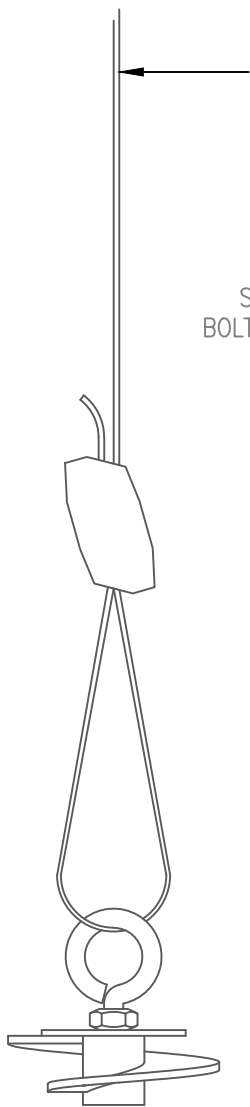
Title: RPG BROADSORBOR MOUNTING
4 ROTOFAST SNAP - ON

Proj: RPG PRODUCT

Date: 08/22/22 By: CNN Scale: NTS

Path: F:\Project Mgmt - RPG\...RPG PRODUCTS\ALL PRODUCTS DRAWING\BDSB_Broadsorbor Panel\2- PDF Drawings\Mounting

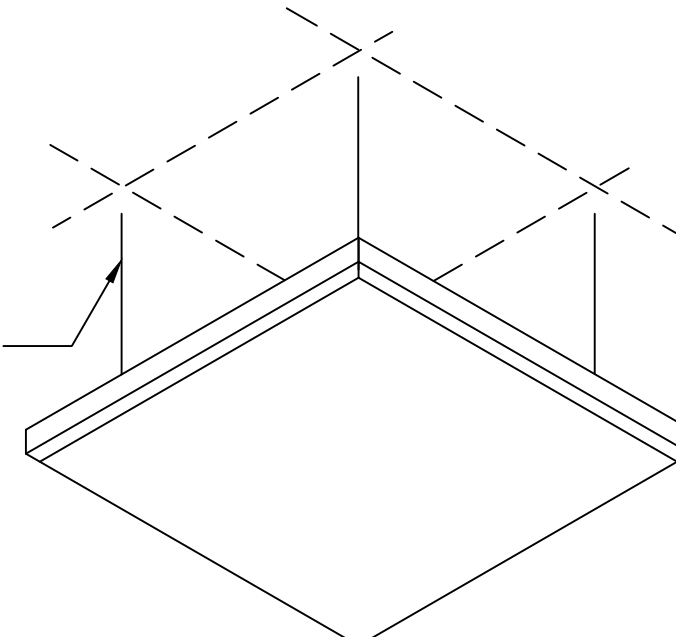
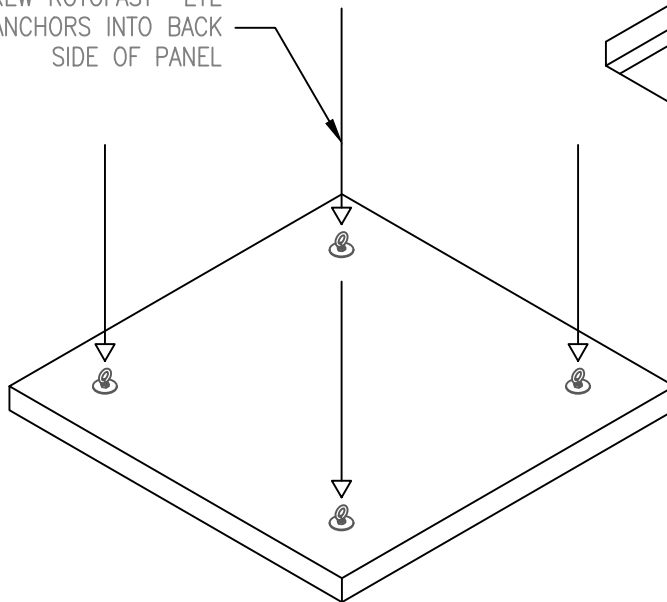
Comments:



SUSPENSION
BY OTHERS

SCREW ROTOFAST™ EYE
BOLT ANCHORS INTO BACK
SIDE OF PANEL

HANG PANEL ON
APPROPRIATE
WIRE/CABLE



QTY./LENGTH				
	24"	48"	72"	96"
24"	4	4	6	8
48"	4	4	6	8
72"	6	6	-	-
96"	8	8	-	-



99 SOUTH STREET, PASSAIC, NJ 07055
(p) 973-916-1166 (e) estimating@rpgacoustic.com

Title: RPG BROADSORBOR MOUNTING
3 ROTOFAST EYELET

Proj: PROJECT

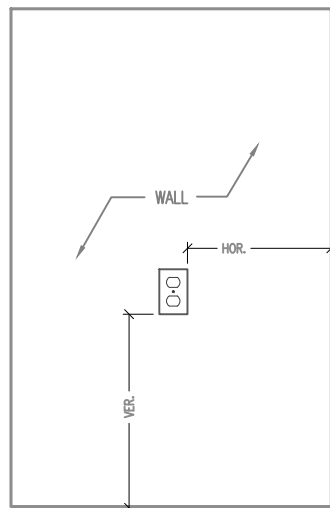
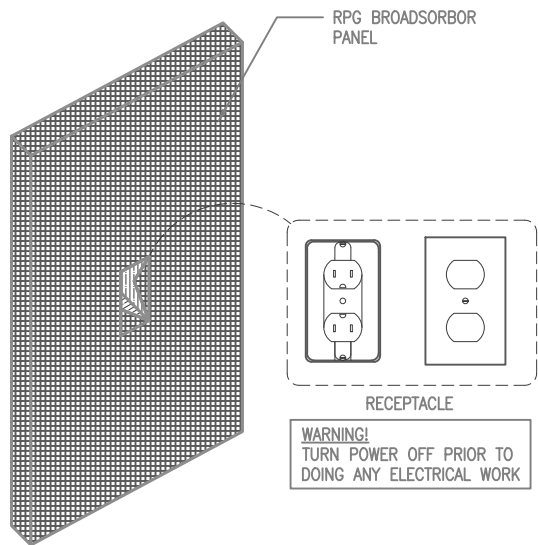
Date: 08/22/22

By: CNN

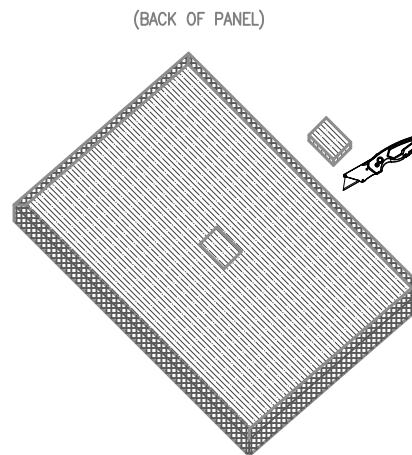
Scale: NTS

Comments:

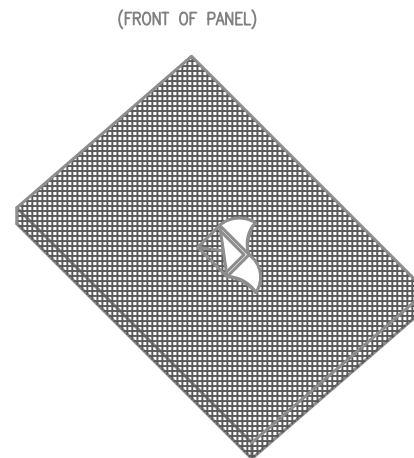
Path: F:\Project Mgmt - RPG\RPG PRODUCTS\ALL PRODUCTS DRAWING\BDSB_Broadsorbor Panel\2- PDF Drawings\Mounting



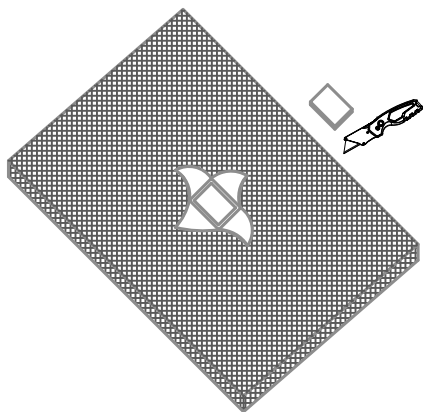
MEASURE LOCATION OF RECEPTACLE ON THE WALL AND TRANSFER DIMENSIONS TO THE BACK OF THE PANEL. ADD 1/16" TO ALL SIDES FOR ADDITIONAL CLEARANCE.



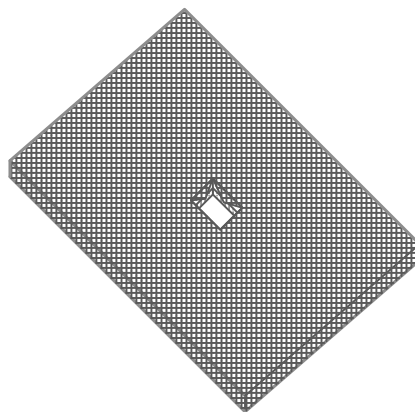
USING A RAZOR KNIFE, REMOVE THE FIBERGLASS FROM WITHIN THE OUTLINE FOR THE RECEPTACLE.



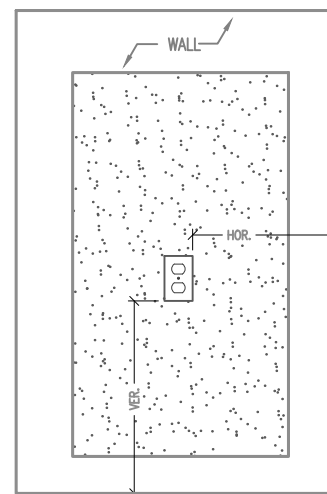
TRANSFER CUTOUT DIM. TO FRONT OF PANEL. CUT AN "X" IN FABRIC THEN PULL BACK THE FLAPS.



WITH AN UTILITY KNIFE CAREFULLY CUT THE VARIABLE IMPEDANCE CORED.



SHIELD FRONT OF PANEL TO PREVENT ANY ADHESIVE OVER SPRAY, SPRAY FABRIC WITH SUPER 77 ADHESIVE OR EQUIVALENT. PULL FLAPS THROUGH OPENING AND ADHERE TO SIDES OF PANELS CUTOUT.



ATTACH MODIFIED PANEL TO WALL. PANEL SHOULD CLEAR RECEPTACLE EXTENSION. INSTANT A LARGER THAN ORIGINAL RECEPTACLE COVER AND RESTORE POWER.



99 SOUTH STREET, PASSAIC, NJ 07055
(p) 973-916-1166 (e) estimating@rpgacoustic.com

Title: BROADSORBOR PANEL FIELD CUT OUT ELECTRICAL CUT AND RE-WRAP DETAIL

Proj: RPG PROJECT

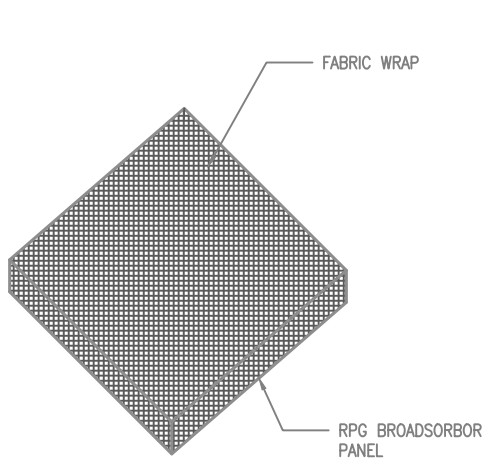
Date: 08/22/22

By: CV

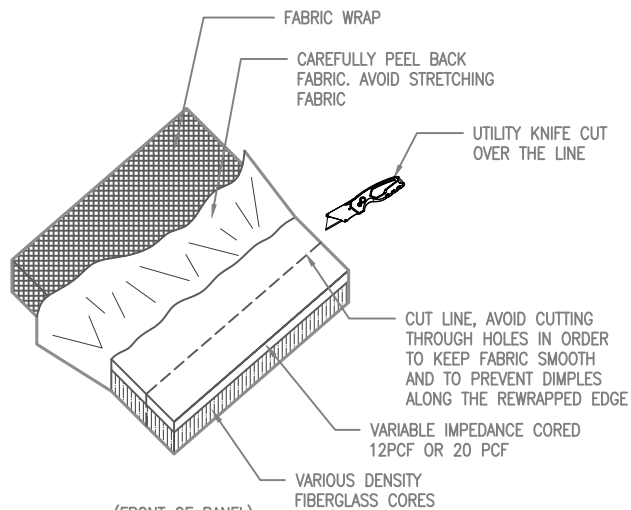
Scale: NTS

Comments:

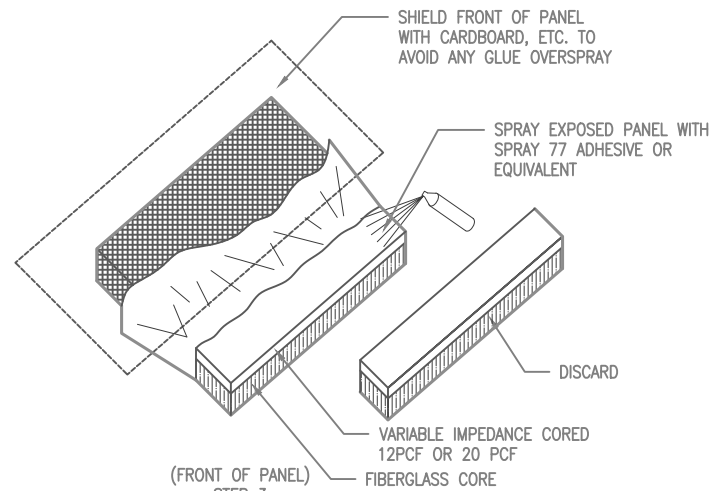
Path: F:\Project Mgmt - RPG__RPG PRODUCTS\ALL PRODUCTS DRAWING\BDSBP_Broadsorbor Panel\2- PDF Drawings\Mounting



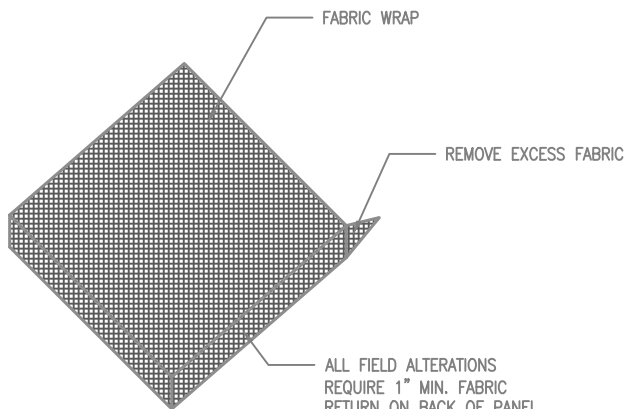
(BACK OF PANEL)
STEP 1



(FRONT OF PANEL)
STEP 2



(FRONT OF PANEL)
STEP 3



(BACK OF PANEL)
STEP 4

INSTRUCTIONS:

1. CAREFULLY PEEL FABRIC BACK PAST CUT LINE. USE HEAT GUN TO AID IN THE RELEASE OF ADHESIVE.
2. CUT PANELS AS NEEDED. USE AN UTILITY KNIFE TO CUT FIBERGLASS CORE AND VARIABLE IMPEDANCE CORED. DO NOT CUT FABRIC.
3. COVER FRONT OF PANEL TO AVOID OVER SPRAY. SPRAY EXPOSED ACOUSTIC BOARD AND FIBERGLASS CORE WITH SUPER 77 ADHESIVE OR EQUIVALENT.
4. STRETCH FABRIC BACK ACROSS PANEL. PINCH EXCESS FABRIC TOGETHER WITH FINGERS AND CUT OFF FLAP WITH SCISSORS.



99 SOUTH STREET, PASSAIC, NJ 07055
(p) 973-916-1166 (e) estimating@rpgacoustic.com

Title: BROADSORBOR PANEL FIELD TRIM
CUT AND RE - WRAP DETAIL

Proj: RPG PROJECT

Date: 08/22/22

By: CNN

Scale: NTS

Comments:

Path: F:\Project Mgmt - RPG__RPG PRODUCTS\ALL PRODUCTS DRAWING\BDSBP_Broadsorbor Panel\2- PDF Drawings\Mounting