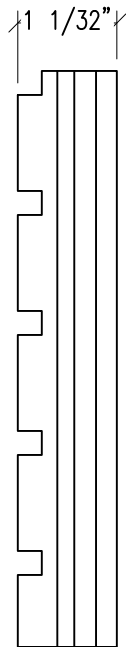
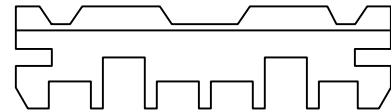
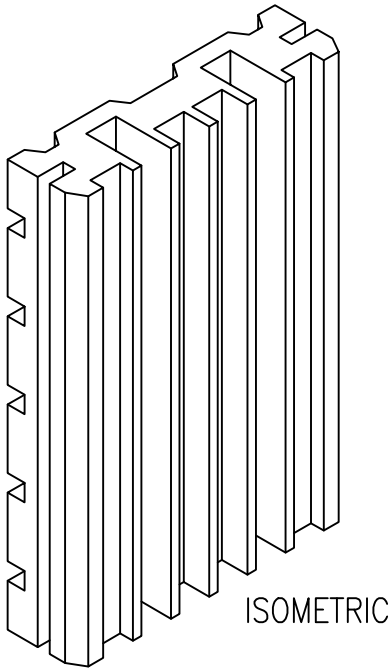
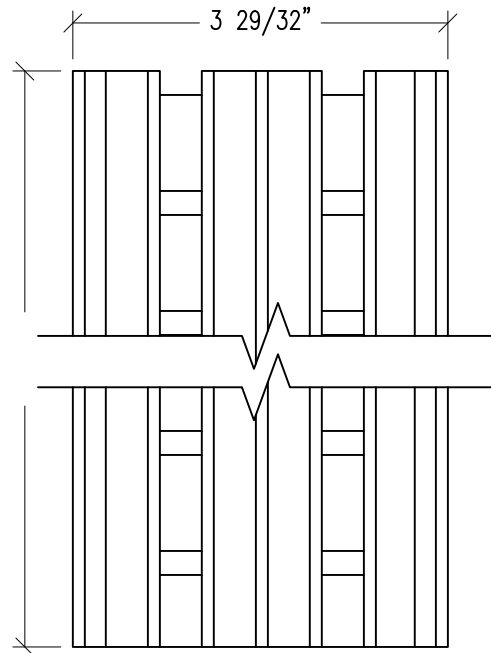


NOTE: REPRESENTATIVE OF SIZES AND DIMENSIONS OF PRODUCT ONLY. PROPRIETARY WELL DEPTHS OBSCURED.



SIDE



FRONT

[Manufacturing tolerance +/- 1/8"]



ACOUSTICAL SYSTEMS - LLC
99 SOUTH STREET, PASSAIC, NJ 07055
(P) 973-916-1166 (E) estimating@rpgacoustic.com

Title: FLUTTERFREE PLANK- SLOTTED
CUTSHEET

Proj: RPG PRODUCT

Date: 8/18/22

Path: F:\Project Maint - RPG\RPG PRODUCTS\ALL PRODUCTS DRAWING\FLFR FlutterFree\1-AutoCAD Drawings\Cutsheet\FLFR RI

JOB#:

By: ACT

Scale: N15

Label:

FLFS

Line Item:

QTY.