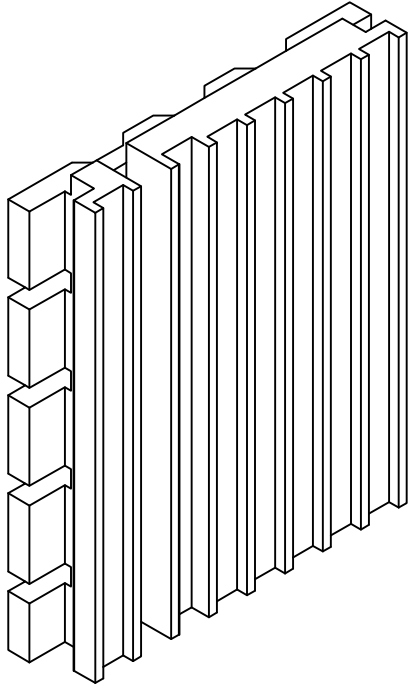
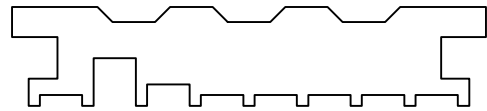


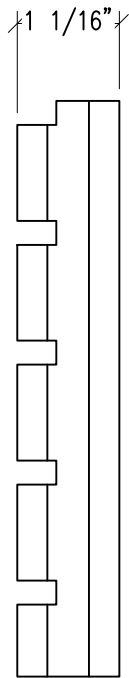
NOTE: REPRESENTATIVE OF SIZES AND DIMENSIONS OF PRODUCT ONLY. PROPRIETARY WELL DEPTHS OBSCURED.



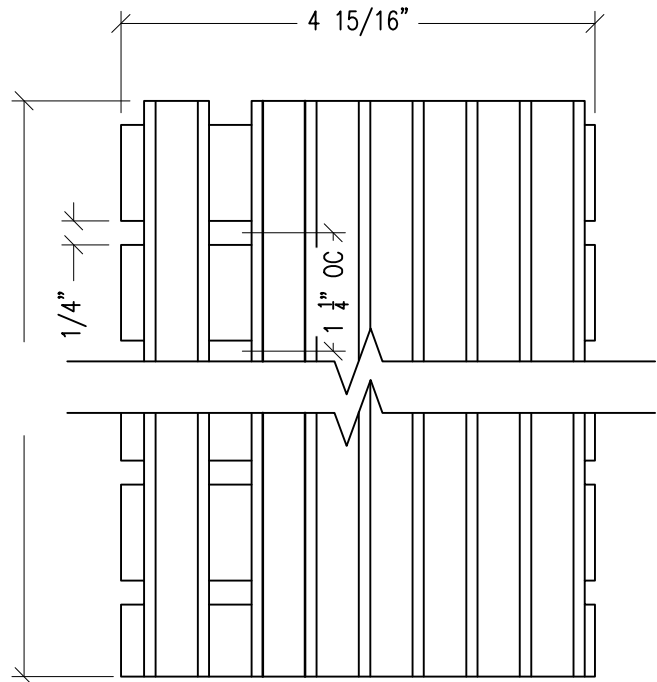
ISOMETRIC



TOP



SIDE



FRONT

[Manufacturing tolerance +/- 1/8"]



ACOUSTICAL SYSTEMS - LLC
 99 SOUTH STREET, PASSAIC, NJ 07055
 (P) 973-916-1166 (E) estimating@rpgacoustic.com

Title: FLUTTERFREE - T PLANK SLOTTED
 CUTSHEET

Label:
FLFTS

Proj: RPG PRODUCT

JOB#:

Date: 8/25/22

By: ACT

Scale: N15

Line Item: QTY.

Path: F:\Project Mgmt - RPG\RPG PRODUCTS\ALL PRODUCTS DRAWING\FLFT Flutterfree T Plank\1 - AutoCAD Drawings\Cutsheet\FLFT Flutterfree T Plank CS