

99 SOUTH STREET, PASSAIC, NJ 07055
(P) 973-916-1166 (E) estimating@rpgacoustic.com

Title: RPG FLUTTERFREE PLANK-1
MOUNTING DETAIL C.1

Proj: RPG PRODUCT

JOB#:

Date: 08/18/22

By: WRM

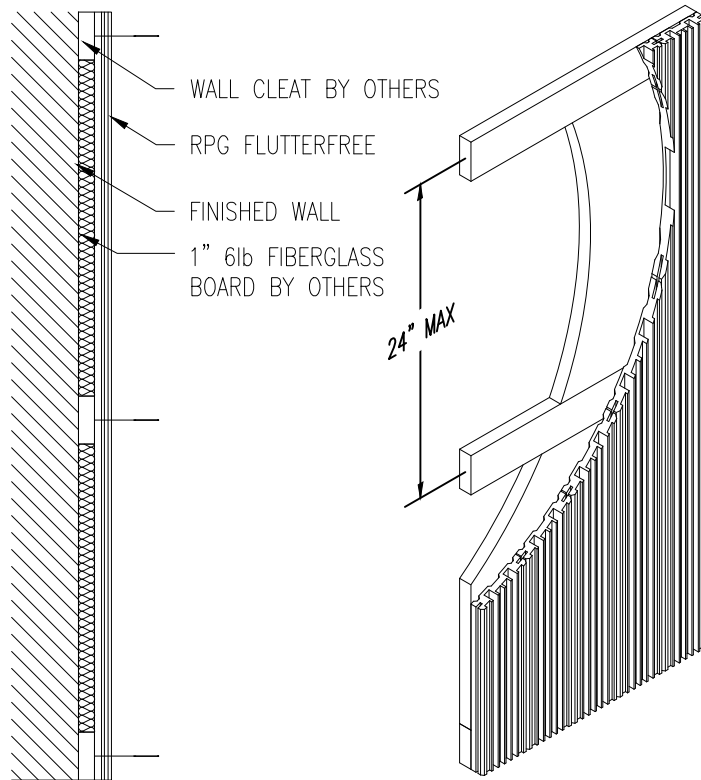
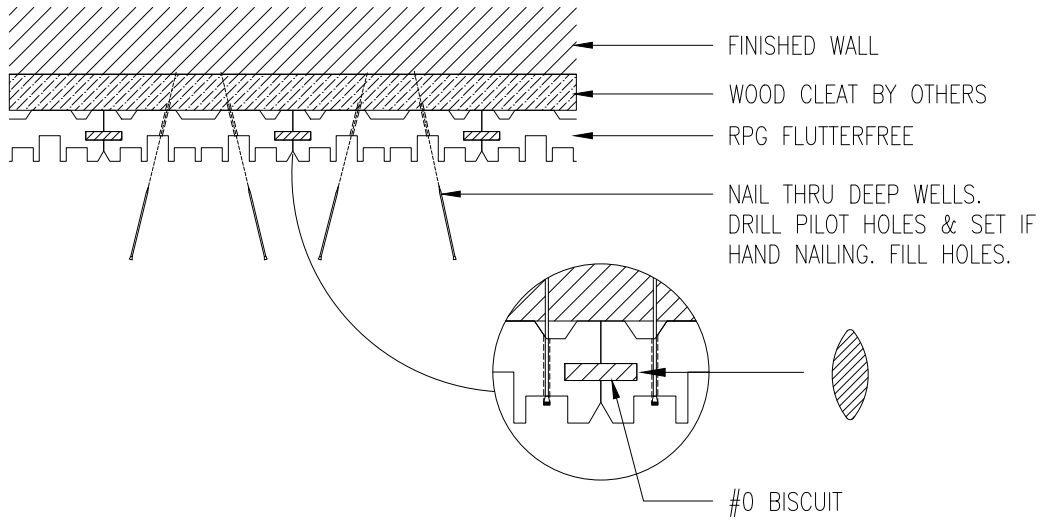
Scale: NTS

Label:

Line Item:

QTY.

Path: F:\Project Mgmt - RPG\RPG PRODUCTS\ALL PRODUCTS DRAWING\FLFR FlutterFree\1-AutoCAD Drawings\Mounting\FLFR Mounting R1



ACOUSTICAL SYSTEMS - LLC
 99 SOUTH STREET, PASSAIC, NJ 07055
 (P) 973-916-1166 (E) estimating@rpgacoustic.com

Title: RPG FLUTTERFREE PLANK-1 SLOTTED MOUNTING DETAIL C.2

Proj: RPG PRODUCT

JOB#:

Date: 08/18/22

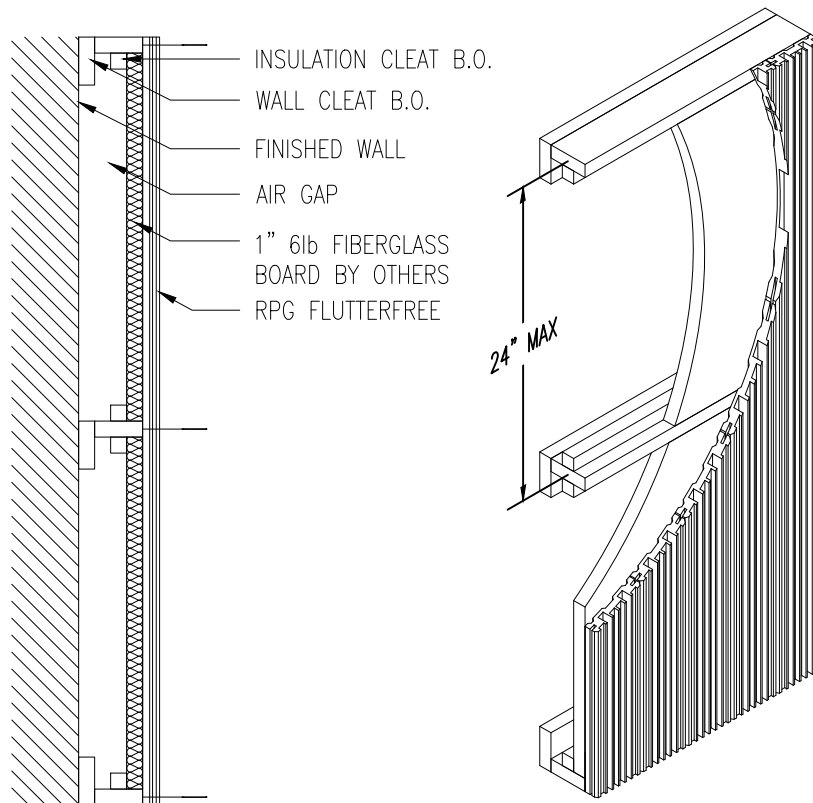
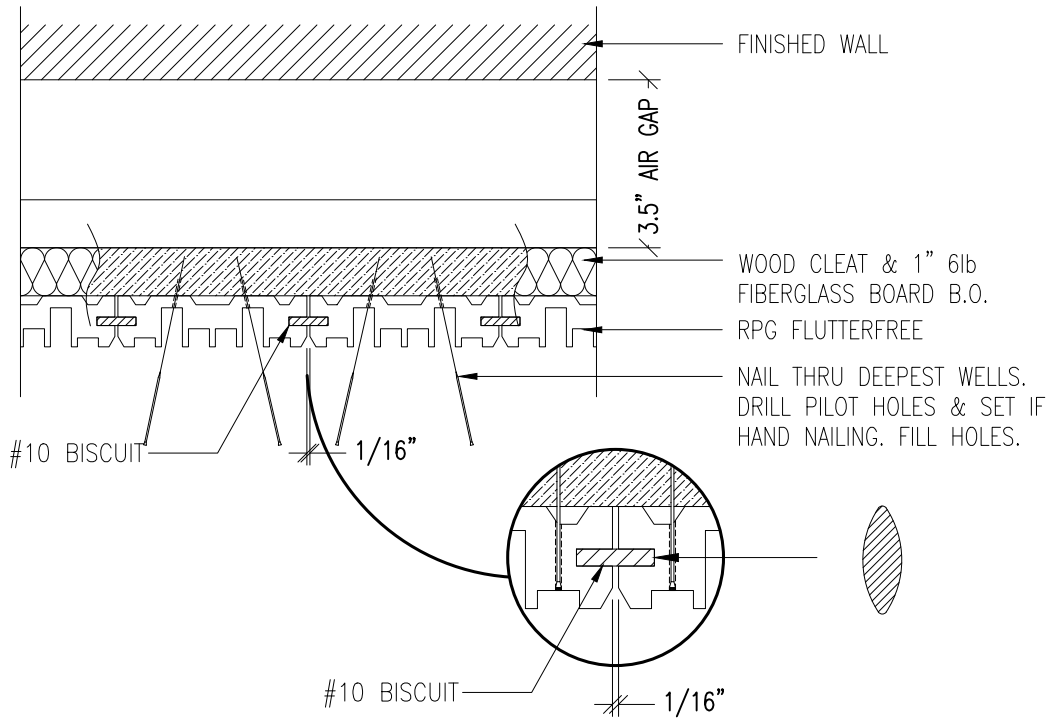
By: WRM

Scale: N15

Label:

Line Item: QTY.

Path: F:\Project Mgmt - RPG\RPG PRODUCTS\ALL PRODUCTS DRAWING\FLR FlutterFree\1-AutoCAD Drawings\Mounting\FLR Mounting R1



99 SOUTH STREET, PASSAIC, NJ 07055
 (P) 973-916-1166 (E) estimating@rpgacoustic.com

Title: RPG FLUTTERFREE PLANK-1
 MOUNTING DETAIL D.1

Proj: RPG PRODUCT

JOB#:

Date: 8/18/22

By: WRM

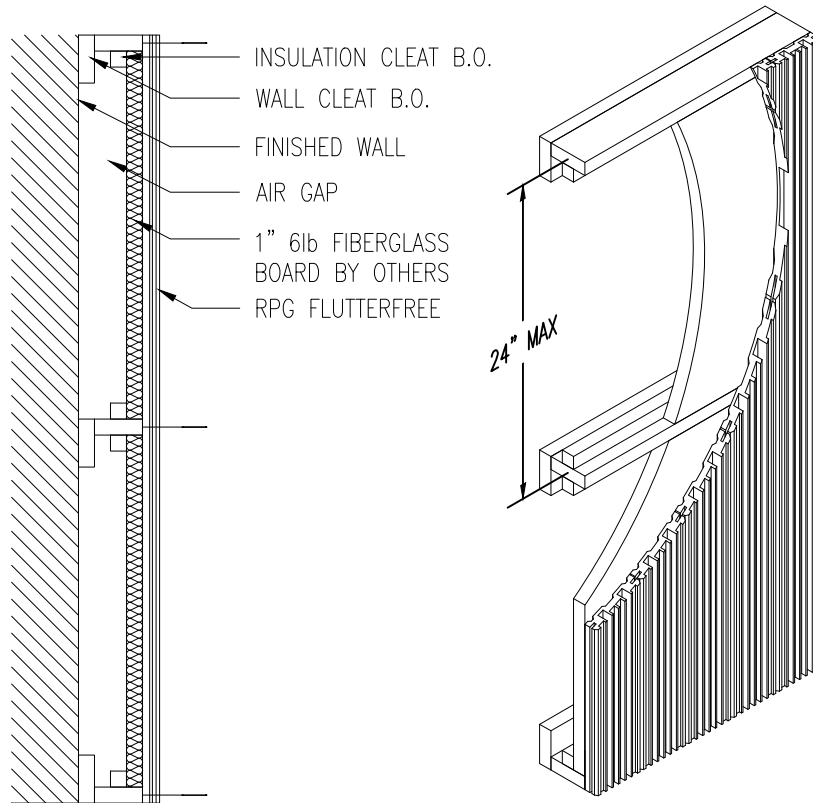
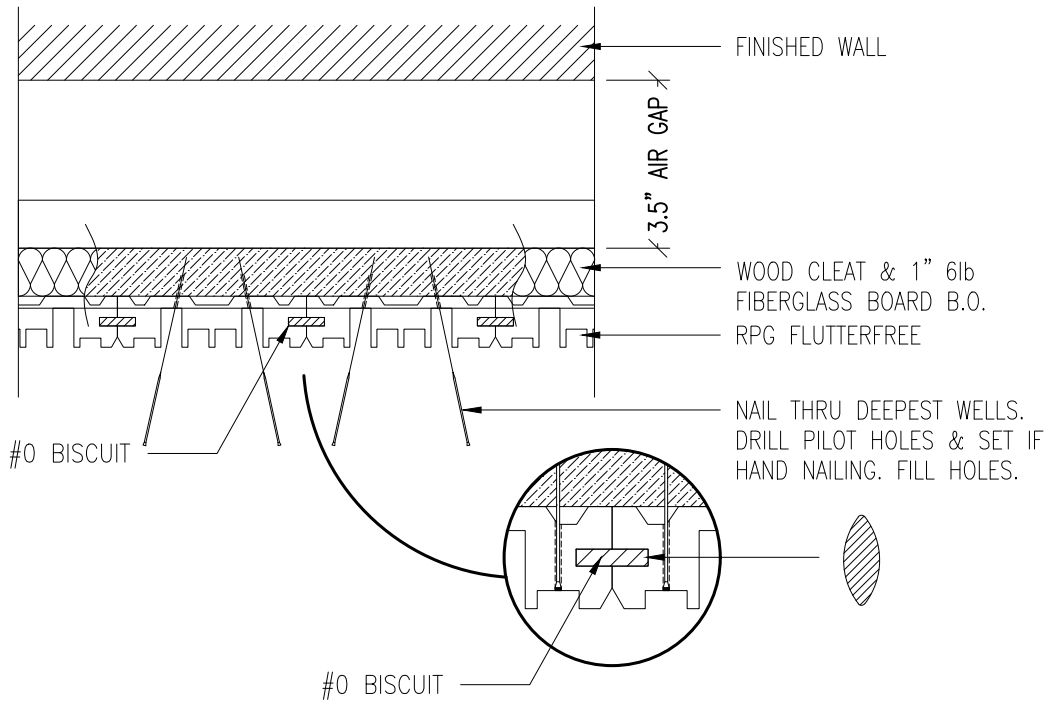
Scale: NTS

Label:

Line Item:

QTY.

Path: F:\Project Mgmt - RPG_RPG PRODUCTS\ALL PRODUCTS DRAWING\FLFR FlutterFree\1-AutoCAD Drawings\Mounting\FLFR Mounting R1



99 SOUTH STREET, PASSAIC, NJ 07055
 (P) 973-916-1166 (E) estimating@rpgacoustic.com

Title: RPG FLUTTERFREE PLANK-1 SLOTTED MOUNTING DETAIL D.2

Proj: RPG PRODUCT

JOB#:

Date: 8/18/22

By: WRM

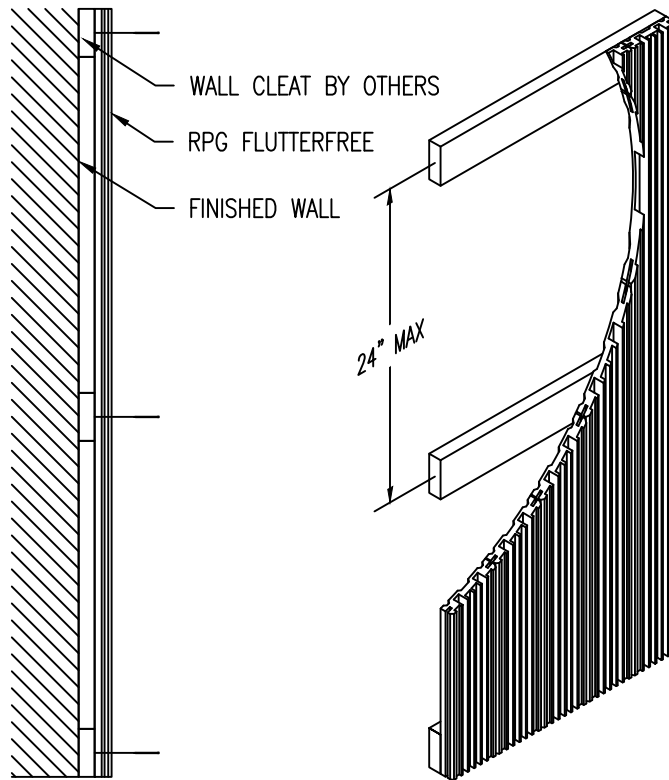
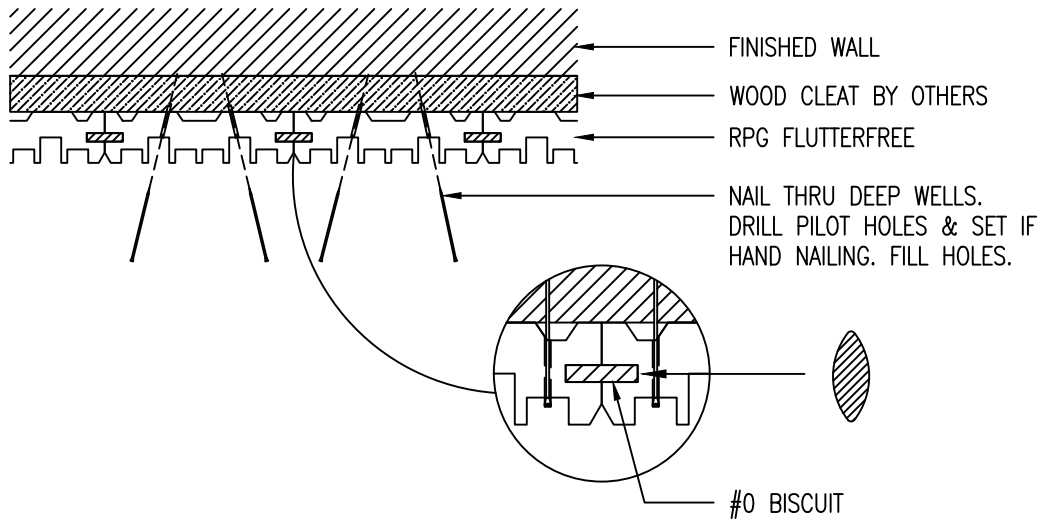
Scale: NTS

Label:

Line Item:

QTY.

Path: F:\Project Mgmt - RPG\RPG PRODUCTS\ALL PRODUCTS DRAWING\FLFR FlutterFree\1-AutoCAD Drawings\Mounting\FLFR Mounting R1



99 SOUTH STREET, PASSAIC, NJ 07055
(P) 973-916-1166 (E) estimating@rpgacoustic.com

Title: RPG FLUTTERFREE PLANK-1
DIRECT MOUNTING

Proj: RPG PRODUCT

JOB#:

Date: 08/18/22

By: WRM

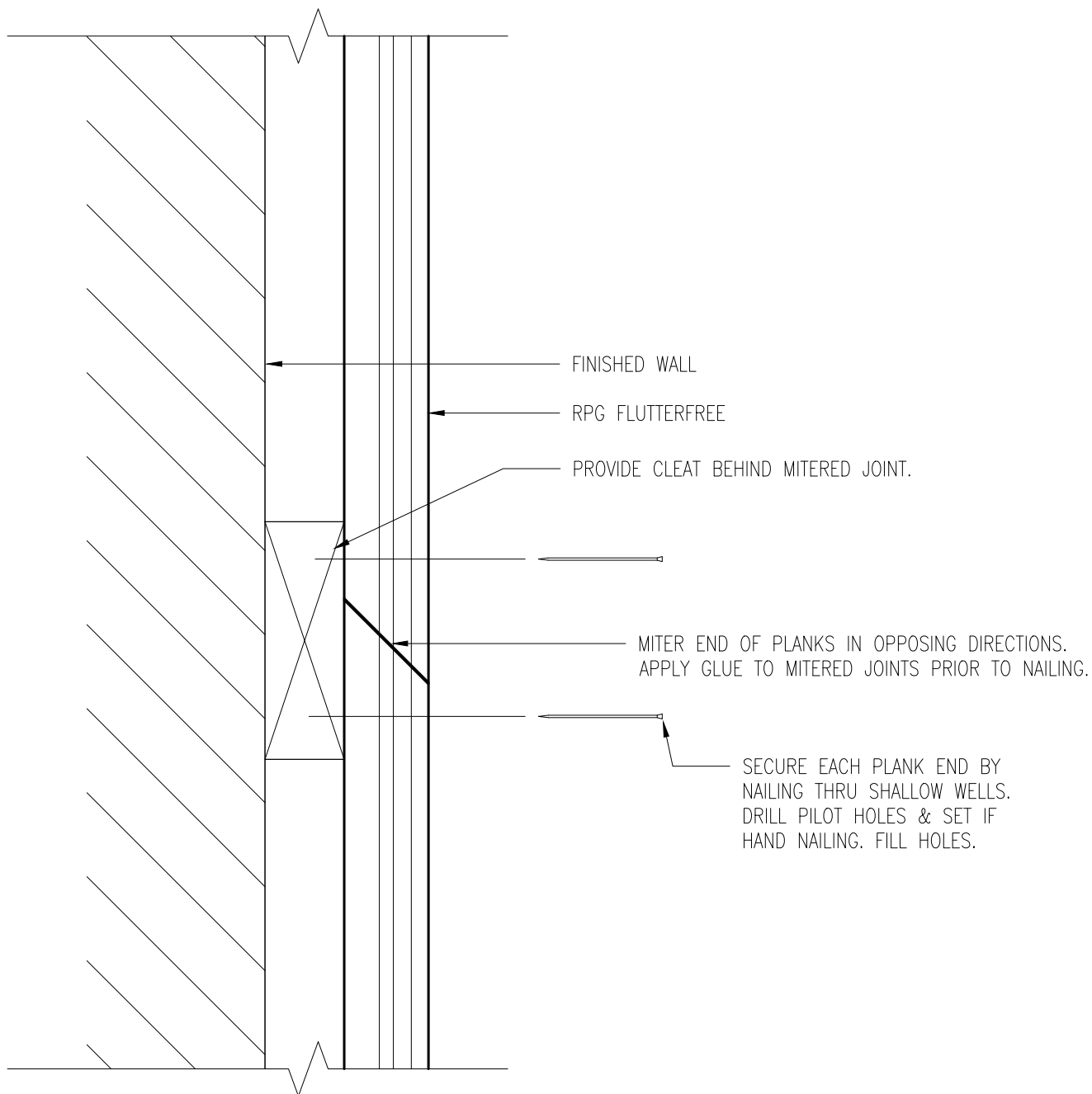
Scale: NTS

Label:

Line Item:

QTY.

Path: F:\Project Mgmt - RPG\RPG PRODUCTS\ALL PRODUCTS DRAWING\FLFR FlutterFree\1-AutoCAD Drawings\Mounting\FLFR Mounting R1



99 SOUTH STREET, PASSAIC, NJ 07055
(P) 973-916-1166 (E) estimating@rpgacoustic.com

Title: RPG FLUTTERFREE PLANK-1 LAP JOINT DETAIL		Label:	
Proj: RPG PRODUCT	JOB#:	Line Item:	QTY.
Date: 08/18/22	By: ZAH	Scale: NTS	
Path: F:\Project Mgmt - RPG\RPG PRODUCTS\ALL PRODUCTS DRAWING\FLFR FlutterFree\1-AutoCAD Drawings\Mounting\FLFR Mounting R1			