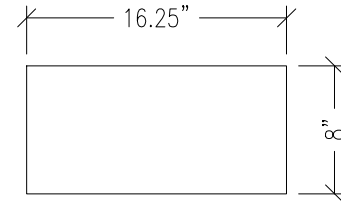
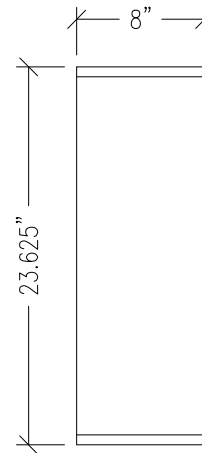


ISOMETRIC

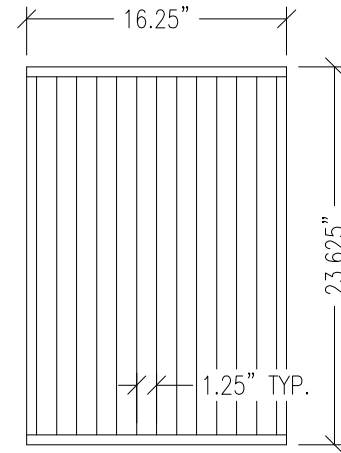
OPTI -OPTISTEP W
 PARTS FROM " PLYWOOD
 TOP/BOTTOM 2 PCS. @ 8"x16.25"
 SIDES 2 PCS. 8"x22.375"
 WELL 12 PC. @ VARIES"x22.375"
 DIVIDER 9 PC. @ VARIES"x22.375"
 STABILIZER 2 PC. @ 8"x15"
 CLEATS 2 PCS. @ 3.25"x15"
 BOTTOM CLEAT 1 PC. @ 1.25"x15"



TOP



SIDE



FRONT



99 SOUTH STREET, PASSAIC, NJ 07055
 (P) 973-916-1166 (E) estimating@rpgacoustic.com

Title: *RPG OPTI - OPTISTEP W*
CUTSHEET

Proj: *RPG PRODUCT*

Date: *08/19/22* By: *JLP*

Scale: *N15*

Comments:

Path: *F:\Project Mgmt - RPG\RPG PRODUCTS\ALL PRODUCTS DRAWING\OPTI_Optistep\1- AutoCAD Drawings\Cutsheet\OPTI - OPTISTEP CS.RI*