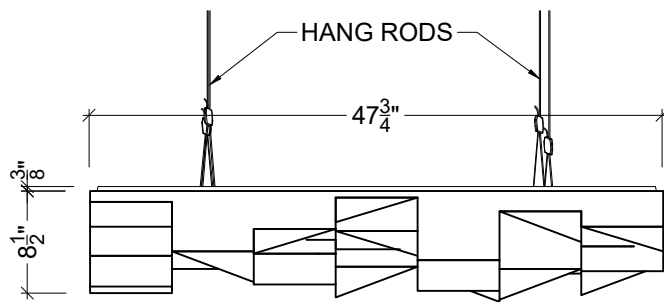
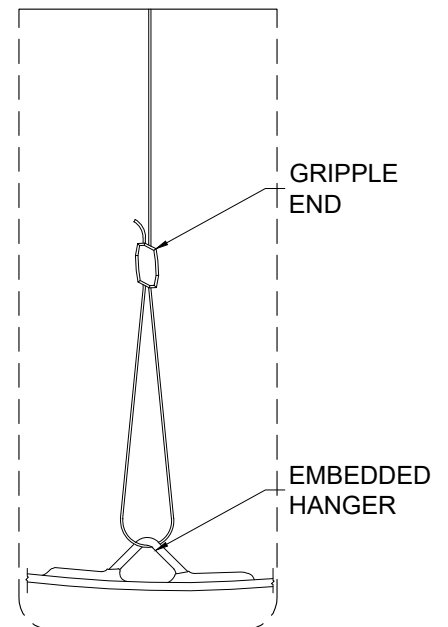
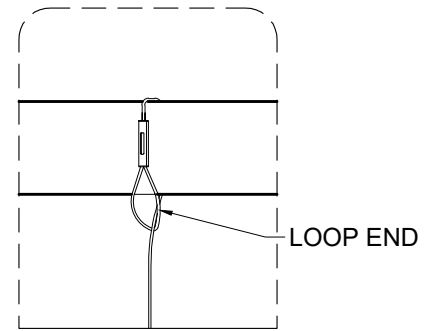


TOP VIEW W/ HANG POINTS



FRONT VIEW W/ HANGING



HANGROD DETAIL



99 SOUTH STREET, PASSAIC, NJ 07055  
(P) 973-916-1166 (E) estimating@rpgacoustic.com

Title: SKYLINE G768  
MOUNTING

Proj: \_\_\_\_\_

JOB#: \_\_\_\_\_

Date: 8/24/22

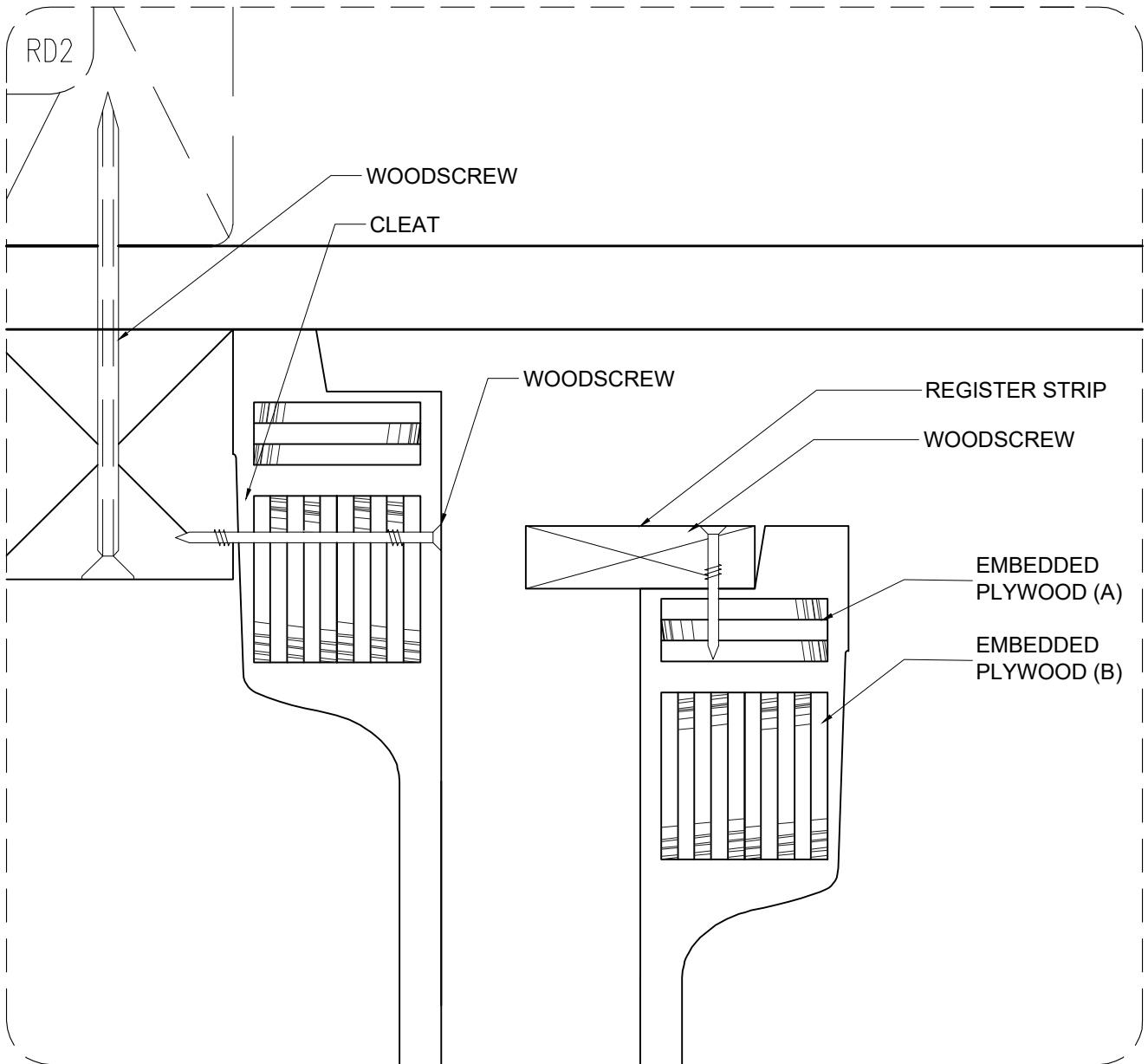
By: IND

Scale: NTS

Label: -

Line Item: -  
QTY: -

Path: F:\Project Mount - RPG\PROJECTS\ALL PRODUCTS DRAWING\SKYL\_Skylne G768 (Previously Skylne LFA)\1- AutoCAD Drawings\Mounting\SKYL\_Skylne G768 Mounting



MOUNTING DETAIL - WALL JOINT



**ACOUSTICAL SYSTEMS - LLC**

99 SOUTH STREET, PASSAIC, NJ 07055  
 (P) 973-916-1166 (E) estimating@rpgacoustic.com

Title: SKYLINE G768  
 JOINING MOUNTING DETAIL - RD2

Proj: \_\_\_\_\_ JOB#: \_\_\_\_\_

Date: 8/24/22 By: IND Scale: NTS

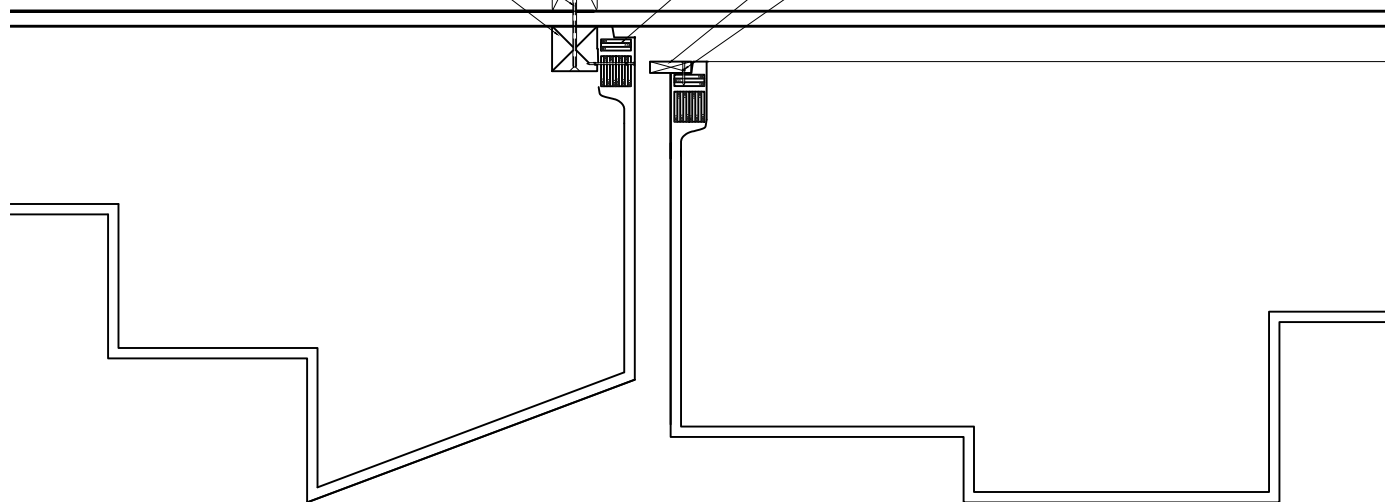
Path: F:\Project Mount - RPG\RPG PRODUCTS\ALL PRODUCTS DRAWING\SKY\_Skyline G768 (Previously Skyline LFA)\1-AutoCAD Drawings\Mounting\SKY\_Skyline G768 Mounting

Label: -

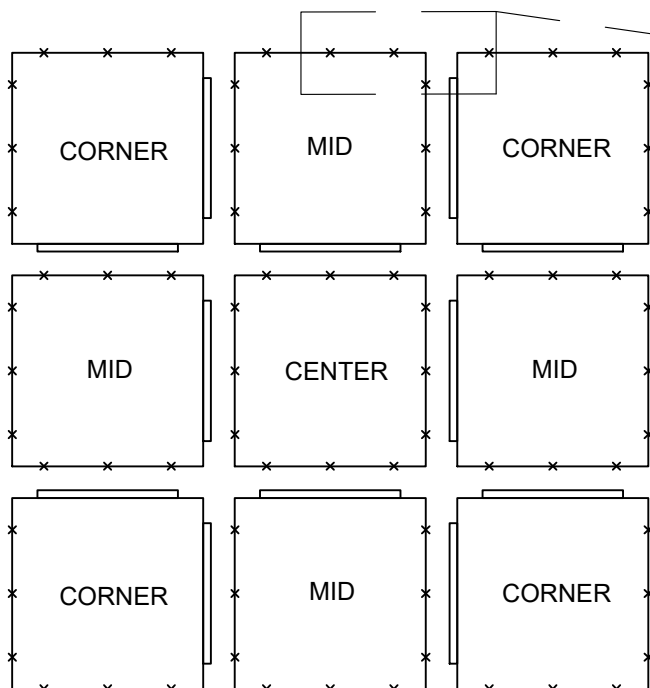
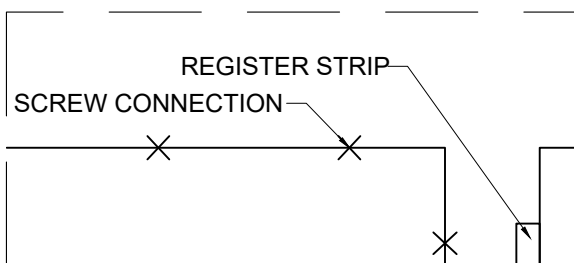
Line Item: QTY.  
 -

STUD  
WOODSCREW  
CLEAT

EMBEDDED PLYWOOD (A)  
REGISTER STRIP  
WOODSCREW



TOP (SECTION)



STEP 1:  
BEGINNING WITH THE "CENTER" PANEL, LOCATE AND ANCHOR 4 CLEATS TO THE WALL, THEN SECURE PANEL TO CLEATS USING WOOD SCREWS

STEP 2:  
CONTINUING WITH "MID" PANELS, LOCATE AND ANCHOR 3 CLEATS TO THE WALL, SLIDE REGISTER STRIP BEHIND "CENTER" PANEL, THEN SECURE PANEL TO CLEATS USING WOOD SCREWS.

STEP 3:  
CONTINUING WITH "CORNER" PANELS, LOCATE AND ANCHOR 2 CLEATS TO THE WALL, SLIDE REGISTER STRIPS BEHIND "MID" UNITS, THEN SECURE PANEL TO CLEARS USING WOOD SCREWS.



99 SOUTH STREET, PASSAIC, NJ 07055  
(P) 973-916-1166 (E) estimating@rpgacoustic.com

Title: SKYLINE G768  
WALL MOUNTING DETAIL

Label:

-

Proj:

JOB#:

Line Item:

QTY.

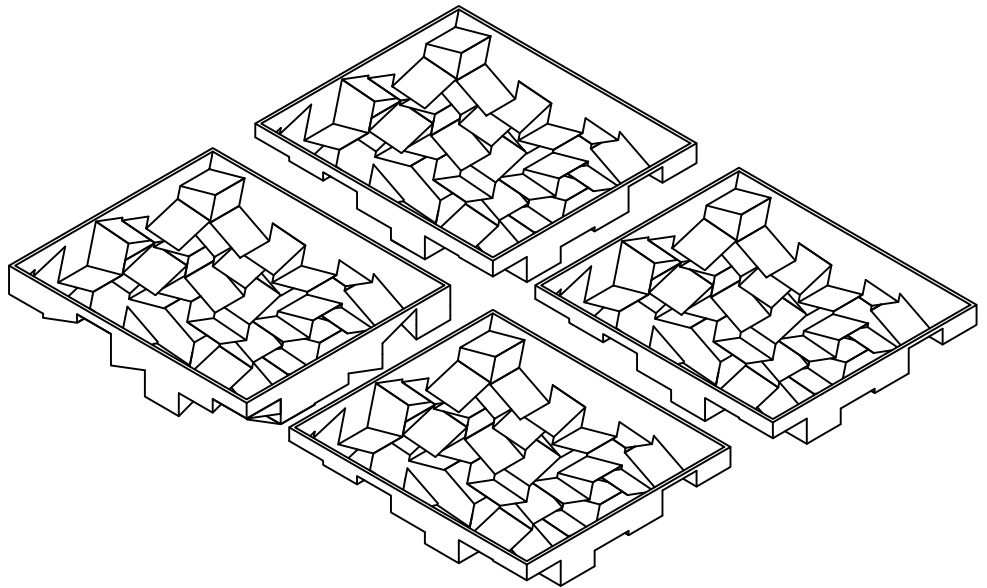
Date: 8/24/22

By: IND

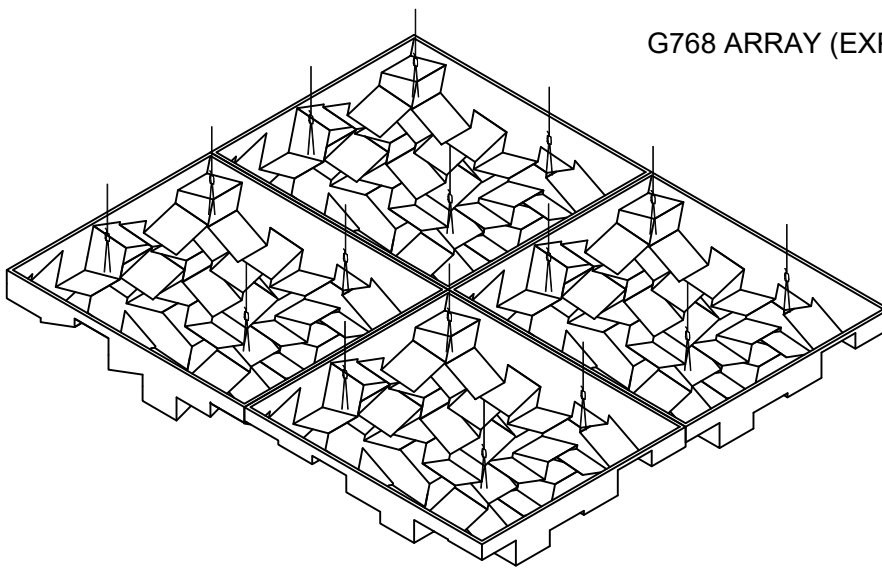
Scale: N15

-

Path: F:\Project Maint - RPG\RPG PRODUCTS\ALL PRODUCTS DRAWING\SKY\_Skyline G768 (Previously Skyline LFA)\1-AutoCAD Drawings\Mounting\SKY\_Skyline G768 Mounting

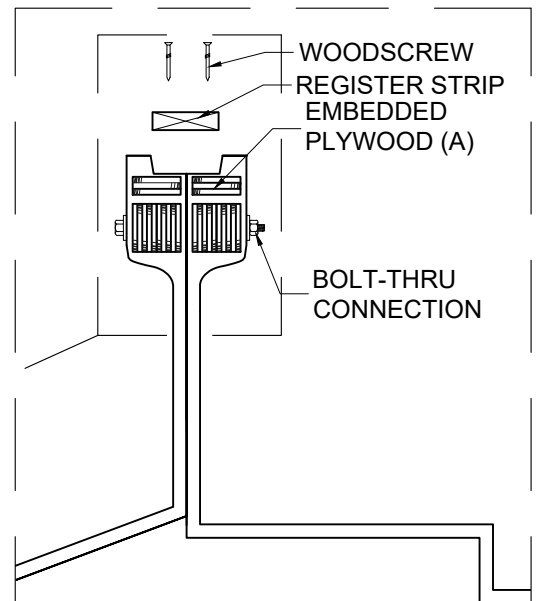


G768 ARRAY (EXPLODED)



G768 ARRAY

SKYLINE MOUNTING DETAIL - RD1



ACOUSTICAL SYSTEMS - LLC

99 SOUTH STREET, PASSAIC, NJ 07055  
 (P) 973-916-1166 (E) estimating@rpgacoustic.com

Title: SKYLINE 6768  
 JOINING MOUNTING DETAIL

Proj:

JOB#:

Date: 8/24/22

By: IND

Scale: NTS

Label:

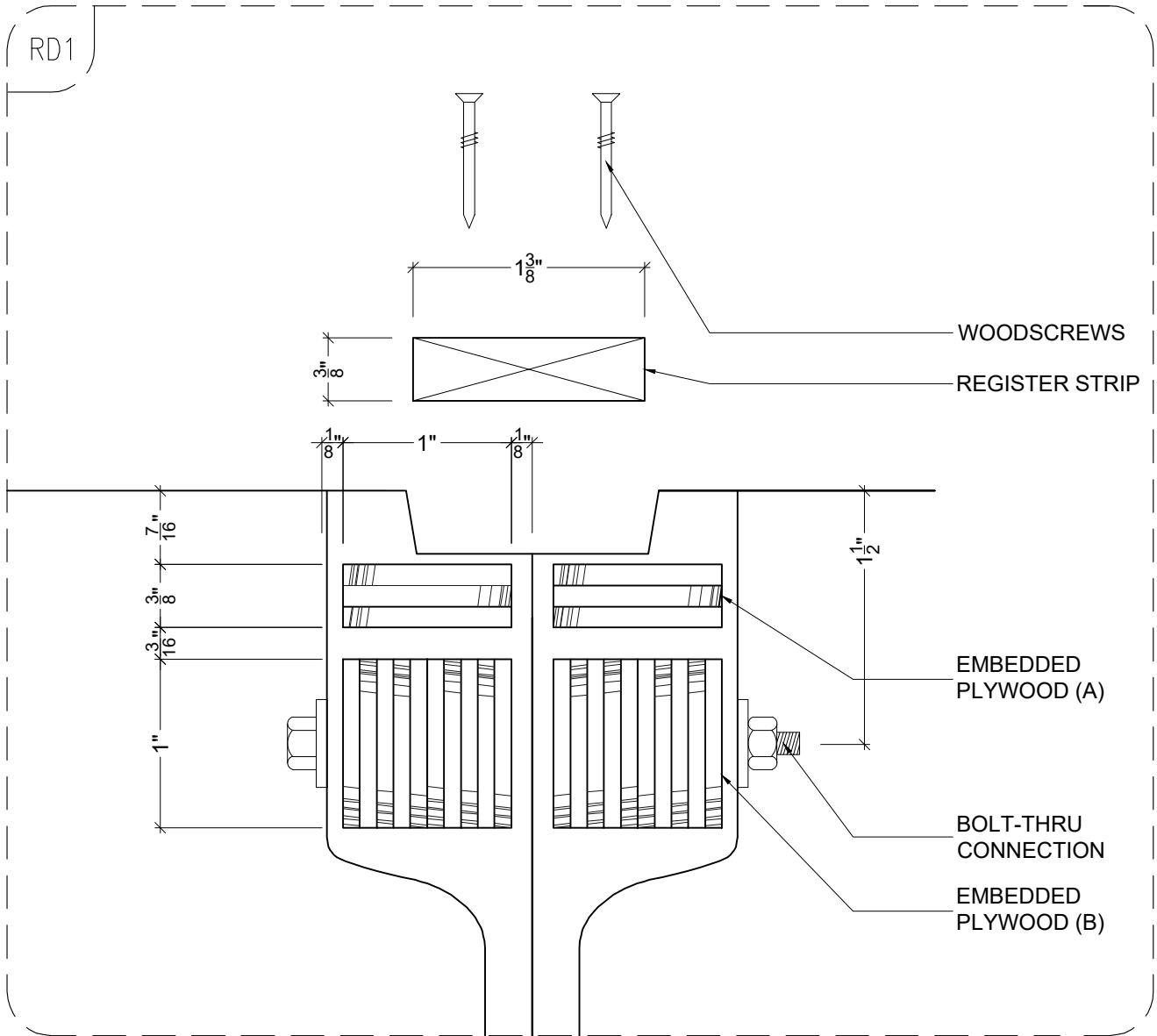
-

Line Item:

QTY.

-

Path: F:\Project Mount - RPG\PROJECTS\ALL PRODUCTS DRAWING\SKY\_Skylines G768 (Previous Skylines LFA)\1-AutoCAD Drawings\Mounting\SKY\_Skylines G768 Mounting



MOUNTING DETAIL - JOINING  
ALL DIMENSIONS SHOWN ARE APPROXIMATE



99 SOUTH STREET, PASSAIC, NJ 07055  
(P) 973-916-1166 (E) estimating@rpgacoustic.com

Title: SKYLINE G768 JOINING MOUNTING DETAIL - RD2		Label: -
Proj:	JOB#:	Line Item: QTY.
Date: 8/24/22	By: IND	Scale: NTS
Path: F:\Project Mount - RPG\PROJECTS\ALL PRODUCTS DRAWING\SKY_Skyline G768 (Previously Skyline LFA)\1- AutoCAD Drawings\Mounting\SKY_Skyline G768 Mounting		