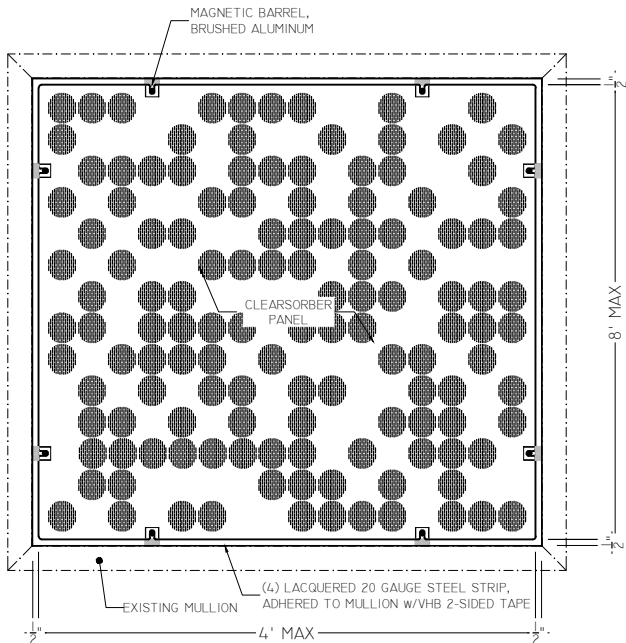
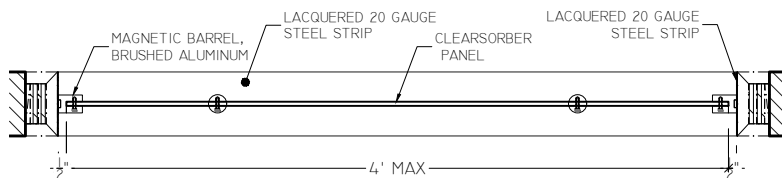


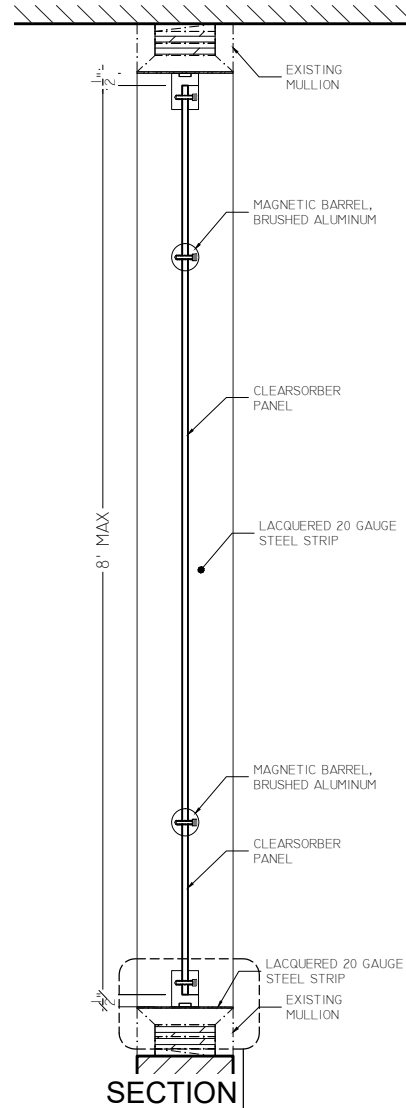
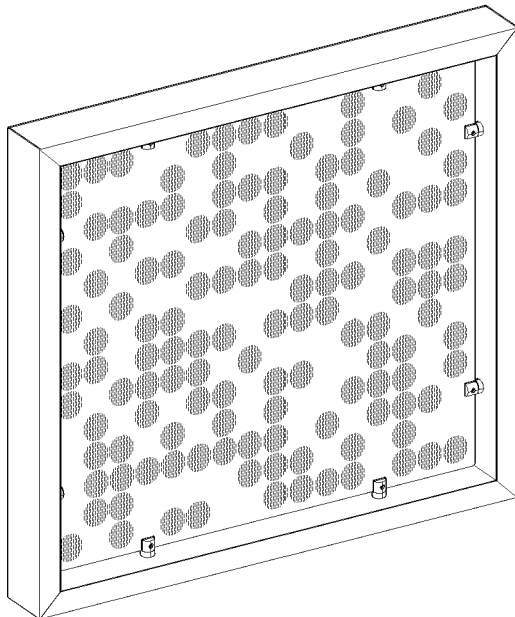
NOTES:
 -HARDWARE ON SIDES RECOMMENDED FOR PANELS OVER 2' HEIGHT, NUMBER AND LOCATION DETERMINATE BY PANEL HEIGHT AND LOCATION.
 -GENERAL RECOMMENDATION IS 1 ATTACHMENT POINT FOR EVERY 2FT OF PANEL PERIMETER.



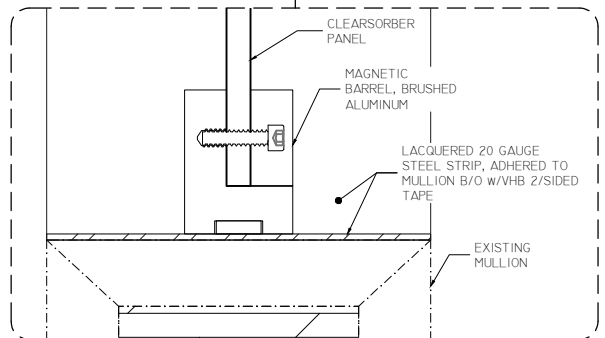
FRONT VIEW



PLAN VIEW



SECTION



99 SOUTH STREET, PASSAIC, NJ 07055
 (P) 973-916-1166 (E) estimating@rpgacoustic.com

Title: **CLEARSORBER PANEL**
 PENETRATION FREE MULLION MOUNT

Proj: *RPG PRODUCT*

JOB#: 10454

Date: 8/22/22

By: CV

Scale: N15

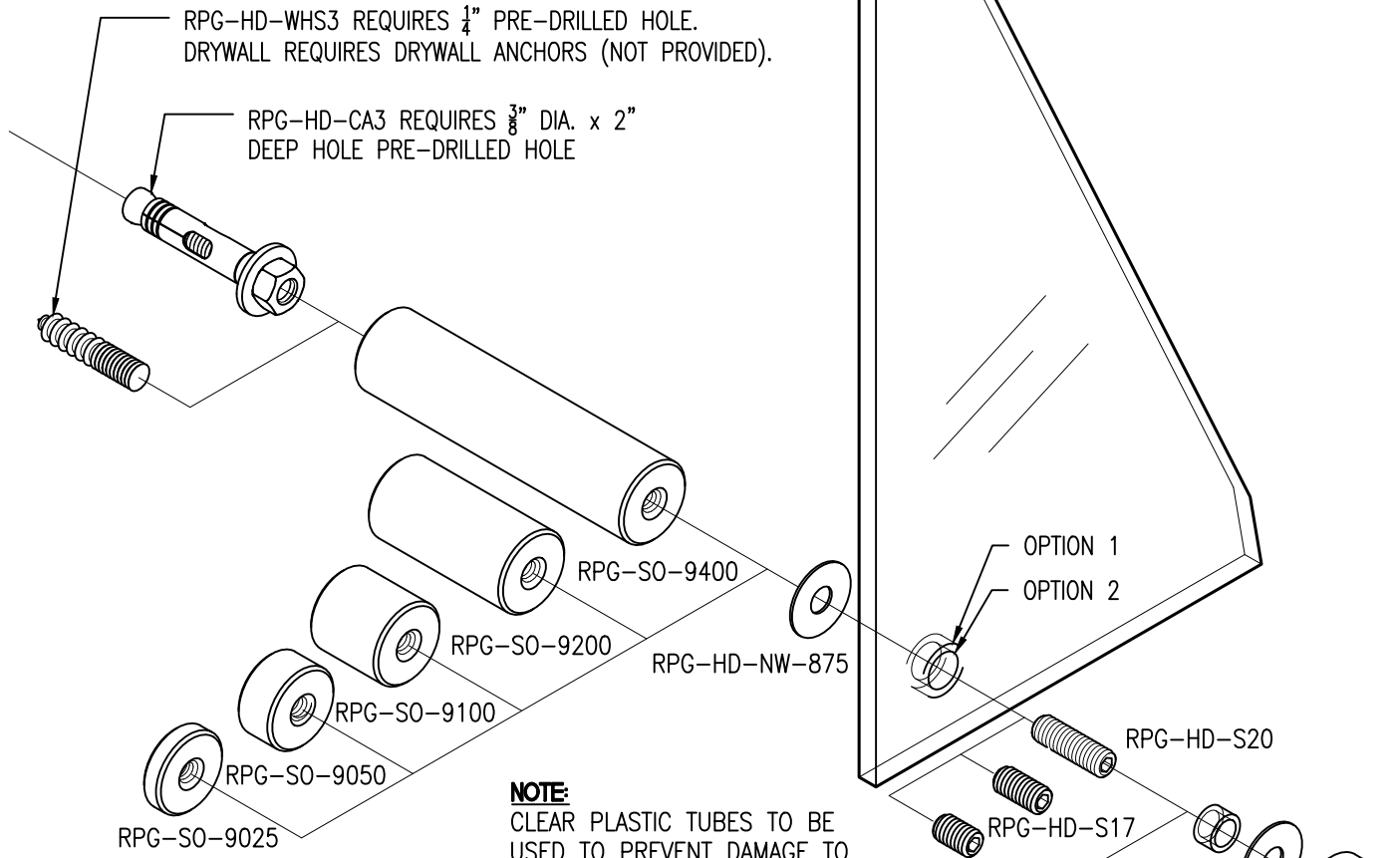
Label:

Line Item: QTY.

-

Path: F:\Project Mgmt - RPG\RPG PRODUCTS\ALL PRODUCTS DRAWING\CLRP_Clearsorber Panel\1- Autocad Drawings\Mounting\Clearsorber Panel Mounting - Magnet to Mullion R1

STANDOFF SYSTEM OPTIONS



RPG-HD-WHS3 REQUIRES 1/4" PRE-DRILLED HOLE.
DRYWALL REQUIRES DRYWALL ANCHORS (NOT PROVIDED).

RPG-HD-CA3 REQUIRES 3/8" DIA. x 2"
DEEP HOLE PRE-DRILLED HOLE

NOTE:
CLEAR PLASTIC TUBES TO BE
USED TO PREVENT DAMAGE TO
PLASTIC PANELS.

HARDWARE

RPG-HD-CA3	CONCRETE ANCHOR
RPG-HD-WHS3	WOOD MOUNT HANGER SCREW
RPG-HD-NW-875	VINYL WASHER
RPG-HD-S20	1" CUP POINT SET SCREW
RPG-HD-S17	5/8" CUP POINT SET SCREW
RPG-HD-S16	1/2" CUP POINT SET SCREW
RPG-HD-PT3	5/16" ID x 7/16" OD x 1/4" CLEAR PLASTIC TUBE
RPG-HD-PTLP1	1/2" ID x 5/8" OD x 1/4" CLEAR PLASTIC TUBE

STANDOFFS

RPG-SO-9400	4" BARREL
RPG-SO-9200	2" BARREL
RPG-SO-9100	1" BARREL
RPG-SO-9050	1/2" BARREL
RPG-SO-9025	1/4" BARREL

CAPS

RPG-SO-CAP9	3/8" HT. x 1" DIA. ROUND CAP
RPG-SO-CAP11	1/8" HT x 1" DIA LOW PROFILE CAP

(1) RPG-HD-NW-875 WASHER
AND (1) RPG-HD-PTLP1 CLEAR
PLASTIC TUBE.

CAP OPTION NO.1

REQUIRES A 5/16"
DIA HOLE IN PANEL

CAP OPTION NO.2

REQUIRES A 5/8"
DIA. HOLE IN PANEL,
(2) RPG-HD-NW-875 WASHERS
AND (1) RPG-HD-PT3 CLEAR
PLASTIC TUBE.



99 SOUTH STREET, PASSAIC, NJ 07055
(P) 973-916-1166 (E) estimating@rpgacoustic.com

Title: STANDOFF SYSTEM
OPTIONS

Proj: RPG PRODUCT

Date: 8/22/22 By: ZAH Scale: 6"=1'-0"

Path: F:\Project Mgmt - RPG\PROJECTS\ALL PRODUCTS DRAWING\CLRP_Cleorsorber Panel\2-PDF Drawings\Mounting

Comments:

HARDWARE

- RPG-HD-CA3
- RPG-HD-NW-875
- RPG-HD-S20
- RPG-HD-PTLP1

- CONCRETE ANCHOR
- VINYL WASHER
- 1" CUP POINT SOCKET SET SCREW
- 1/2"ID x 5/8"OD x 1/4" CLEAR PLASTIC TUBE

STANDOFFS

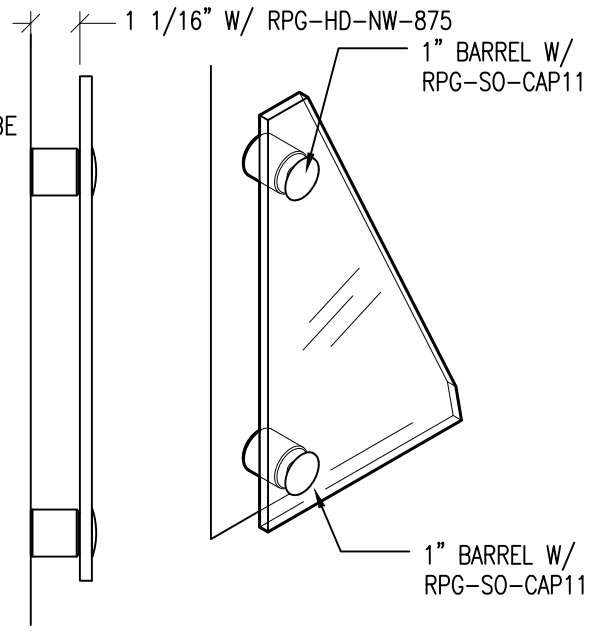
- RPG-SO-9100

- 1" BARREL

CAPS

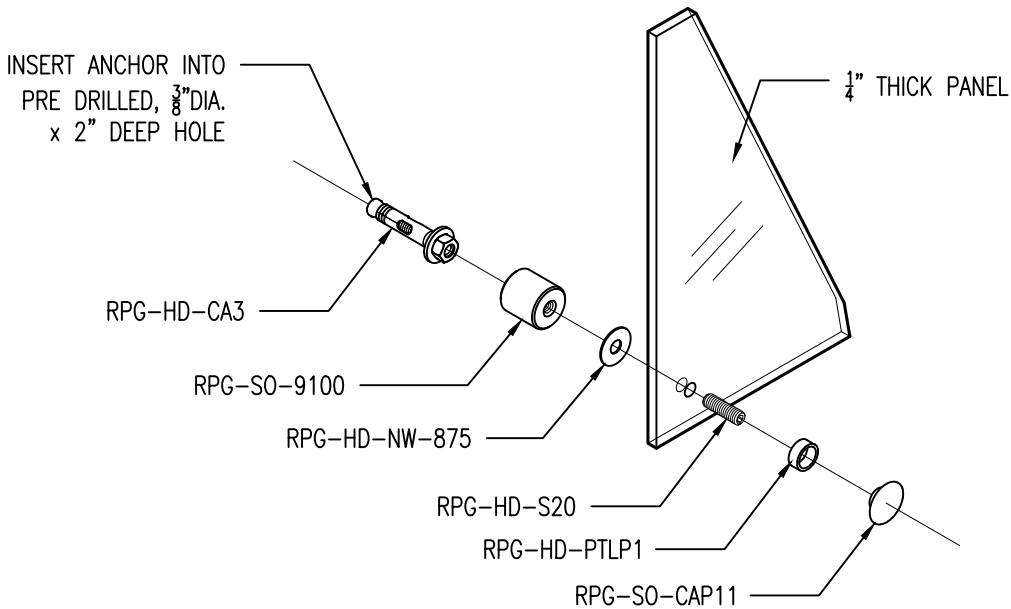
- RPG-SO-CAP11

- 1/8"HT x 1" DIA LOW PROFILE CAP
(5/8"Ø HOLE REQ'D. IF USED WITH
RPG-HD-PTLP1)



SIDE VIEW

ISOMETRIC VIEW



1" BARREL STANDOFF SYSTEM W/ LOW PROFILE CAP EXPLODED PARTS VIEW

1" STANDOFF, MASONRY WALL MOUNTING, WITH LOW PROFILE CAP



99 SOUTH STREET, PASSAIC, NJ 07055
(P) 973-916-1166 (E) estimating@rpgacoustic.com

Title: 1" STANDOFF SYSTEM
MASONRY WALL MOUNTING

Proj: RPG PRODUCT

Date: 8/22/22 By: ZAH Scale: 3"=1'-0"

Path: F:\Project Mgmt - RPG\PROJECTS\ALL PRODUCTS DRAWING\CLRP_Cleorsorber Panel\2-PDF Drawings\Mounting

Comments:

1" BARREL STANDOFF SYSTEM PARTS

NOTE: PARTS LISTED ARE FOR ONE STANDOFF

HARDWARE

- RPG-HD-WHS3 WOOD MOUNT HANGER SCREW
- RPG-HD-NW-875 VINYL WASHER
- RPG-HD-S20 1" CUP POINT SOCKET SET SCREW

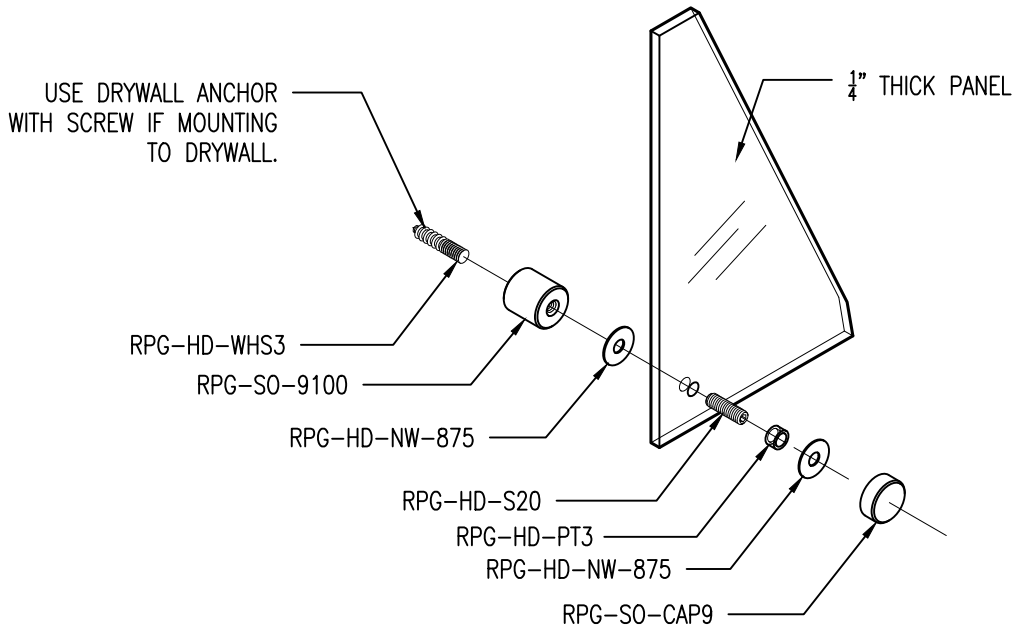
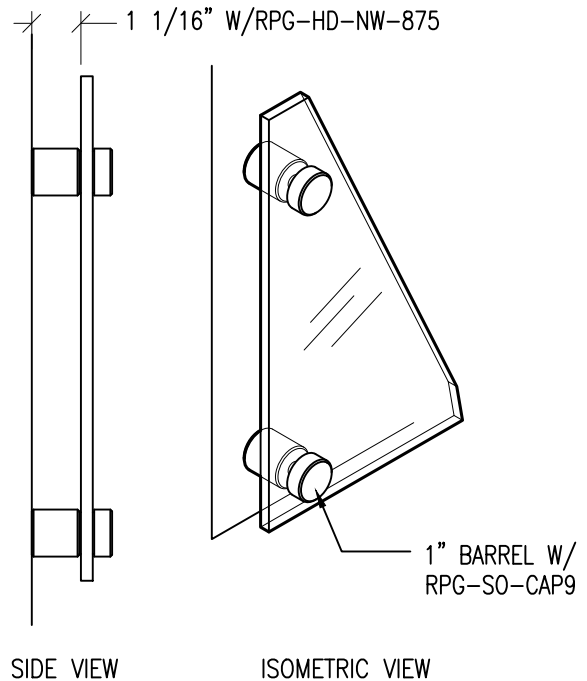
STANDOFFS

- RPG-SO-9100 1" BARREL

CAPS

- RPG-SO-CAP9 3/8"HT. x 1" DIA. ROUND CAP

NOTE: DRYWALL ANCHOR NOT PROVIDED.



1" BARREL STANDOFF SYSTEM EXPLODED PARTS VIEW

1" STANDOFF, DRYWALL WALL MOUNTING, WITH REGULAR CAP



ACOUSTICAL SYSTEMS - LLC

99 SOUTH STREET, PASSAIC, NJ 07055
(P) 973-916-1166 (E) estimating@rpgacoustic.com

Title: 1" STANDOFF SYSTEM
DRYWALL MOUNTING

Proj: RPG PRODUCT

Date: 8/22/22

By: ZAH

Scale: 3/16"=1'-0"

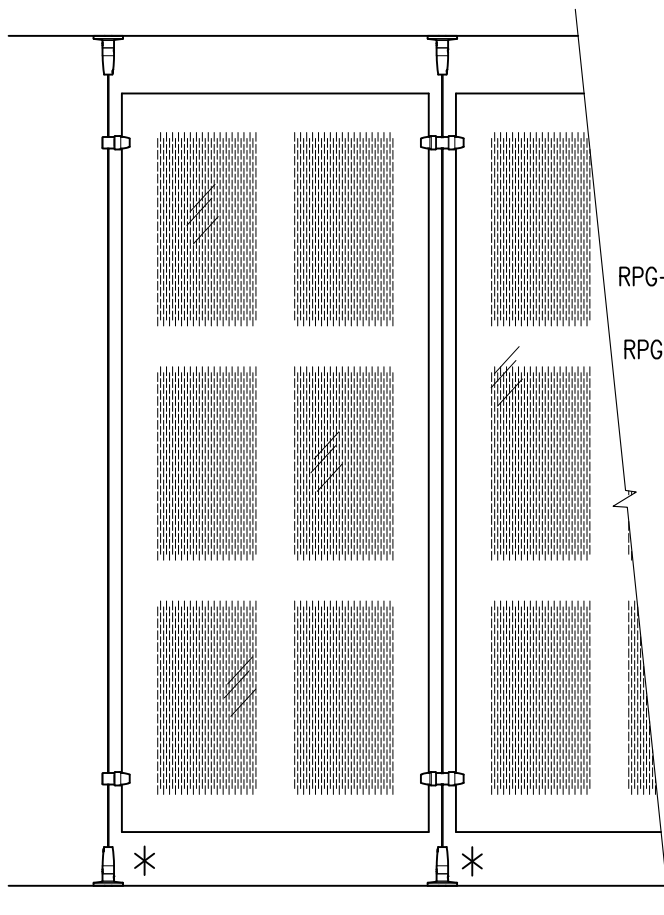
Comments:

Path: F:\Project Mgmt - RPG\PROJECTS\ALL PRODUCTS DRAWING\CLRP_Clearsorber Panel\2-PDF Drawings\Mounting

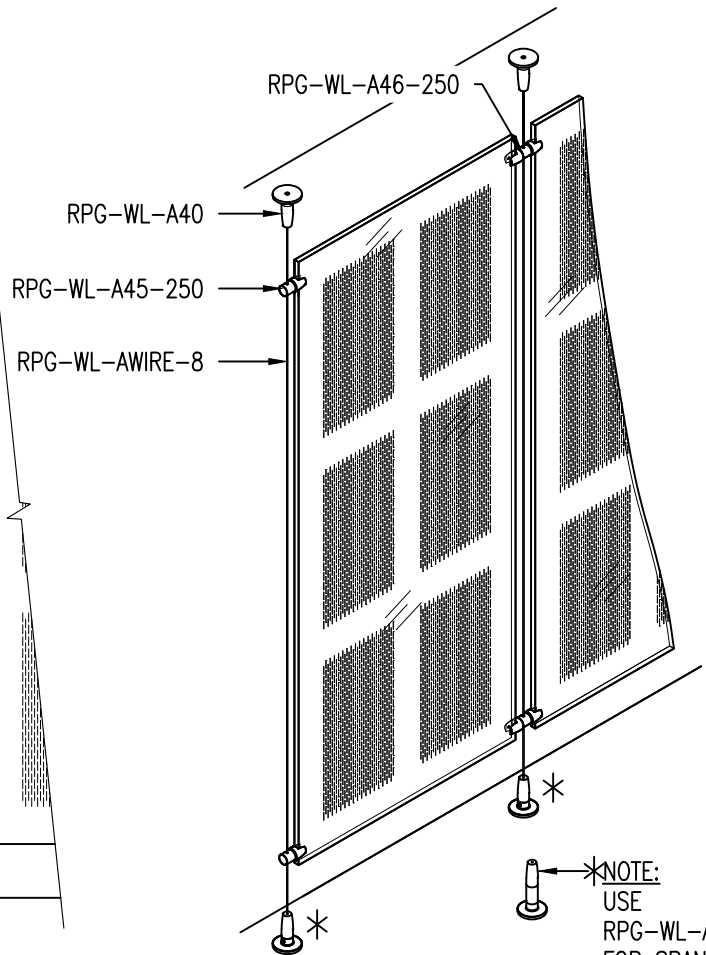
HORIZONTAL SURFACE MOUNTED-VERTICAL TENSIONED WIRE-LITE CABLE SYSTEM

RPG PART NO.	PART DESCRIPTION	QUANTITY
RPG-WL-A40	UNIVERSAL WIRE MOUNT TURNBUCKLE (UP TO 8' LONG WIRE)	4 MIN.
RPG-WL-A41*	EXTENDED WIRE TURNBUCKLE (FOR 8'-10' LONG WIRE)	
RPG-WL-A45-250	$\frac{1}{4}$ " SINGLE CLIP WITH WIRE CONNECTOR	4
RPG-WL-A46-250	$\frac{1}{4}$ " DOUBLE CLIP WITH WIRE CONNECTOR	2 MIN.
RPG-WL-AWIRE	$\frac{3}{64}$ " ϕ WIRE - 8' LENGTH (CUT TO DESIRED LENGTH AT TIME OF INSTALLATION)	2 MIN.

NOTE:
 NUMBER OF PANEL GRIPPERS WILL VARY DEPENDING ON PANEL SIZE.
 *USE EXTENDED TURNBUCKLE RPG-WL-A41 FOR SPANS OF 8'-10' LONG.



FRONT VIEW



ISOMETRIC VIEW



ACOUSTICAL SYSTEMS - LLC
 99 SOUTH STREET, PASSAIC, NJ 07055
 (P) 973-916-1166 (E) estimating@rpgacoustic.com

Title: WIRE-LITE SUSPENSION SYSTEM I
 TENSIONED 3/64" DIA. WIRE

Proj: RPG PRODUCT

Date: 8/22/22 By: CNN Scale: 1 1/2" = 1'-0"

Path: F:\Project Mgmt - RPG\PROJECTS\ALL PRODUCTS DRAWING\CLRP_Clearsorber Panel\2-PDF Drawings\Mounting

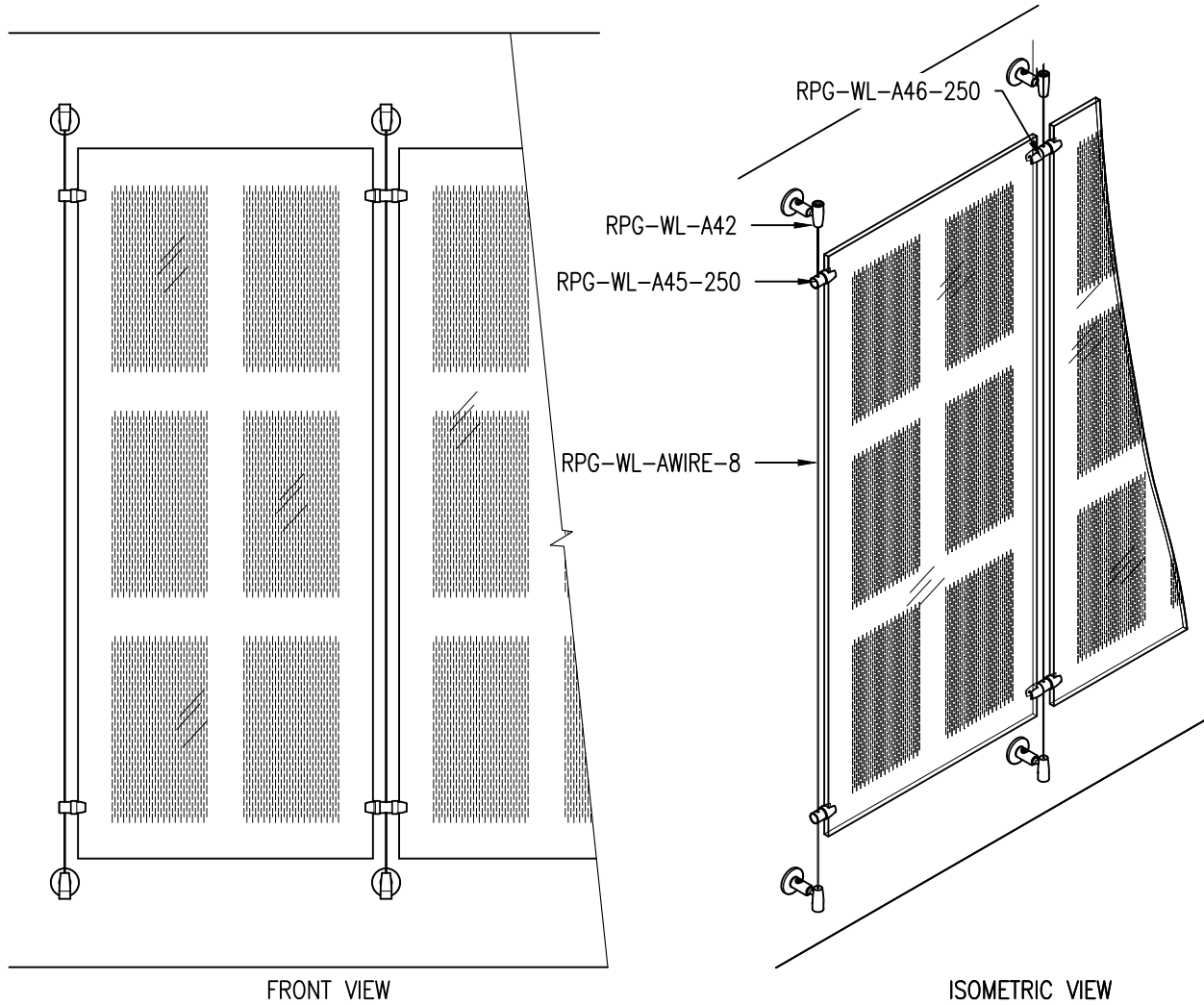
Comments:

VERTICAL SURFACE MOUNTED-VERTICAL TENSIONED WIRE-LITE CABLE SYSTEM

RPG PART NO.	PART DESCRIPTION	QUANTITY
RPG-WL-A42	UNIVERSAL WIRE SWIVEL MOUNT TURNBUCKLE (UP TO 8' LONG WIRE)	4 MIN.
RPG-WL-A45-250	$\frac{1}{4}$ " SINGLE CLIP WITH WIRE CONNECTOR	4
RPG-WL-A46-250	$\frac{1}{4}$ " DOUBLE CLIP WITH WIRE CONNECTOR	2 MIN.
RPG-WL-AWIRE	$\frac{3}{64}$ " ϕ WIRE - 8' LENGTH	2 MIN.

NOTE:

1. NUMBER OF PANEL GRIPPERS WILL VARY DEPENDING ON PANEL SIZE.
2. WHEN RPG-WL-A42 IS USED AS TOP MOUNT, DO NOT TIGHTEN SET SCREW.



ACOUSTICAL SYSTEMS - LLC
 99 SOUTH STREET, PASSAIC, NJ 07055
 (P) 973-916-1166 (E) estimating@rpgacoustic.com

Title: WIRE-LITE SUSPENSION SYSTEM 2
 TENSIONED 3/64" DIA. WIRE

Proj: RPG PRODUCT

Date: 8/22/22 **By:** CNN **Scale:** 1 1/2" = 1'-0"

Path: F:\Project Mgmt - RPG\RPG PRODUCTS\ALL PRODUCTS DRAWING\CLRP_Clearsorber Panel\2-PDF Drawings\Mounting

Comments:

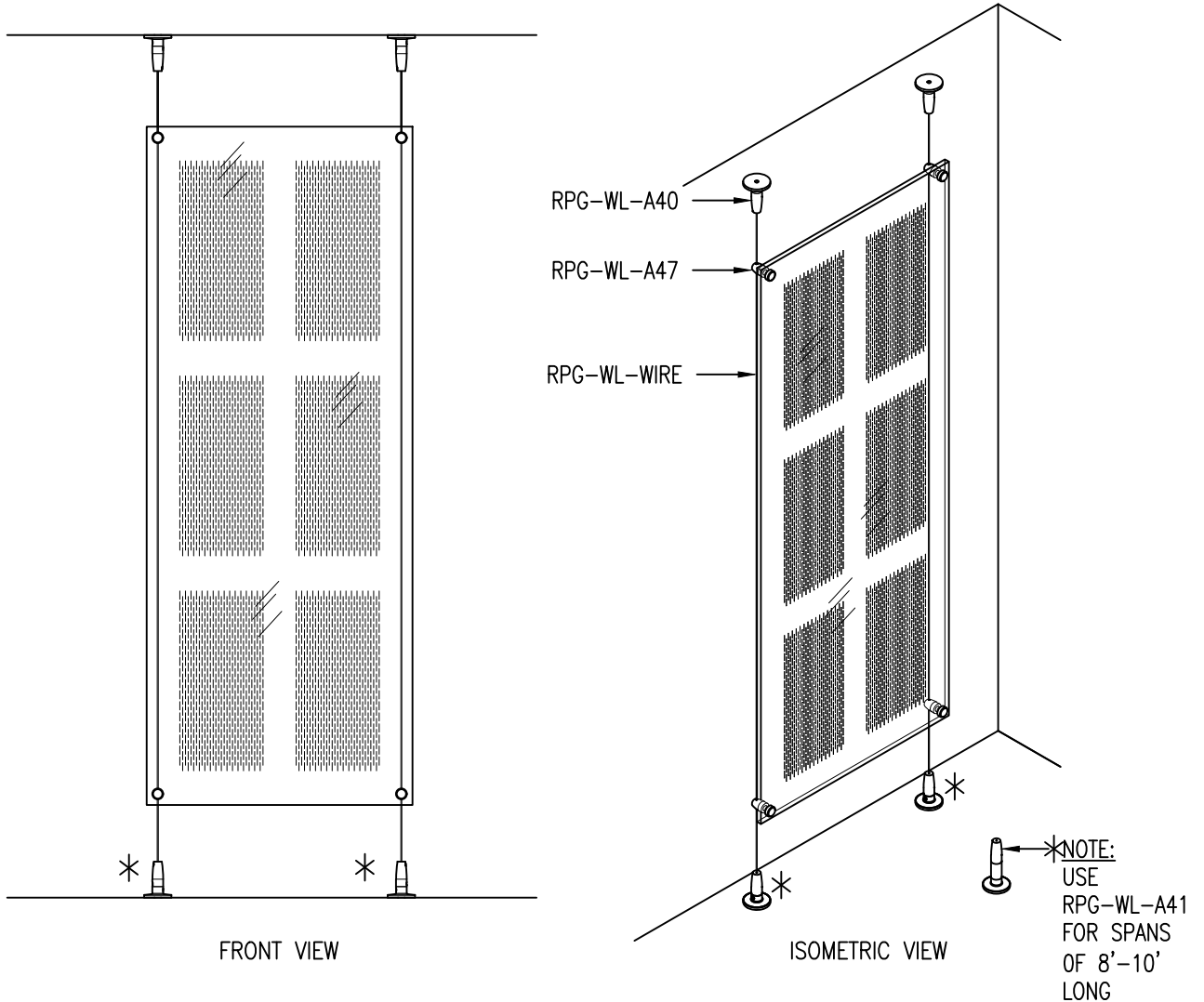
HORIZONTAL SURFACE MOUNTED-VERTICAL TENSIONED WIRE-LITE CABLE SYSTEM

RPG PART NO.	PART DESCRIPTION	QUANTITY
RPG-WL-A40	UNIVERSAL WIRE MOUNT TURNBUCKLE (UP TO 8' LONG WIRE)	4 MIN.
RPG-WL-A41*	EXTENDED WIRE TURNBUCKLE (FOR 8'-10' LONG WIRE)	
RPG-WL-A47	WIRE CONNECTOR WITH CAP	4 MIN.
RPG-WL-AWIRE	$\frac{3}{64}$ " ϕ WIRE - 8' LENGTH (CUT TO DESIRED LENGTH AT TIME OF INSTALLATION)	2 MIN.

NOTE:

NUMBER OF PANEL GRIPPERS WILL VARY DEPENDING ON PANEL SIZE.

*USE EXTENDED TURNBUCKLE RPG-WL-A41 FOR SPANS OF 8'-10' LONG.



ACOUSTICAL SYSTEMS - LLC
 99 SOUTH STREET, PASSAIC, NJ 07055
 (P) 973-916-1166 (E) estimating@rpgacoustic.com

Title: WIRE-LITE SUSPENSION SYSTEM 3
 TENSIONED 3/64" DIA. WIRE

Proj: RPG PRODUCT

Date: 8/22/22 **By:** CNN **Scale:** 1 1/2" = 1'-0"

Path: F:\Project Mgmt - RPG\ -RPG PRODUCTS\ALL PRODUCTS DRAWING\CLRP_Clearsorber Panel\2-PDF Drawings\Mounting

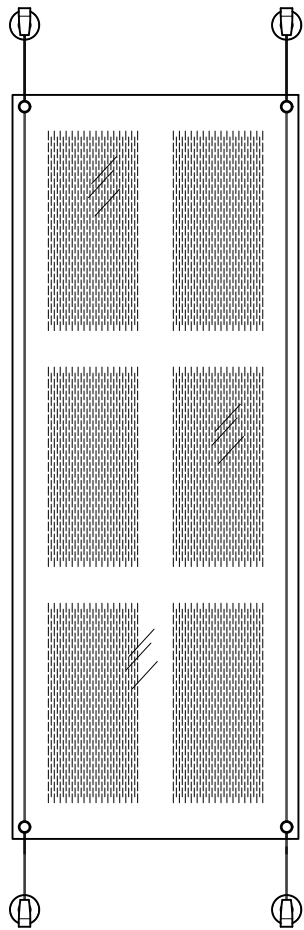
Comments:

VERTICAL SURFACE MOUNTED-VERTICAL TENSIONED WIRE-LITE CABLE SYSTEM

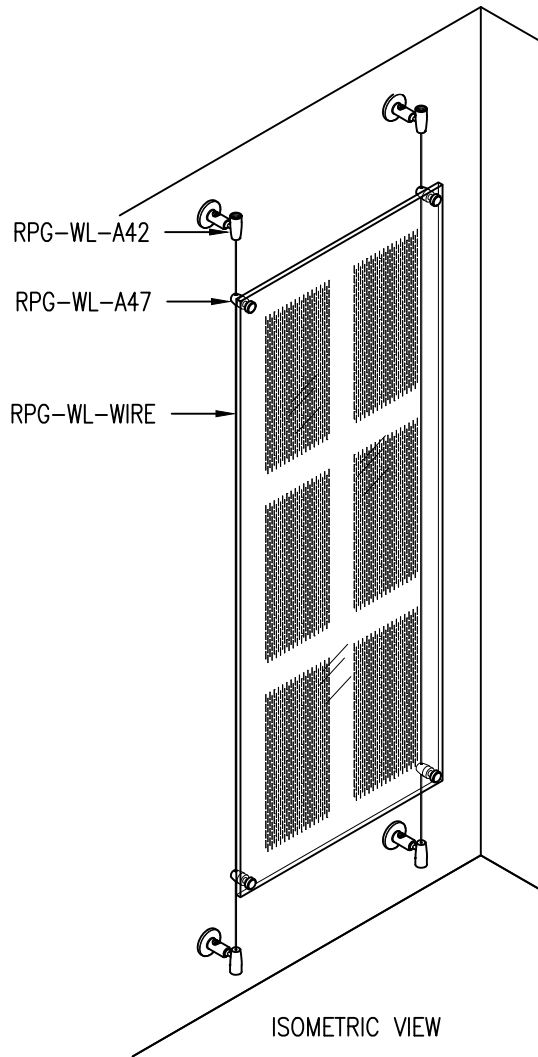
RPG PART NO.	PART DESCRIPTION	QUANTITY
RPG-WL-A42	UNIVERSAL WIRE SWIVEL MOUNT TURNBUCKLE (UP TO 8' LONG WIRE)	4 MIN.
RPG-WL-A47	WIRE CONNECTOR WITH CAP	4 MIN.
RPG-WL-AWIRE	$\frac{3}{64}$ " \varnothing WIRE - 8' LENGTH (CUT TO DESIRED LENGTH AT TIME OF INSTALLATION)	2 MIN.

NOTE:

1. NUMBER OF PANEL GRIPPERS WILL VARY DEPENDING ON PANEL SIZE.
2. WHEN RPG-WL-A42 IS USED AS TOP MOUNT, DO NOT TIGHTEN SET SCREW.



FRONT VIEW



ISOMETRIC VIEW



99 SOUTH STREET, PASSAIC, NJ 07055
(P) 973-916-1166 (E) estimating@rpgacoustic.com

Title: WIRE-LITE SUSPENSION SYSTEM 4
TENSIONED 3/64" DIA. WIRE

Proj: RPG PRODUCT

Date: 8/22/22

By: CNN

Scale: 1/2" = 1'-0"

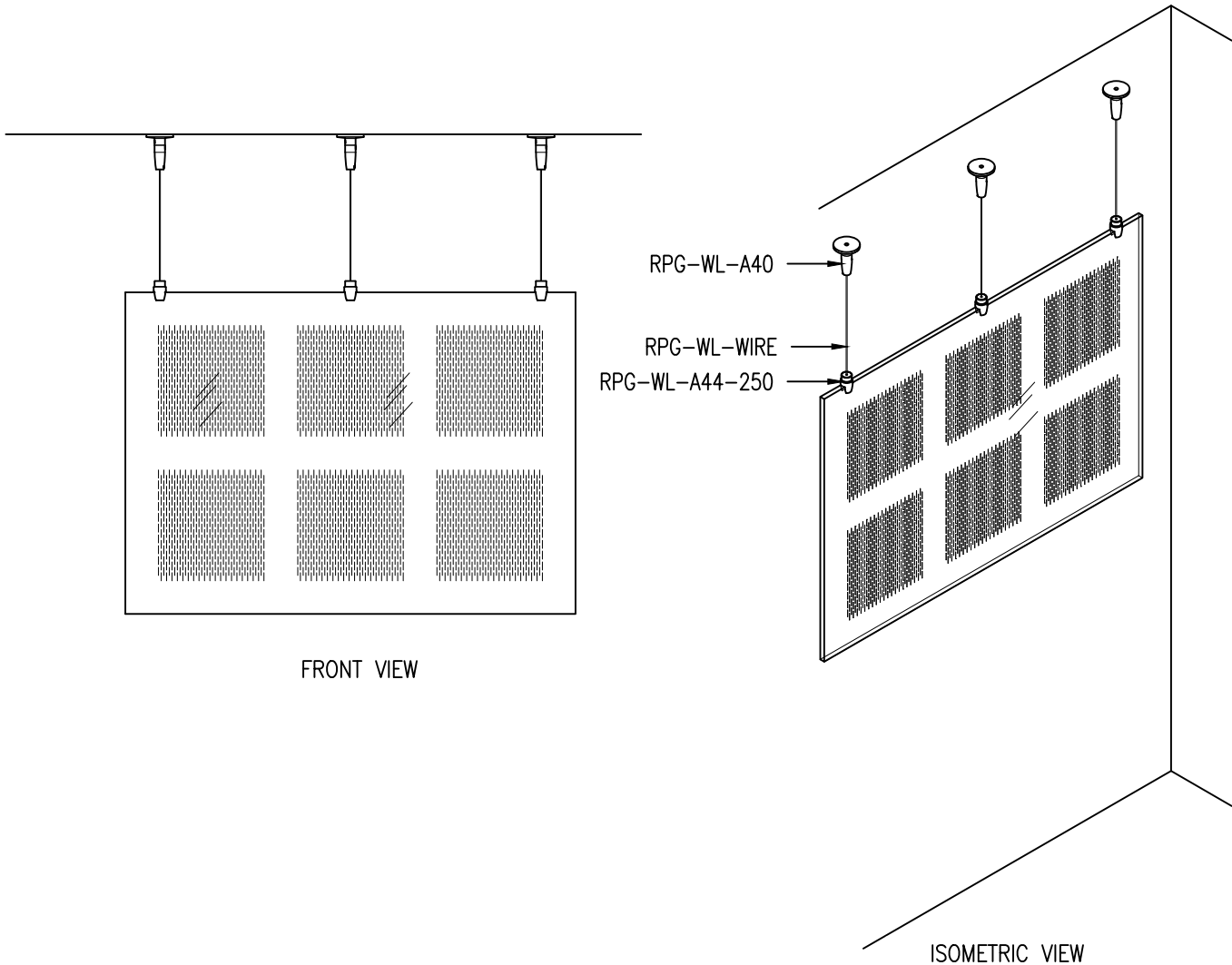
Comments:

Path: F:\Project Mgmt - RPG\RPG PRODUCTS\ALL PRODUCTS DRAWING\CLRP_Clearsorber Panel\2-PDF Drawings\Mounting

HORIZONTAL SURFACE MOUNTED-VERTICAL HANGING WIRE-LITE CABLE SYSTEM

RPG PART NO.	PART DESCRIPTION	QUANTITY
RPG-WL-A40	UNIVERSAL WIRE MOUNT TURNBUCKLE (UP TO 8' LONG WIRE)	2 MIN.
RPG-WL-A44-250	$\frac{1}{4}$ " CLIP WITH VERTICAL WIRE CONNECTOR	2 MIN.
RPG-WL-AWIRE	$\frac{3}{64}$ " ϕ WIRE - 8' LENGTH (CUT TO DESIRED LENGTH AT TIME OF INSTALLATION)	2 MIN.

NOTE:
NUMBER OF PANEL GRIPPERS WILL VARY DEPENDING ON PANEL SIZE.



99 SOUTH STREET, PASSAIC, NJ 07055
(P) 973-916-1166 (E) estimating@rpgacoustic.com

Title: WIRE-LITE SUSPENSION SYSTEM 5
HANGING $\frac{3}{64}$ " DIA. WIRE

Proj: RPG PRODUCT

Date: 8/22/22 By: CNN Scale: 1/2" = 1'-0"

Path: F:\Project Mgmt - RPG\ -RPG PRODUCTS\ALL PRODUCTS DRAWING\CLRP_Cleorsorber Panel\2-PDF Drawings\Mounting

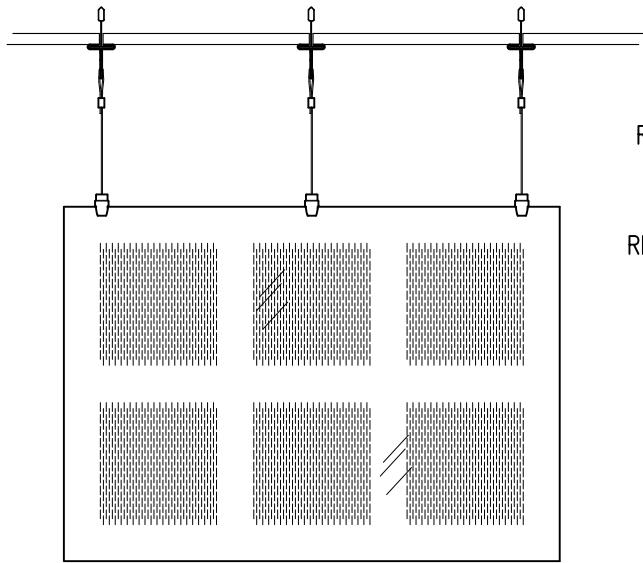
Comments:

DROP CEILING-VERTICAL HANGING SUSPENSION CABLE SYSTEM (OPTION 1)

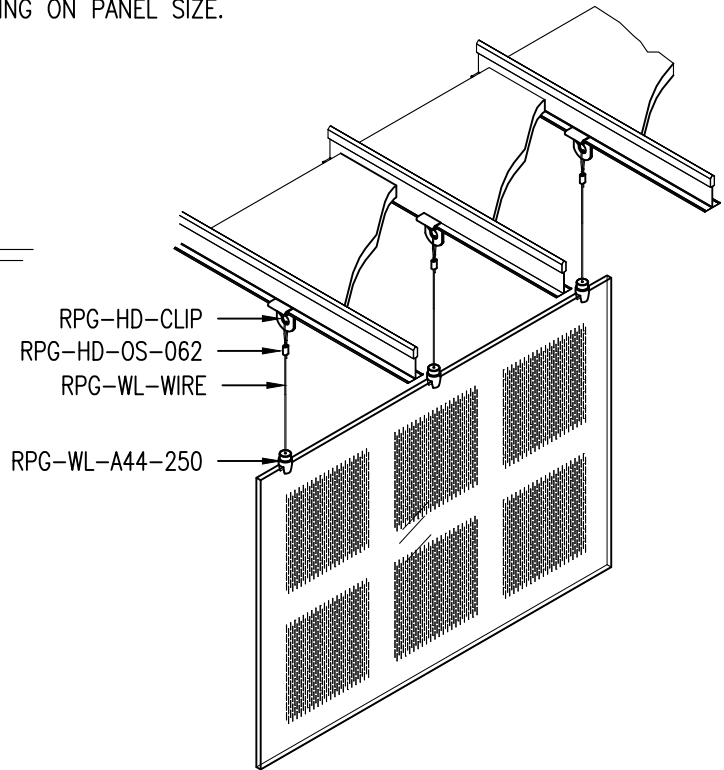
RPG PART NO.	PART DESCRIPTION	QUANTITY
RPG-HD-CLIP	T-BAR DROP CEILING HANGER	2 MIN.
RPG-WL-A44-250	$\frac{1}{4}$ " CLIP WITH VERTICAL WIRE CONNECTOR	2 MIN.
RPG-WS-WIRE	$\frac{3}{64}$ " ϕ WIRE - (CUT TO DESIRED LENGTH AT TIME OF INSTALLATION)	2 MIN.
RPG-HD-OS-062	OVAL WIRE CRIMP SLEEVE FOR $\frac{3}{64}$ " DIA. WIRE	2 MIN.

NOTE:

1. NUMBER OF PANEL GRIPPERS WILL VARY DEPENDING ON PANEL SIZE.
2. 15 LBS. MAXIMUM LOAD.



FRONT VIEW



ISOMETRIC VIEW



ACOUSTICAL SYSTEMS - LLC

99 SOUTH STREET, PASSAIC, NJ 07055
(P) 973-916-1166 (E) estimating@rpgacoustic.com

Title: WIRE-LITE SUSPENSION SYSTEM 6
HANGING $\frac{3}{64}$ " DIA. WIRE

Proj: RPG PRODUCT

Date: 8/22/22

By: CNN

Scale: 1/2" = 1'-0"

Comments:

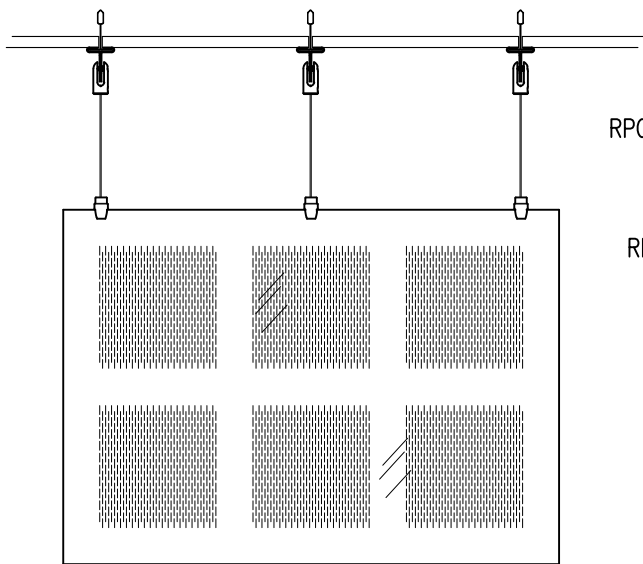
Path: F:\Project Mgmt - RPG\RPG PRODUCTS\ALL PRODUCTS DRAWING\CLRP_Clearsorber Panel\2-PDF Drawings\Mounting

DROP CEILING-VERTICAL HANGING SUSPENSION CABLE SYSTEM (OPTION 2)

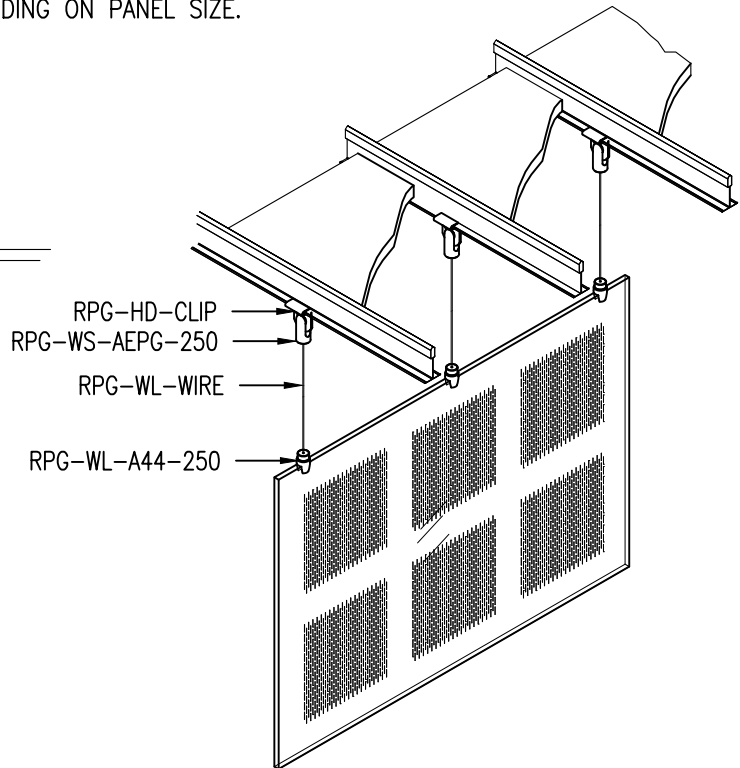
RPG PART NO.	PART DESCRIPTION	QUANTITY
RPG-HD-CLIP	T-BAR DROP CEILING HANGER	2 MIN.
RPG-WL-A44-250	$\frac{1}{4}$ " CLIP WITH VERTICAL WIRE CONNECTOR	2 MIN.
RPG-WS-WIRE	$\frac{3}{64}$ " ϕ WIRE - (CUT TO DESIRED LENGTH AT TIME OF INSTALLATION)	2 MIN.
RPG-WS-AEPG-250	ECONO PANEL GRIPPER/ $\frac{3}{64}$ " ϕ WIRE GRIPPER	2 MIN.

NOTE:

1. NUMBER OF PANEL GRIPPERS WILL VARY DEPENDING ON PANEL SIZE.
2. 15 LBS. MAXIMUM LOAD.



FRONT VIEW



ISOMETRIC VIEW



ACOUSTICAL SYSTEMS - LLC
 99 SOUTH STREET, PASSAIC, NJ 07055
 (P) 973-916-1166 (E) estimating@rpgacoustic.com

Title: WIRE-LITE SUSPENSION SYSTEM 7
 $\frac{3}{64}$ " DIA. WIRE

Proj: RPG PRODUCT

Date: 8/22/22

By: CNN

Scale: 1/2" = 1'-0"

Comments:

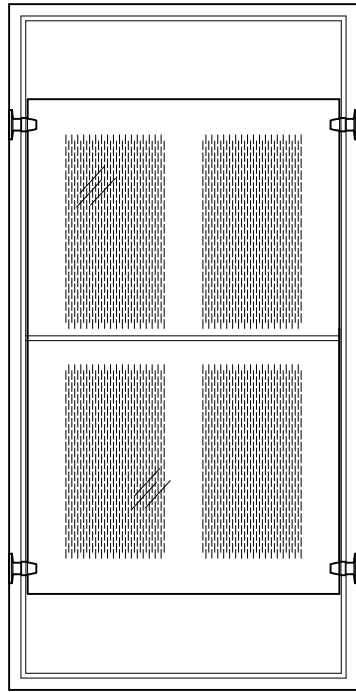
Path: F:\Project Mgmt - RPG_-RPG PRODUCTS\ALL PRODUCTS DRAWING\CLRP_Cleorsorber Panel\2-PDF Drawings\Mounting

VERTICAL SURFACE MOUNTED WIRE-LITE SURFACE MOUNT CLIP SYSTEM

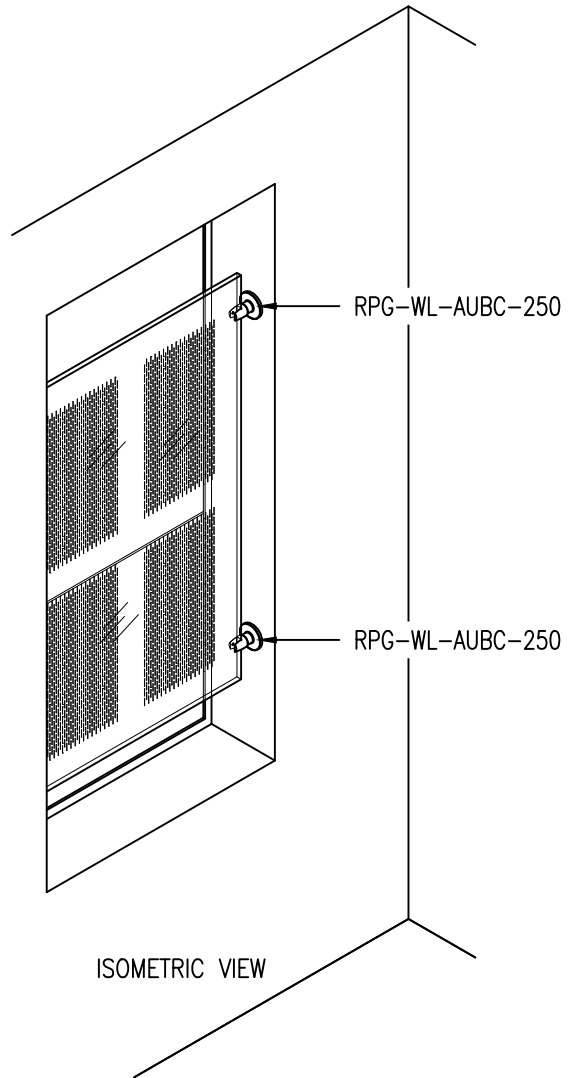
RPG PART NO.	PART DESCRIPTION	QUANTITY
RPG-WL-AUBC-250	$\frac{1}{4}$ " CLIP SURFACE MOUNT	4 MIN.

NOTE:

1. NUMBER OF PANEL GRIPPERS WILL VARY DEPENDING ON PANEL SIZE.



FRONT VIEW



ISOMETRIC VIEW



99 SOUTH STREET, PASSAIC, NJ 07055
(P) 973-916-1166 (E) estimating@rpgacoustic.com

Title: WIRE-LITE SURFACE MOUNT CLIP SYSTEM

Proj: RPG PRODUCT

Date: 8/22/22

By: CNN

Scale: 1/2" = 1'-0"

Comments:

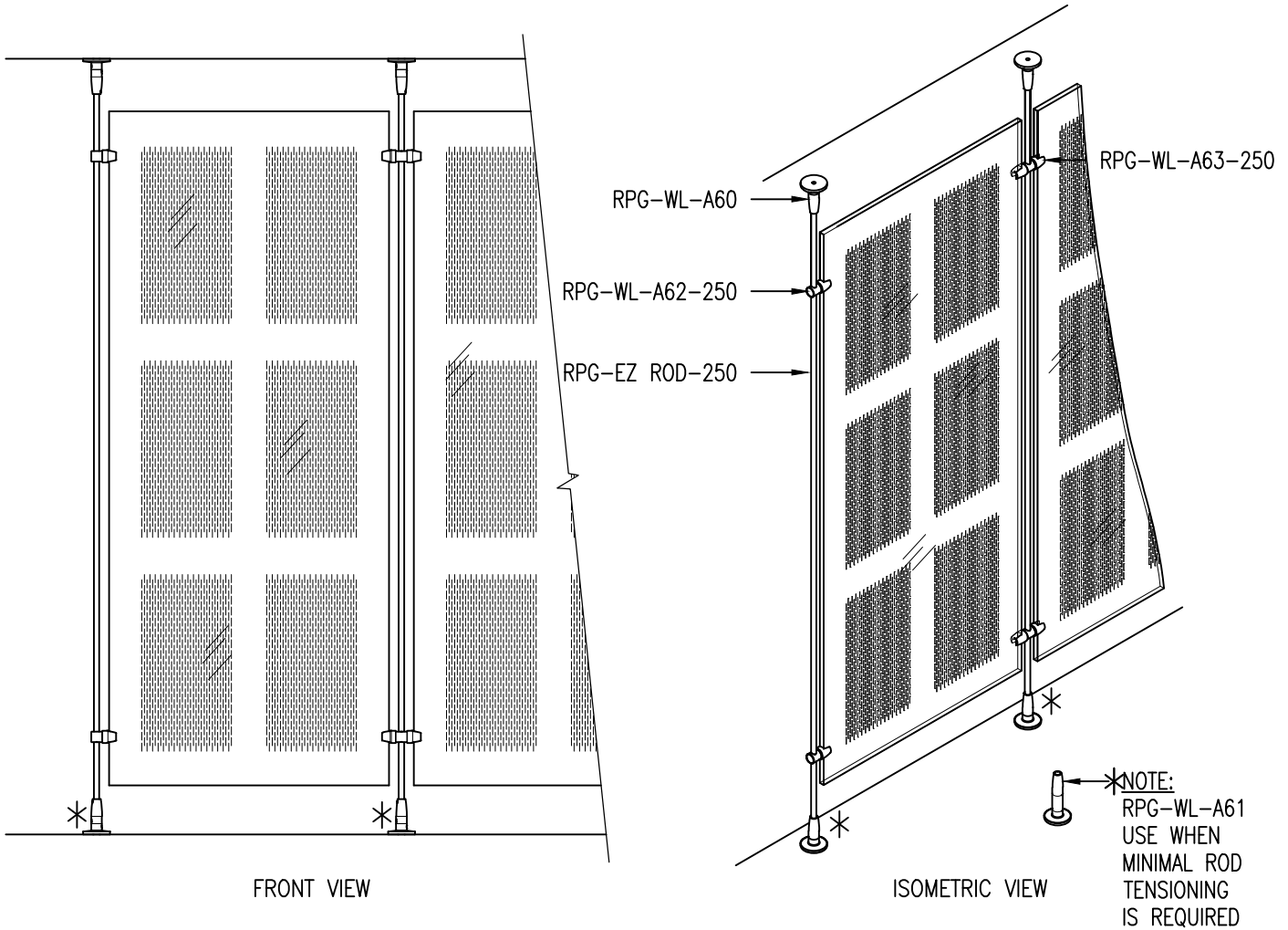
Path: F:\Project Mgmt - RPG\RPG PRODUCTS\ALL PRODUCTS DRAWING\CLRP_Clearsorber Panel\2-PDF Drawings\Mounting

HORIZONTAL SURFACE MOUNTED-VERTICAL WIRE-LITE ROD SYSTEM

RPG PART NO.	PART DESCRIPTION	QUANTITY
RPG-WL-A60	UNIVERSAL 1/4" ROD MOUNT	4 MIN.
RPG-WL-A61	1/4" ROD TURNBUCKLE (USE WHEN TENSION IS REQUIRED)	2 MIN.
RPG-WL-A62-250	1/4" SINGLE CLIP WITH WIRE CONNECTOR	4 MIN.
RPG-WL-A63-250	1/4" DOUBLE CLIP WITH WIRE CONNECTOR	2 MIN.
RPG-EZ-ROD-250	1/4" DIA. ROD (8' OR 12" STOCK LENGTH)	VARIABLES ON SPAN LENGTH

NOTE:

1. 1/4" ALUMINUM ROD IS FLEXIBLE AND INTENDED FOR SHORT DISTANCES.
2. NUMBER OF PANEL GRIPPERS WILL VARY DEPENDING ON PANEL SIZE.
3. *USE RPG-WL-A61 WHEN MINIMAL ROD TENSIONING IS REQUIRED.



99 SOUTH STREET, PASSAIC, NJ 07055
(P) 973-916-1166 (E) estimating@rpgacoustic.com

Title: WIRE-LITE ROD SYSTEM I
1/4" DIA. ROD

Proj: RPG PRODUCT

Date: 8/22/22 By: ZAH Scale: 1/2" = 1'-0"

Path: F:\Project Mgmt - RPG\PROJECTS\ALL PRODUCTS DRAWING\CLRP_Clearsorber Panel\2-PDF Drawings\Mounting

Comments:
