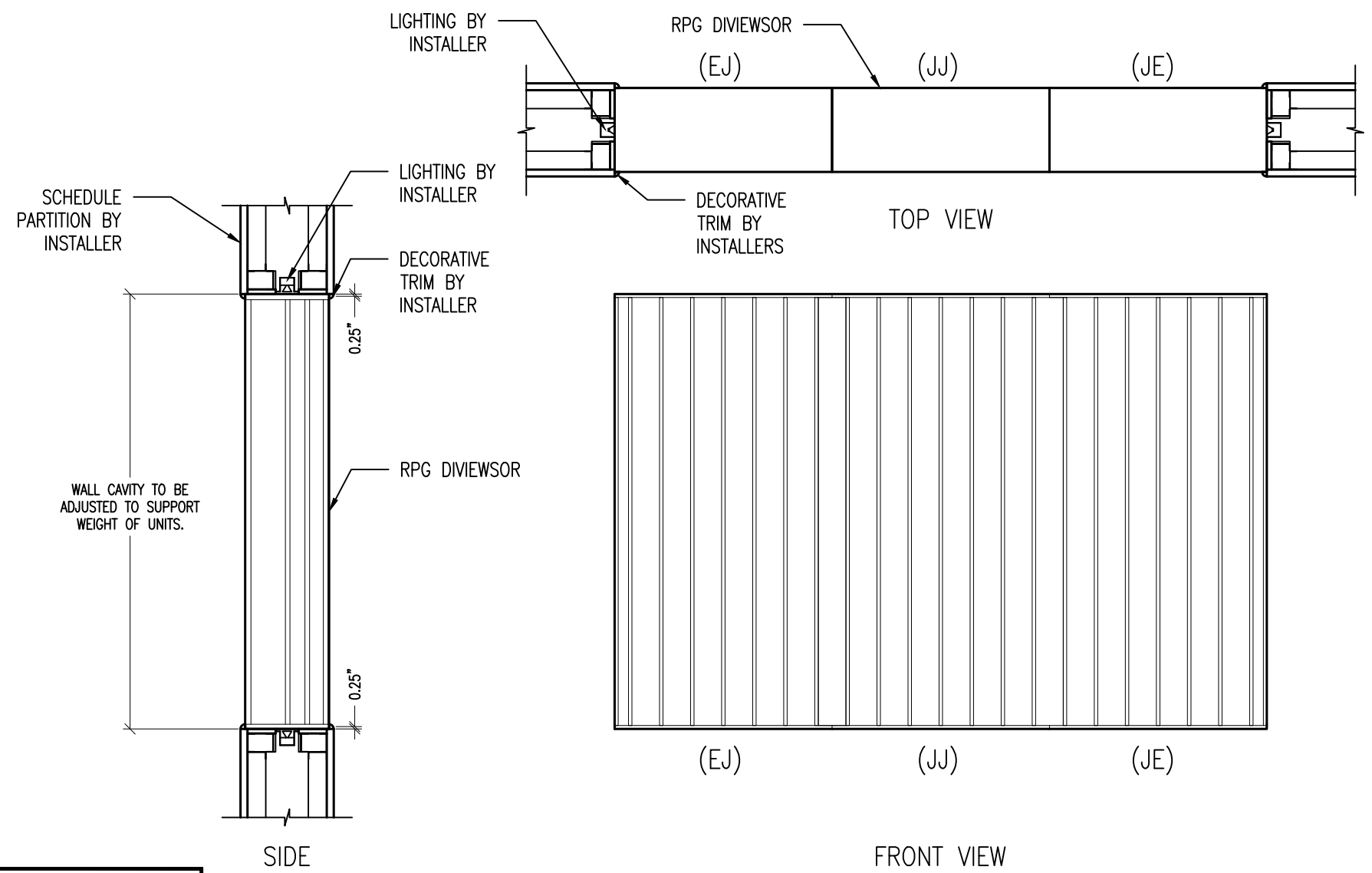
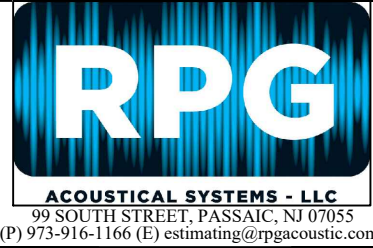


ISOMETRIC VIEW



SIDE

FRONT VIEW



Title: RPG DIVIEWSOR 4X2 MOUNTING
 Proj: RPG PRODUCT
 Date: 8/25/22 By: HTP Scale: 3/4" = 1'-0"
 Path: F:\Project Mgmt - RPG\ - RPG PRODUCTS\ALL PRODUCTS DRAWING\ORD75PQY_Diviewisor\I- AutoCAD Drawings\Mounting\Diviewisor Mounting.RI

Comments:

