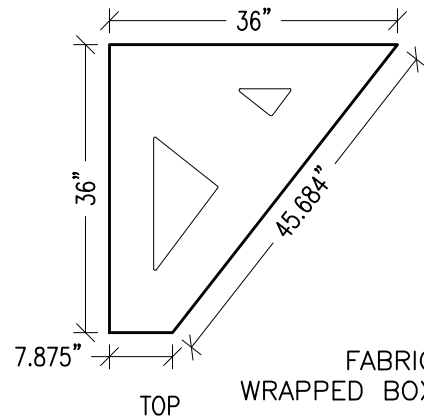
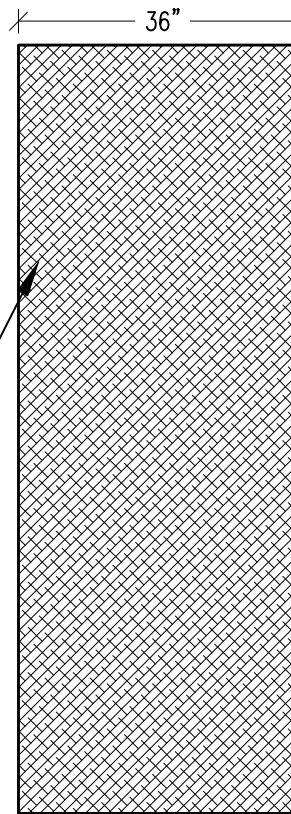


ISOMETRIC

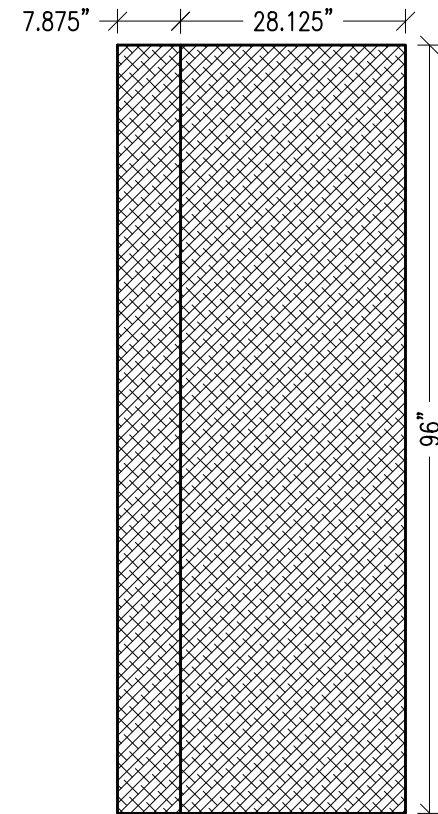


TOP

FABRIC WRAPPED BOX



SIDE



FRONT

MDEX - MODEX EDGE 3'X3'

PARTS FROM " PLYWOOD/MDF

FRONT 1 PC. @ 7.875"x96"

TOP/BOTTOM 2 PCS. @ 36"x36"

LEFT SIDE 1PC. 36"x96"

RIGHT SIDE 1PC. 45.684"x96"

SUPPORTS 4PCS. @ 36"x36"

RIBS 2PCS. @ 26.25"x23.25"

DIVIDERS 4PCS. @ 26.25"x22.25"

BACK 1PC. @ 36"x96"



99 SOUTH STREET, PASSAIC, NJ 07055
(P) 973-916-1166 (E) estimating@rpgacoustic.com

Title: *RPG MDEX - MODEX EDGE 3'X3'*
CUTSHEET

Proj: *RPG PRODUCT*

Date: *8/22/22*

By: *JLP*

Scale: *N15*

Comments:

Path: *F:\Project Mgmt - RPG\RPG PRODUCTS\ALL PRODUCTS DRAWING\MDEX_ModeX Edge\1- AutoCAD Drawings\Cutsheet\MDEX - Modex Edge 3X3 CS.RI*