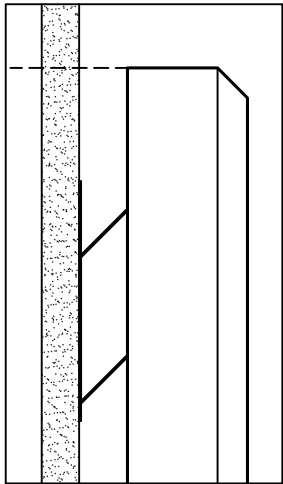


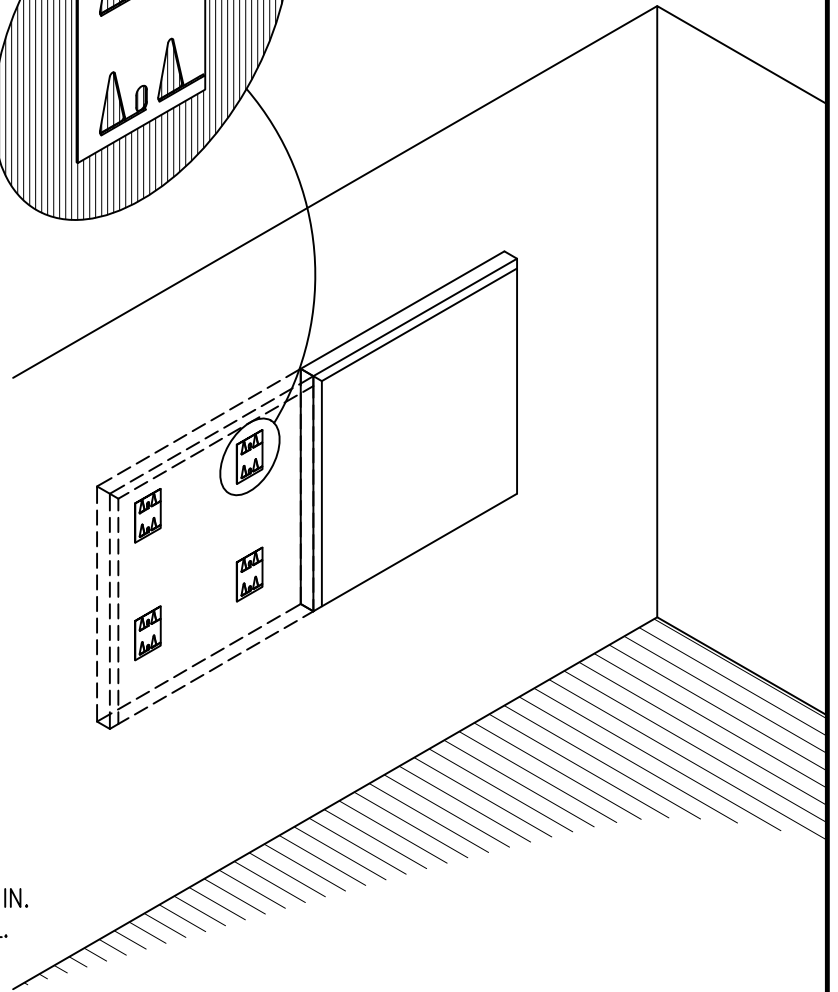
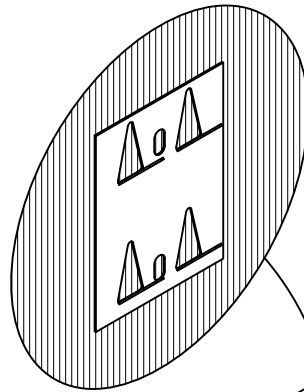
ATTACH IMPALING CLIPS TO WALL.

QTY./LENGTH	QTY./LENGTH			
	24"	48"	72"	96"
24"	4	4	6	8
48"	4	4	6	8
72"	6	6	-	-
96"	8	8	-	-

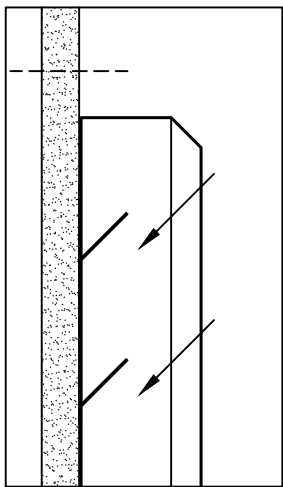


DRAW A LINE 1" ABOVE DESIRED HEIGHT.

GENTLY REST PANEL AGAINST CLIPS MAINTAINING LEVEL WITH LINE.



PUSH FIRMLY DOWN & IN. PIERCE BACK OF PANEL.



99 SOUTH STREET, PASSAIC, NJ 07055
(P) 973-916-1166 (E) estimating@rpgacoustic.com

Title: RPG MODSORBOR PANEL MOUNTING #1 IMPALING CLIPS

Label:

Proj: RPG MOUNTING

JOB#:

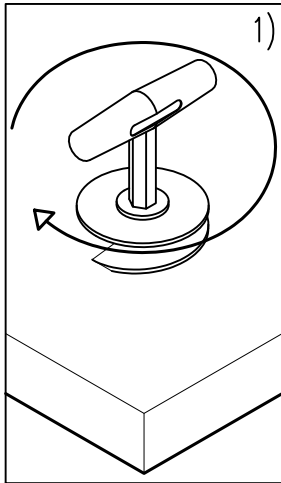
Line Item: QTY.

Date: 8/25/22

By:

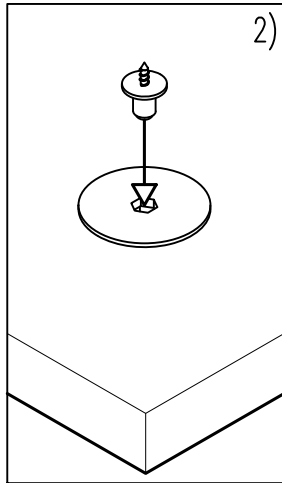
Scale: 3/4" = 1'-0"

Path: F:\Project Maint - RPG\ -RPG PRODUCTS\ALL PRODUCTS DRAWING\MDSP_Modsorbor Panel\1- AutoCAD Drawings\Mounting\Modsorbor Mounting R1



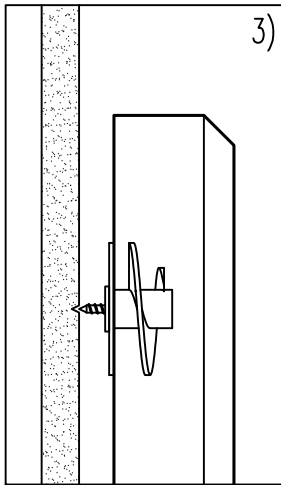
1)

ATTACH ROTOFAST™ ANCHOR



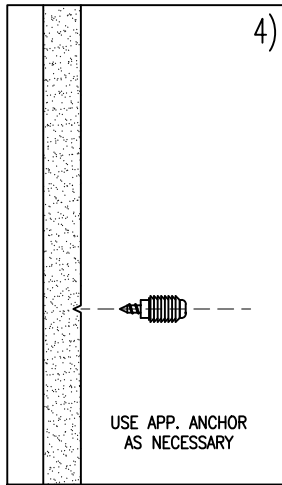
2)

INSERT MARKER SCREW



3)

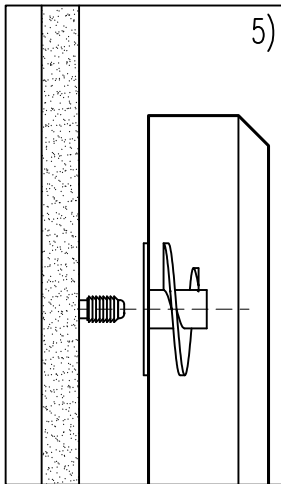
MARK WALL



4)

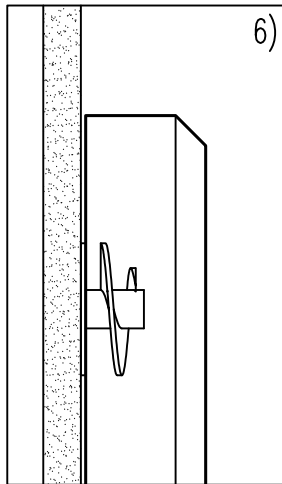
MOUNT STUDS

USE APP. ANCHOR
AS NECESSARY



5)

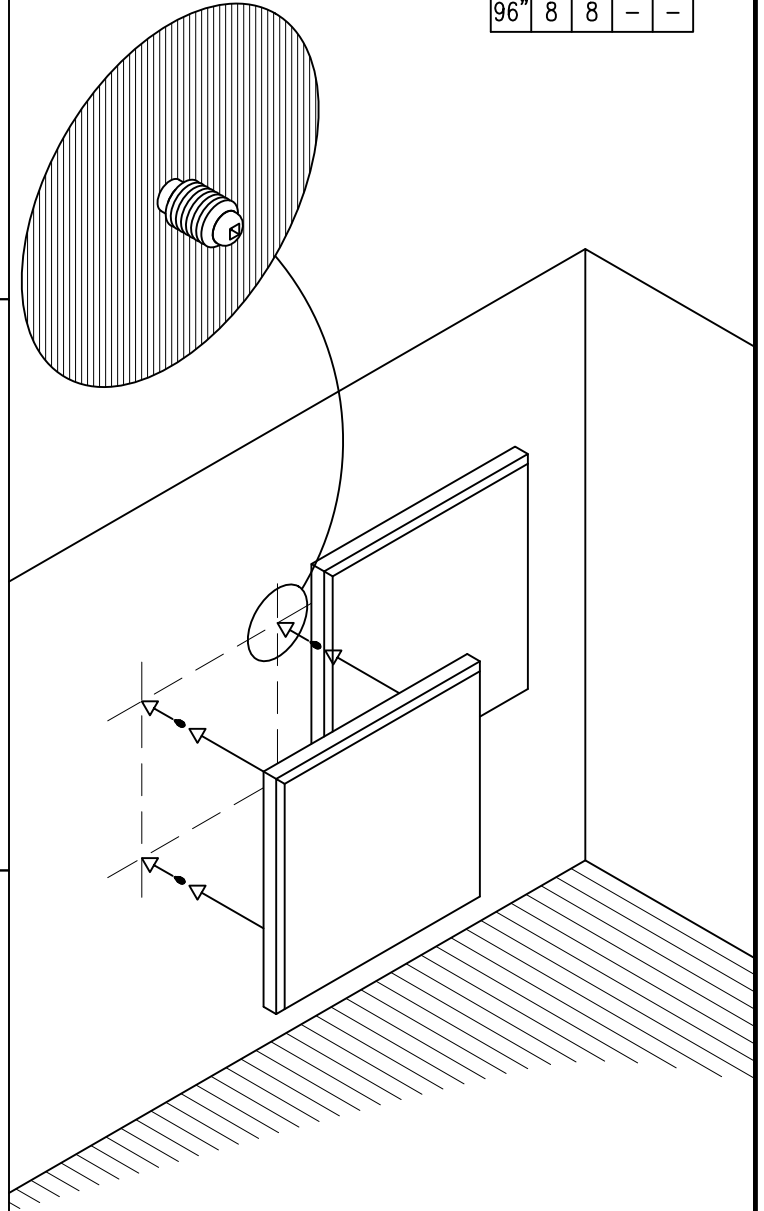
REMOVE MARKER SCREW



6)

SNAP PANEL ONTO STUDS

		QTY./LENGTH			
		24"	48"	72"	96"
24"		4	4	6	8
48"		4	4	6	8
72"		6	6	-	-
96"		8	8	-	-



99 SOUTH STREET, PASSAIC, NJ 07055
(P) 973-916-1166 (E) estimating@rpgacoustic.com

Title: RPG MODSORBOR PANEL
MOUNTING #4 ROTOFAST™ SNAP-ON

Label:

Proj: RPG MOUNTING

JOB#:

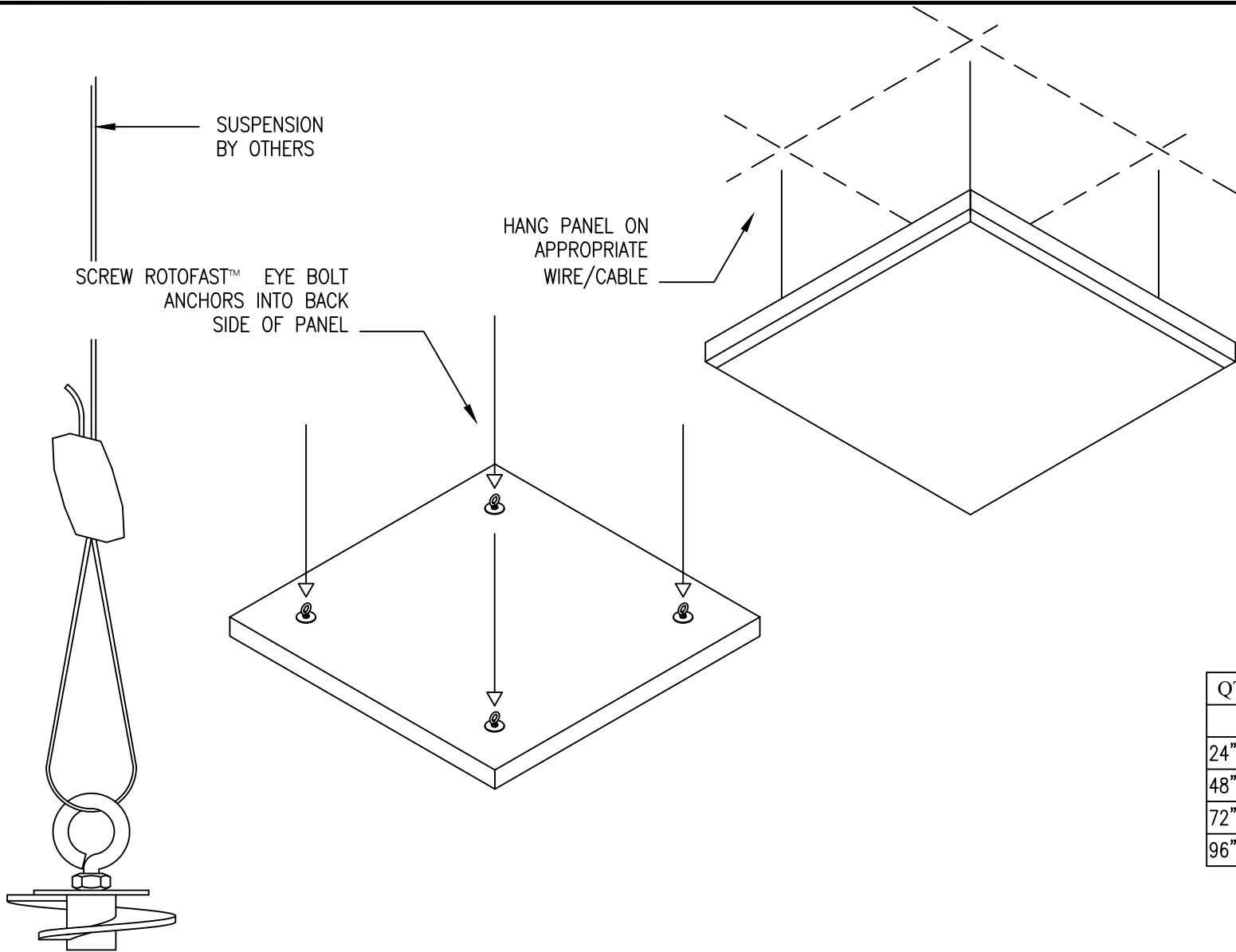
Line Item:

QTY.

Date: 8/25/22

By: 3/4" Scale:

Path: F:\Project Mgmt - RPG\RPG PRODUCTS\ALL PRODUCTS DRAWING\MDSP_Modsorbor Panel\AutoCAD Drawings\Mounting\Modsorbor Mounting RI



QTY./LENGTH				
	24"	48"	72"	96"
24"	4	4	6	8
48"	4	4	6	8
72"	6	6	-	-
96"	8	8	-	-



99 SOUTH STREET, PASSAIC, NJ 07055
(P) 973-916-1166 (E) estimating@rpgacoustic.com

Title: RPG MODSORBOR PANEL MOUNTING #3 ROTOFAST™ EYELET			Label:	
Proj: RPG MOUNTING		JOB#:		Line Item:
Date: 8/25/22 WRM		By: I"=1'-0"		
Path: F:\Project Mgmt - RPG__RPG PRODUCTS\ALL PRODUCTS DRAWING\MDSP_Modsorbor Panel\1- AutoCAD Drawings\Mounting\Modsorbor Mounting RI			QTY.:	
Scale:				