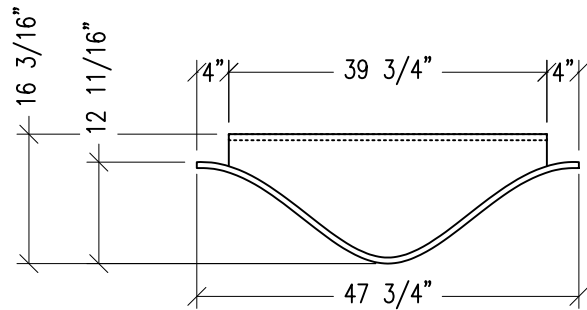
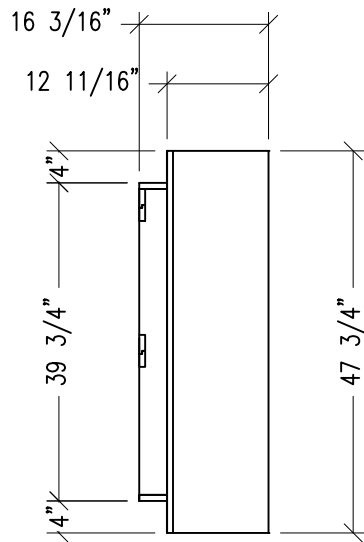


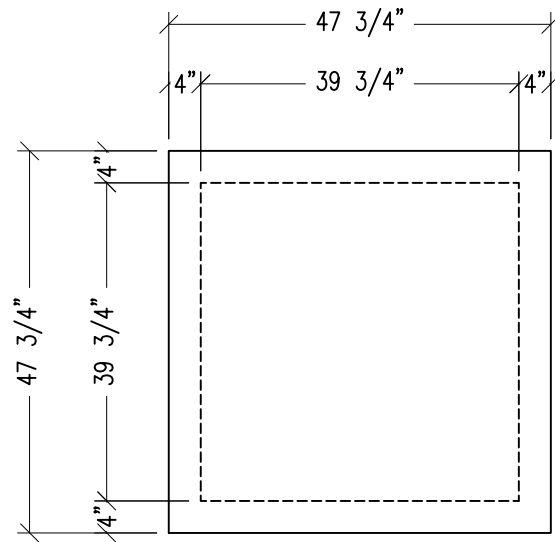
ISOMETRIC



TOP



SIDE



FACE

[Manufacturing tolerance +/- 1/16"]



ACOUSTICAL SYSTEMS - LLC
 99 SOUTH STREET, PASSAIC, NJ 07055
 (P) 973-916-1166 (E) estimating@rpgacoustic.com

Title: WAVEFORM GAUSSIAN W12" W1
 CUTSHEET

Label:
WFGW

Proj:

JOB#:

Line Item: QTY.

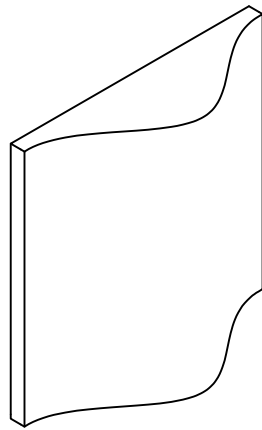
Date: 8/24/22

By: JF

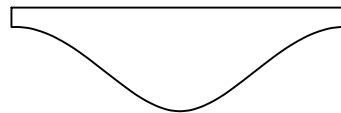
Scale: N15

#

Path: F:\Project Mgmt - RPG\RPG PRODUCTS\ALL PRODUCTS DRAWING\WFGW_Waveform Gaussian W1 - AutoCAD Drawings\Cutsheet\WFGW 12in CS R1

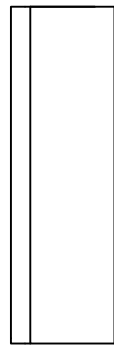


ISOMETRIC

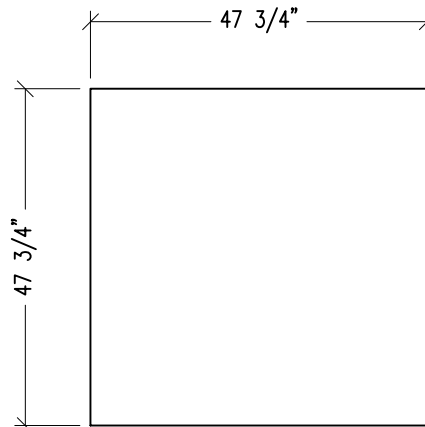


SIDE

14 11/16"
11 29/32"



END



FACE



ACOUSTICAL SYSTEMS - LLC
99 SOUTH STREET, PASSAIC, NJ 07055
(P) 973-916-1166 (E) estimating@rpgacoustic.com

Title: WAVEFORM GAUSSIAN W12"-WR

Label:

Proj:

JOB#:

Line Item: QTY.

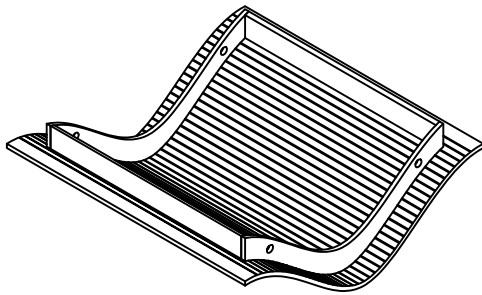
Date: 8/24/22

By: jf

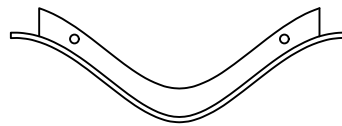
Scale: NTS

qty

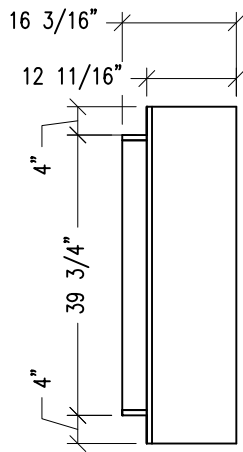
Path: F:\Project Mgmt - RPG\PRODUCTS\ALL PRODUCTS DRAWING\WFGW\Waveform Gaussian W\AutoCAD Drawings\Cutsheet\WFGW 12in CS.R1



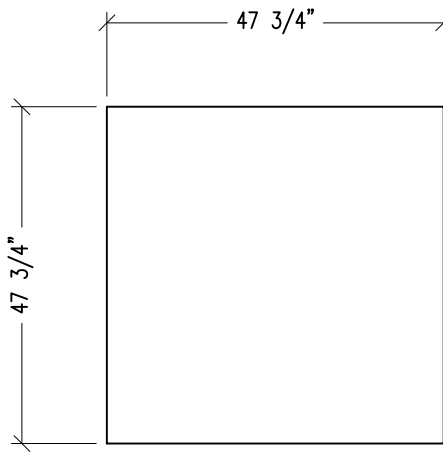
ISOMETRIC



SIDE



END

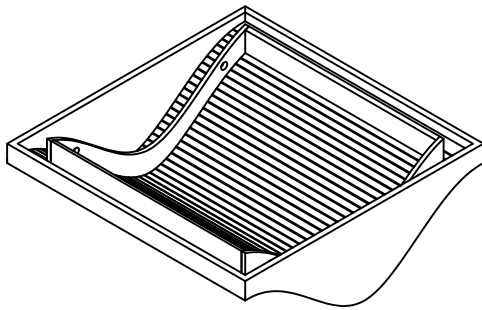


FACE

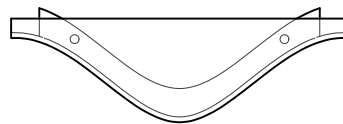


99 SOUTH STREET, PASSAIC, NJ 07055
 (P) 973-916-1166 (E) estimating@rpgacoustic.com

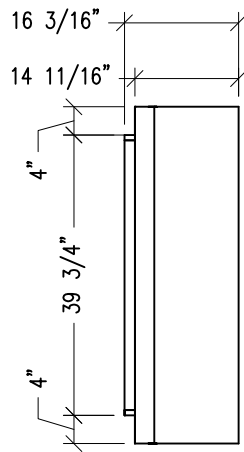
Title: WAVEFORM GAUSSIAN W12"-C1		Label:	
Proj:	JOB#:	Line Item:	QTY.
Date: 8/24/22	By: jf	##	qty
Path: F:\Project Mgmt - RPG\PRODUCTS\ALL PRODUCTS DRAWING\WFGW\Waveform Gaussian W\ - AutoCAD Drawings\Cutsheet\WFGW 12in C5.R1			



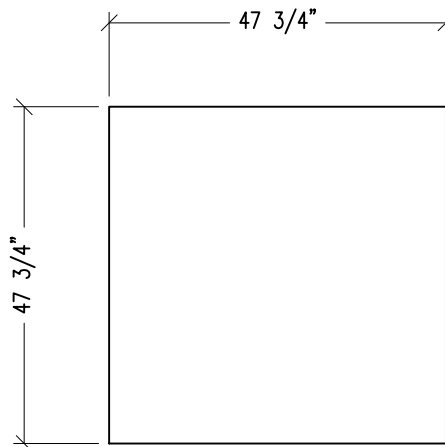
ISOMETRIC



SIDE



END



FACE



ACOUSTICAL SYSTEMS - LLC
 99 SOUTH STREET, PASSAIC, NJ 07055
 (P) 973-916-1166 (E) estimating@rpgacoustic.com

Title: WAVEFORM GAUSSIAN W12"-CR

Label:

Proj:

JOB#:

Line Item:

QTY.

Date: 8/24/22

By: jf

Scale: NTS

##

qty

Path: F:\Project Mgmt - RPG\PRODUCTS\ALL PRODUCTS DRAWING\WFGW_Waveform Gaussian W\1 - AutoCAD Drawings\Cutsheet\WFGW 12in CS.R1