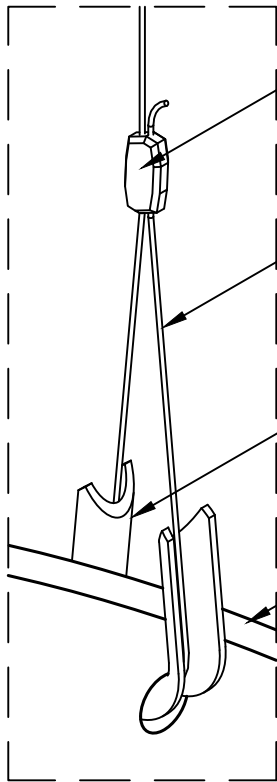


LOOP END AT TOP OF SUSPENSION CABLE

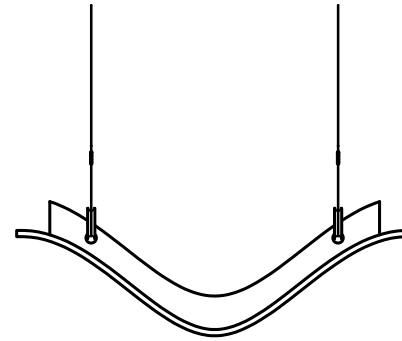


GRIPPLE

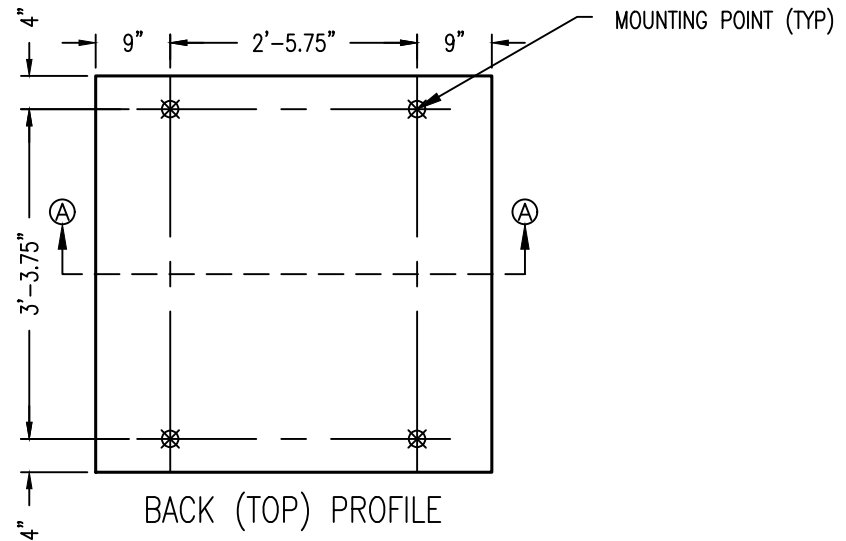
SUSPENSION CABLE

THIMBLE

RIB



SECTION 'AA'



Title: RPG WAVEFORM GAUSSIAN 12" -CI MOUNTING DETAIL - SUSPENSION

Proj: RPG PRODUCT

Date: 08.24.22

By: CNN

Scale: 1/2" = 1'-0"

Comments:

---



---



---

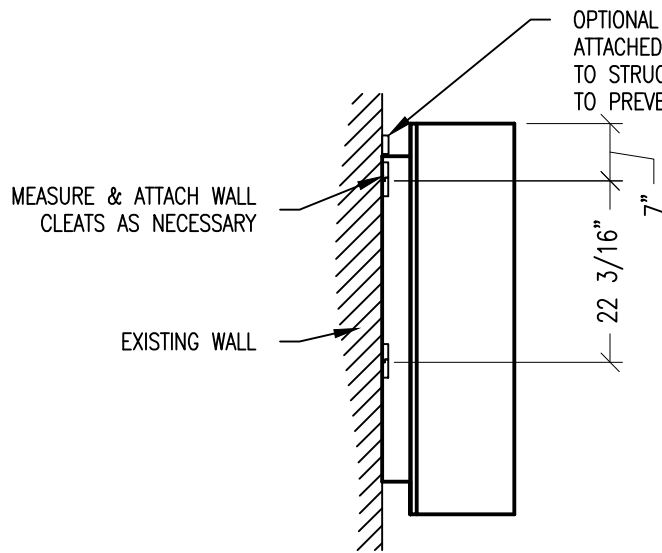
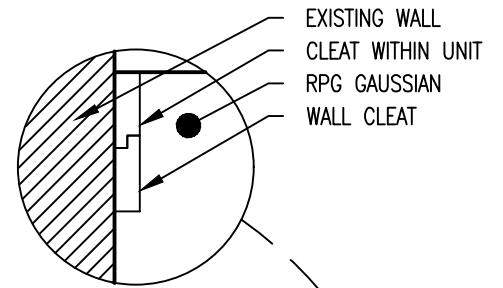
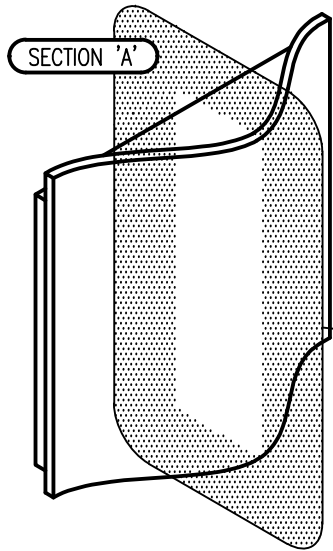


---



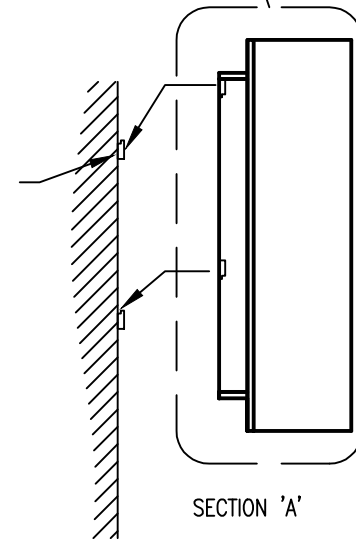
---

Path: F:\Project Mgmt - RPG\RPG PRODUCTS\ALL PRODUCTS DRAWING\WFGW\_Waveform Gaussian W\1- AutoCAD Drawings\Mounting

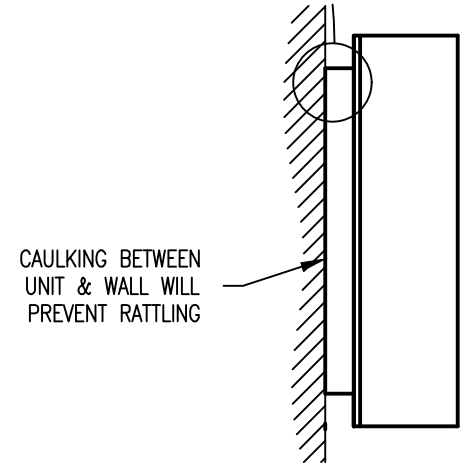


STEP 1

PRESS UNIT AGAINST WALL, THEN SLIDE DOWN ONTO CLEATS



STEP 2



STEP 3

CAULKING BETWEEN UNIT & WALL WILL PREVENT RATTLING



99 SOUTH STREET, PASSAIC, NJ 07055  
(P) 973-916-1166 (E) estimating@rpgacoustic.com

Title: RPG WAVEFORM GAUSSIAN 12"-Wi  
MOUNTING DETAIL - CLEAT

Proj: RPG PRODUCT

Date: 08.24.22

By: CV

Scale: 1/2"=1'-0"

Path: F:\Project Mgmt - RPG\\_-RPG PRODUCTS\ALL PRODUCTS DRAWING\WFGW\_Waveform Gaussian W\1- AutoCAD Drawings\Mounting

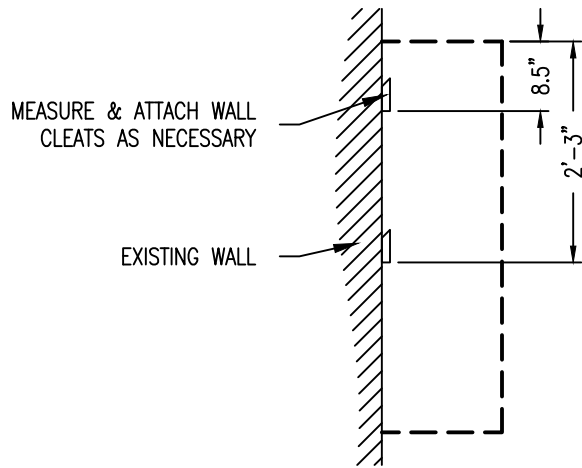
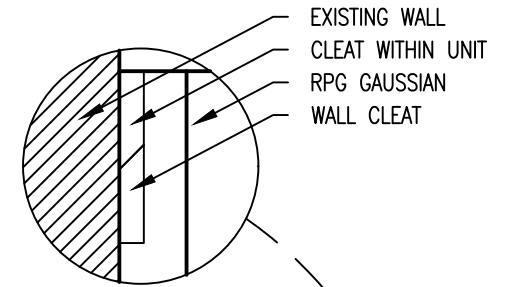
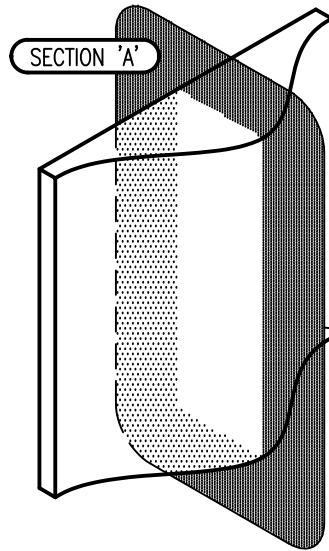
Comments:

\_\_\_\_\_

\_\_\_\_\_

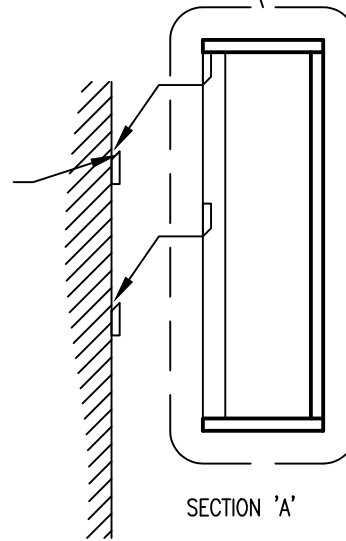
\_\_\_\_\_

\_\_\_\_\_



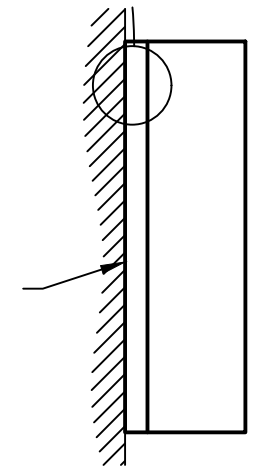
STEP 1

PRESS UNIT AGAINST WALL, THEN SLIDE DOWN ONTO CLEATS



STEP 2

CAULKING BETWEEN UNIT & WALL WILL PREVENT RATTLING



STEP 3



99 SOUTH STREET, PASSAIC, NJ 07055  
(P) 973-916-1166 (E) estimating@rpgacoustic.com

Title: RPG WAVEFORM GAUSSIAN 12"-WR  
MOUNTING DETAIL - CLEAT

Proj: RPG PRODUCT

Date: 08.24.22

By: CNN

Scale: 1/2" = 1'-0"

Comments:

---



---



---

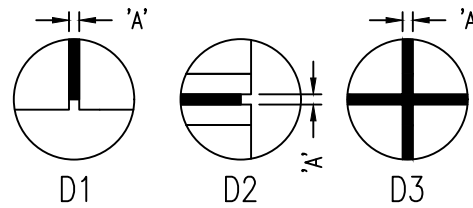
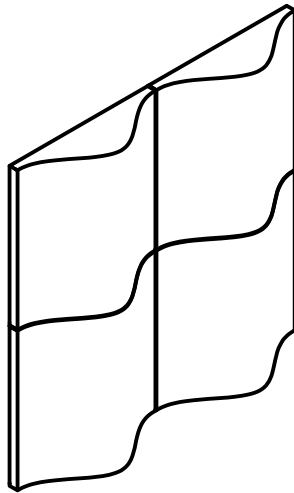


---

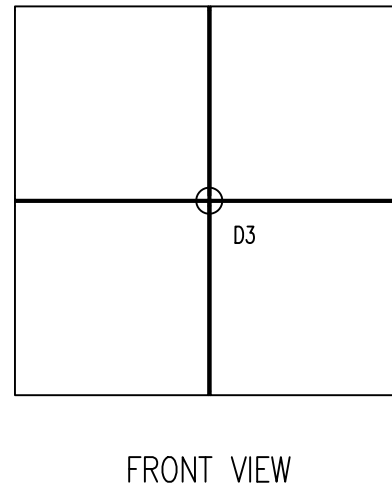
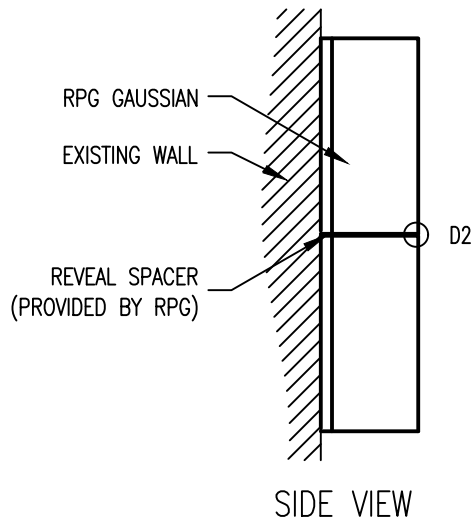
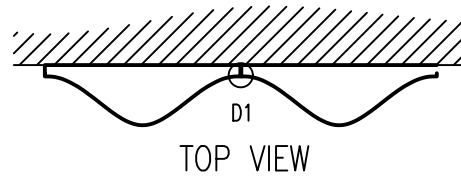


---

Path: F:\Project Mgmt - RPG\\_-RPG PRODUCTS\ALL PRODUCTS DRAWING\WFGW\_Waveform Gaussian W\1- AutoCAD Drawings\Mounting



NOTES:  
1. DIMENSION 'A' = 0.250"



99 SOUTH STREET, PASSAIC, NJ 07055  
(P) 973-916-1166 (E) estimating@rpgacoustic.com

Title: RPG WAVEFORM GAUSSIAN 12"-WR  
MOUNTING DETAIL - REVEAL

Proj: RPG PRODUCT

Date: 08.24.22

By: CNN

Scale: 1/2"=1'-0"

Comments:

---



---



---

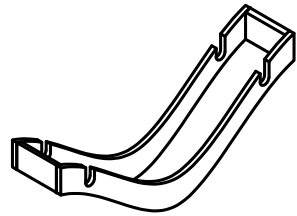


---

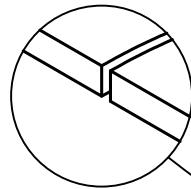


---

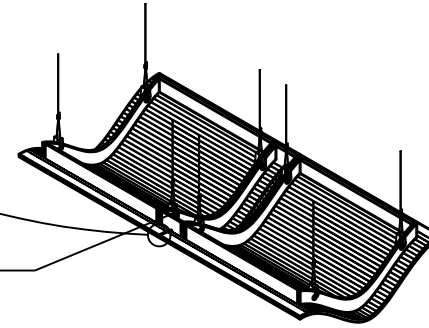
Path: F:\Project Mgmt - RPG\PROJECTS\ALL PRODUCTS DRAWING\WFGW\_Waveform Gaussian W\1- AutoCAD Drawings\Mounting



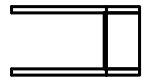
ISOMETRIC



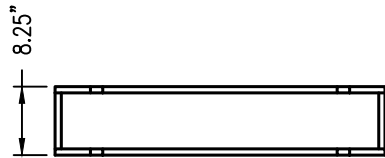
JOINING FRAME CREATES  
A .250" REVEAL.



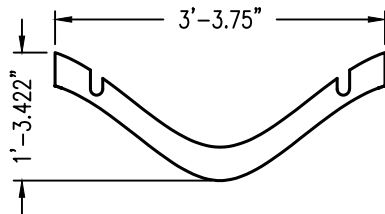
USING WOOD SCREWS, ATTACH  
THE RIBS OF THE JOINING FRAME  
TO THE RIBS OF THE SPLINES.



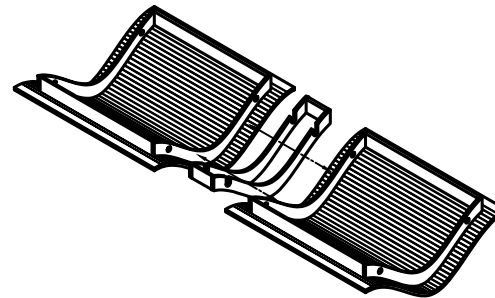
END



TOP



SIDE



99 SOUTH STREET, PASSAIC, NJ 07055  
(P) 973-916-1166 (E) estimating@rpgacoustic.com

Title: RPG WAVEFORM GAUSSIAN 12" -CI  
MOUNTING DETAIL - JOINING

Proj: RPG PRODUCT

Date: 08.24.22

By: CNN

Scale: 1/2" = 1'-0"

Comments:

\_\_\_\_\_  
\_\_\_\_\_  
\_\_\_\_\_  
\_\_\_\_\_

Path: F:\Project Mgmt - RPG\ -RPG PRODUCTS\ALL PRODUCTS DRAWING\WFGW\_Waveform Gaussian W\1- AutoCAD Drawings\Mounting