

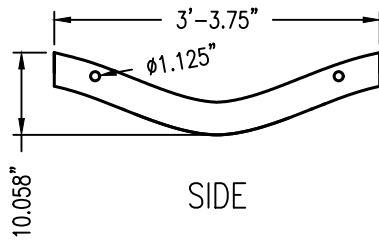
ISOMETRIC



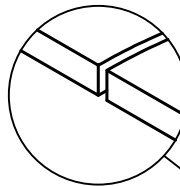
END



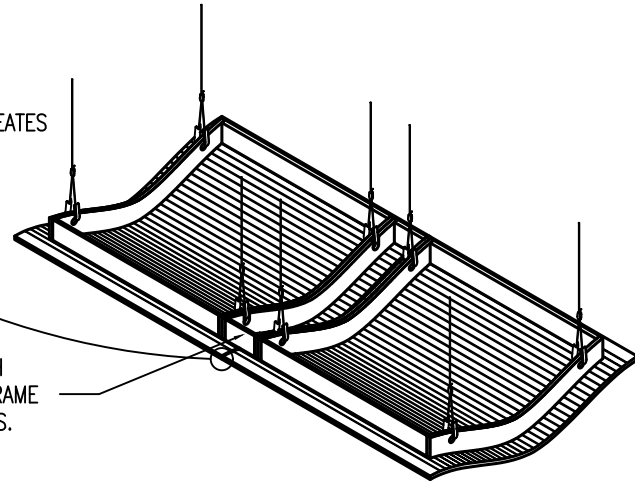
TOP



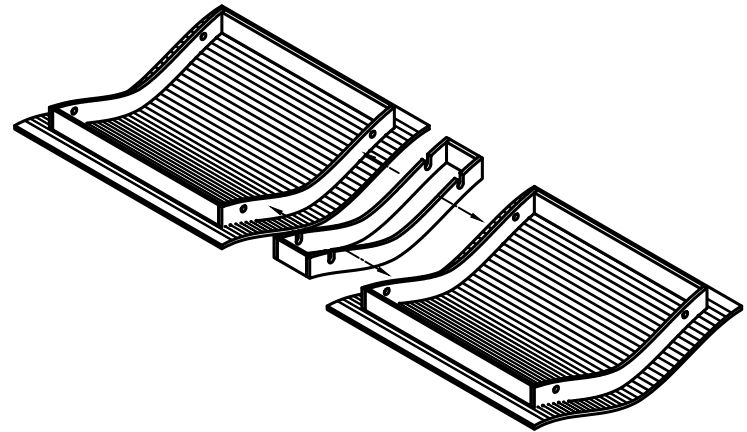
SIDE



JOINING FRAME CREATES
A .250" REVEAL.



USING WOOD SCREWS, ATTACH
THE RIBS OF THE JOINING FRAME
TO THE RIBS OF THE SPLINES.



Title: RPG WAVEFORM GAUSSIAN W6''-W1
MOUNTING DETAIL - JOINING

Proj: RPG PRODUCT

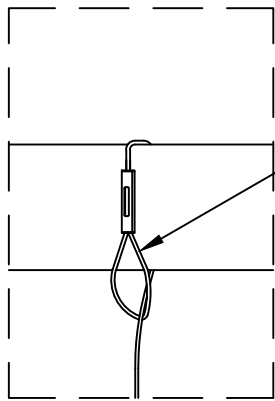
Date: 08/24/22

By: CNN

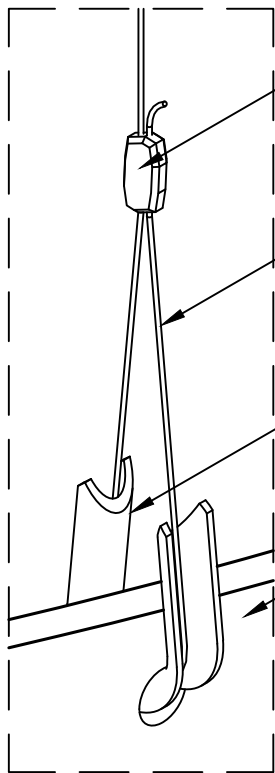
Scale: 1/2" = 1'-0"

Comments:

Path: F:\Project Mgmt - RPG\PROJECTS\ALL PRODUCTS DRAWING\WFGW_Waveform Gaussian W\1- AutoCAD Drawings\Mounting



LOOP END AT TOP OF SUSPENSION CABLE

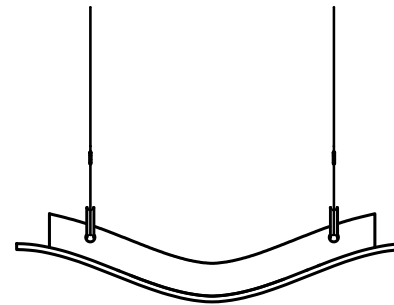


GRIPPLE

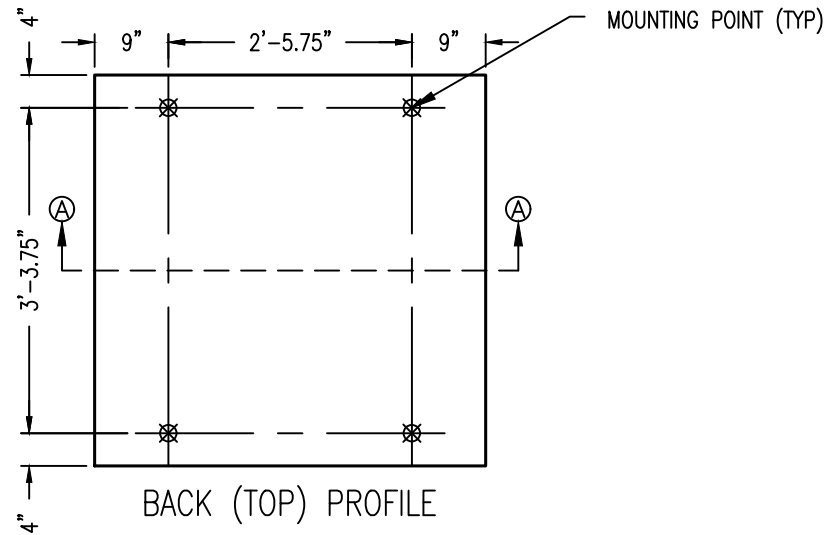
SUSPENSION CABLE

THIMBLE

RIB



SECTION 'AA'



99 SOUTH STREET, PASSAIC, NJ 07055
 (P) 973-916-1166 (E) estimating@rpgacoustic.com

Title: RPG WAVEFORM GAUSSIAN W6" - W1
 MOUNTING DETAIL - SUSPENSION

Proj: RPG PRODUCT

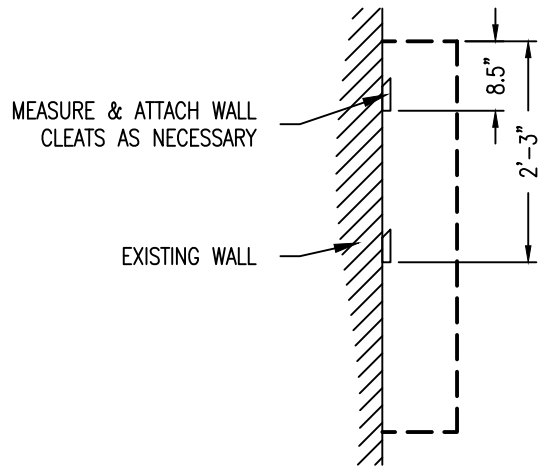
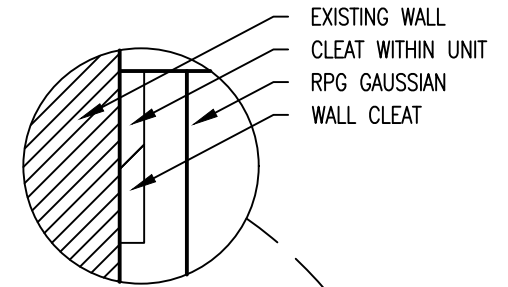
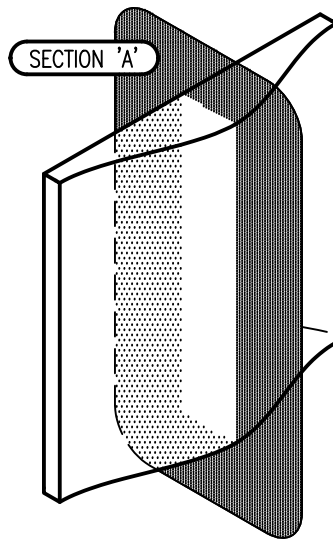
Date: 08/24/22

By: CNN

Scale: 1/2" = 1'-0"

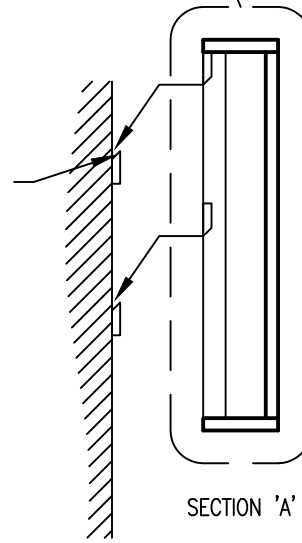
Path: F:\Project Mgmt - RPG\RPG PRODUCTS\ALL PRODUCTS DRAWING\WFGW_Waveform Gaussian W\1 - AutoCAD Drawings\Mounting

Comments:



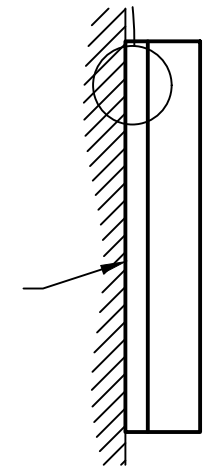
STEP 1

PRESS UNIT AGAINST WALL, THEN SLIDE DOWN ONTO CLEATS



STEP 2

CAULKING BETWEEN UNIT & WALL WILL PREVENT RATTLING



STEP 3



Title: RPG WAVEFORM GAUSSIAN W6" -WR MOUNTING DETAIL - CLEAT

Proj: RPG PRODUCT

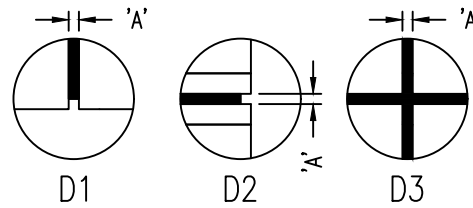
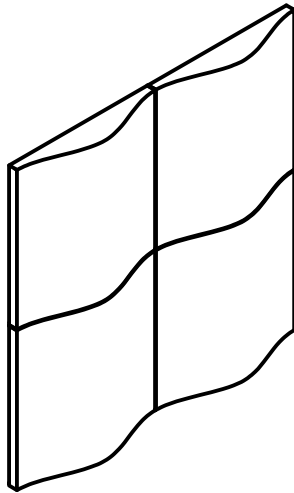
Date: 08/24/22

By: CNN

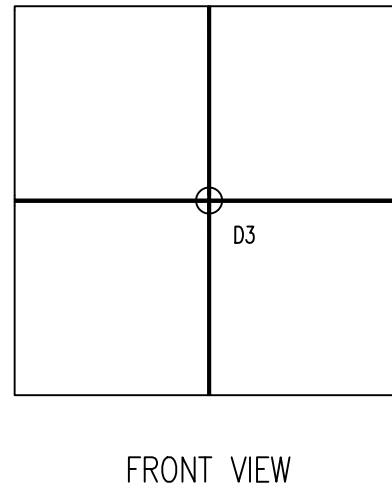
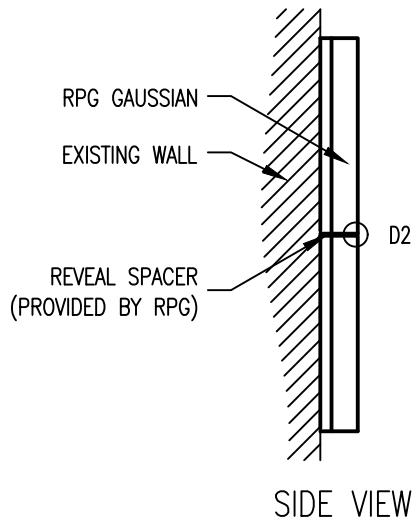
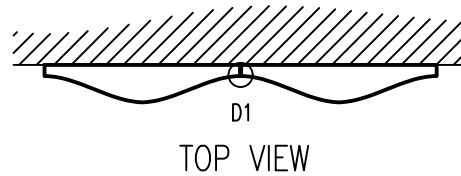
Scale: 1/2" = 1'-0"

Comments:

Path: F:\Project Mgmt - RPG\RPG PRODUCTS\ALL PRODUCTS DRAWING\WFGW_Waveform Gaussian W\1- AutoCAD Drawings\Mounting



NOTES:
1. DIMENSION 'A' = 0.250"



99 SOUTH STREET, PASSAIC, NJ 07055
(P) 973-916-1166 (E) estimating@rpgacoustic.com

Title: RPG WAVEFORM GAUSSIAN W6" - WR
MOUNTING DETAIL - REVEAL

Proj: RPG PRODUCT

Date: 08/24/22

By: CNN

Scale: 1/2" = 1'-0"

Path: F:\Project Mgmt - RPG\ - RPG PRODUCTS\ALL PRODUCTS DRAWING\WFGW_Waveform Gaussian W\1 - AutoCAD Drawings\Mounting

Comments:
