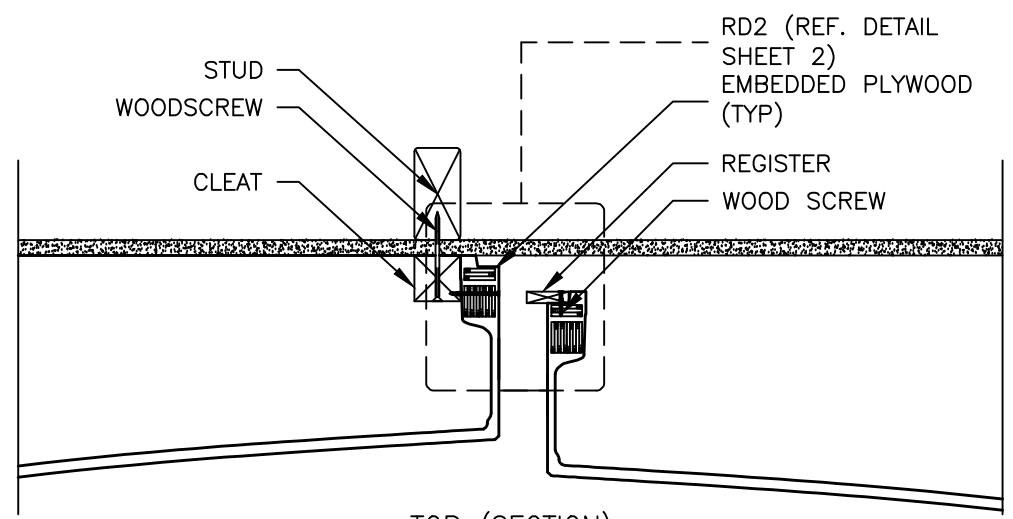
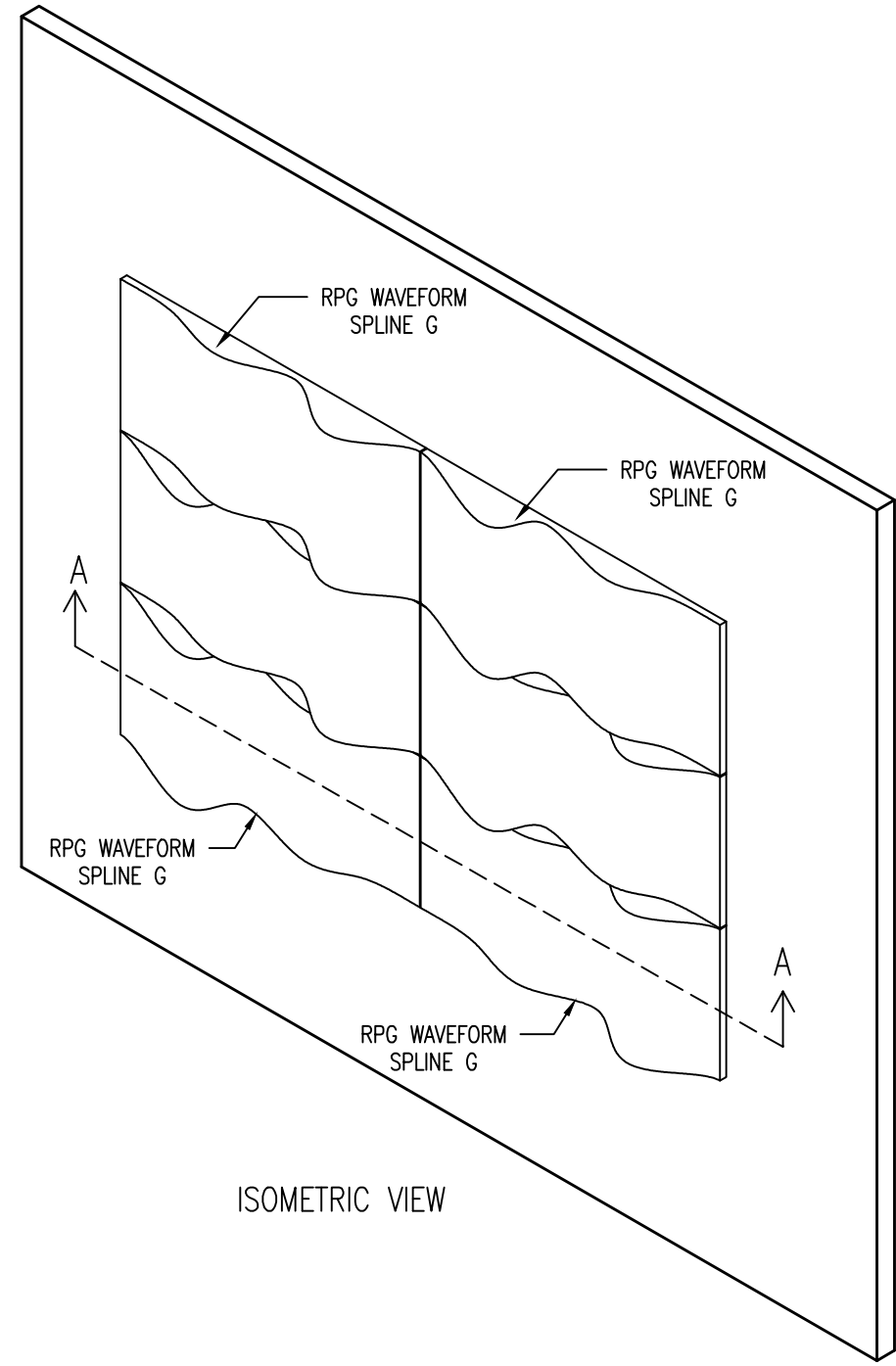


FRONT VIEW (EXPLODED ASSEMBLY)

- Step 1:
 Beginning with the 'Center' panel, locate and anchor 4 cleats to the wall, then secure panel to cleats using wood screws.
- Step 2:
 Continuing with 'Mid' panels, locate and anchor 3 cleats to the wall, slide register strip behind center panel, then secure panel to cleats using wood screws.
- Step 3:
 Continuing with 'Corner' panels, locate and anchor 2 cleats to the wall, slide register strips behind Mid units, then secure panel to cleats using wood screws.



TOP (SECTION)



ISOMETRIC VIEW



| | | | |
|---|--------|----------------|------|
| Title: WAVEFORM SPLINE G MOUNTING | | Label: WVFSPLN | |
| Proj: RPG PRODUCT | JOB#: | Line Item: | QTY. |
| Date: 8/24/22 | By: CV | Scale: NTS | |
| Path: F:\Project Mgmt - RPG\RPG PRODUCTS\ALL PRODUCTS DRAWING\WVSG_Waveform Spline G Wall\1 - AutoCAD Drawings\Mounting | | | |

FABRICATION TOLERANCES:
 PANEL DIMENSIONS: ±1/16"