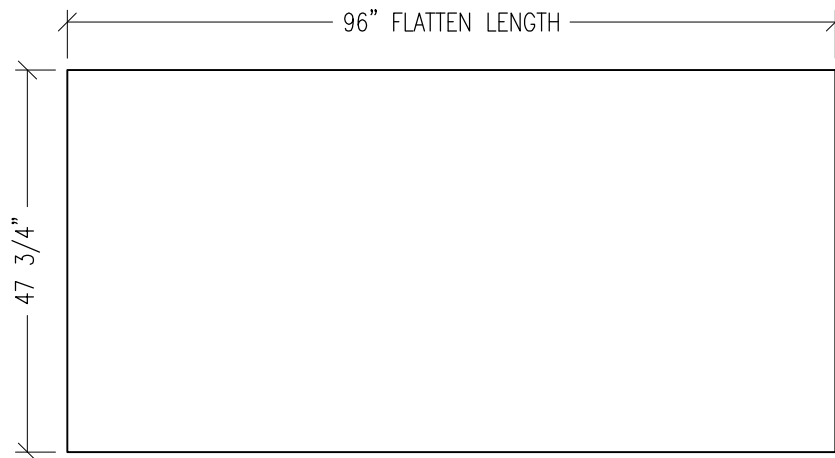
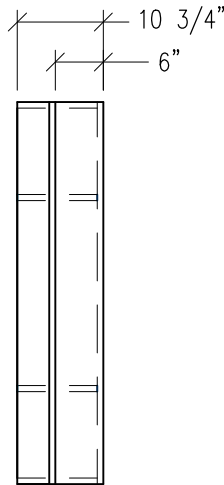


STANDARD BLACK EDGING
ON ALL SIDES



WFSW – STANDARD SPLINE – 4” RETURNS
 PARTS FROM 3/4” PLYWOOD
 4 RIBS–XX”x~4” (FROM ROUTER)
 10 PCS. @ 4”x10.8125” M1S
 3 PCS. @ 4”x23.125” M1S
 2 PCS. @ 2”x47.75”
 1 PC. PER UNIT @ 48”x96”



99 SOUTH STREET, PASSAIC, NJ 07055
 (P) 973-916-1166 (E) estimating@rpgacoustic.com

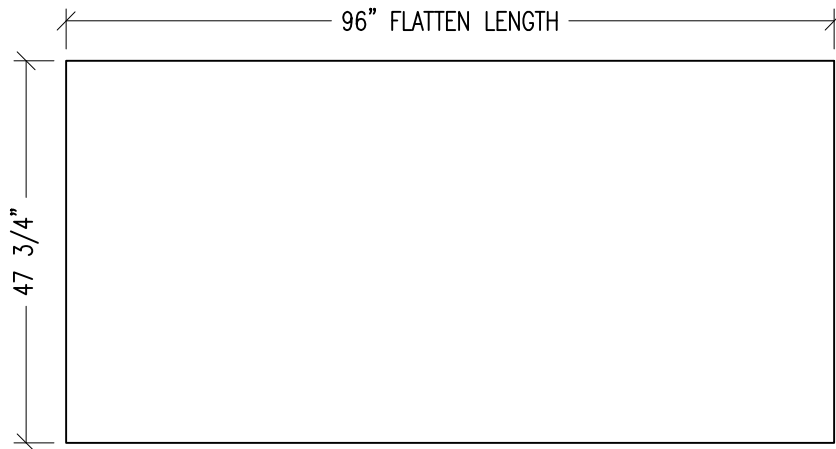
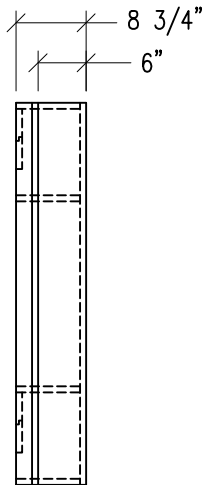
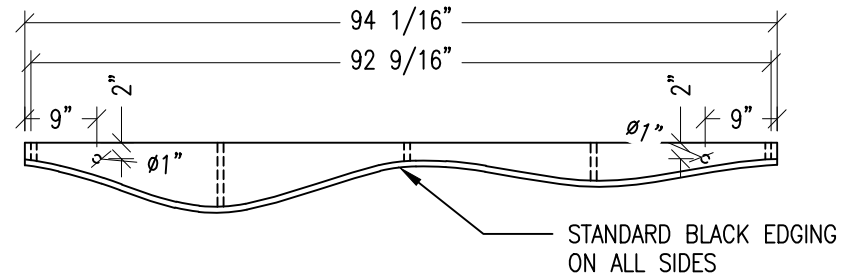
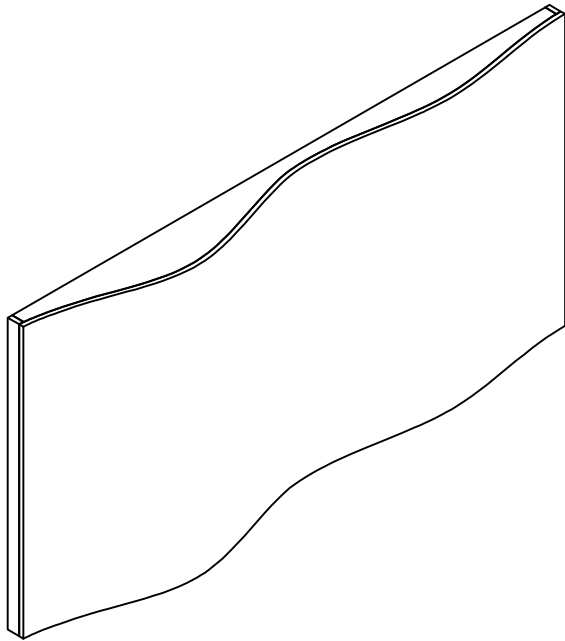
Title: RPG SPLINE - R CUTSHEET

Proj: RPG PRODUCT

Date: 8/25/22 By: JLP Scale: N15

Path: F:\Project Mgmt - RPG\RPG PRODUCTS\ALL PRODUCTS DRAWING\WFSW_Waveform Spline W\1-AutoCAD Drawings\Cutsheet\WFSW (R) CS_R2

Comments:



WFSW - STANDARD SPLINE - 4" RETURNS

- PARTS FROM $\frac{3}{4}$ " PLYWOOD
- 4 RIBS-XX"x~4" (FROM ROUTER)
- 10 PCS. @ 7.5"x10.8125" M1S
- 3 PCS. @ 7.5"x23.125" M1S
- 2 PCS. @ 2"x47.75"
- 1 PC. PER UNIT @ 4"x96"
- 4 CLEAT PCS. @ 4"x92.5625"



99 SOUTH STREET, PASSAIC, NJ 07055
 (P) 973-916-1166 (E) estimating@rpgacoustic.com

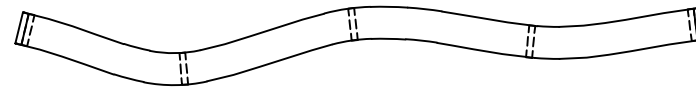
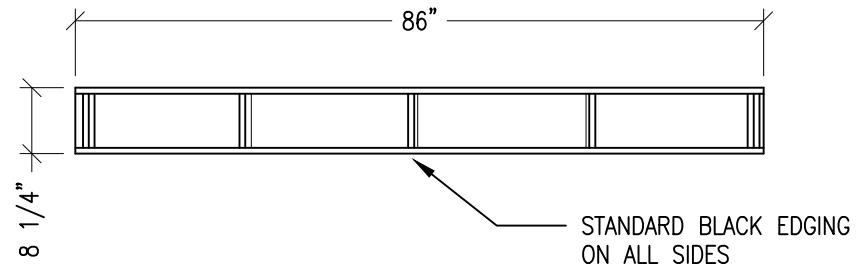
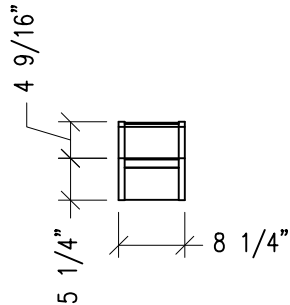
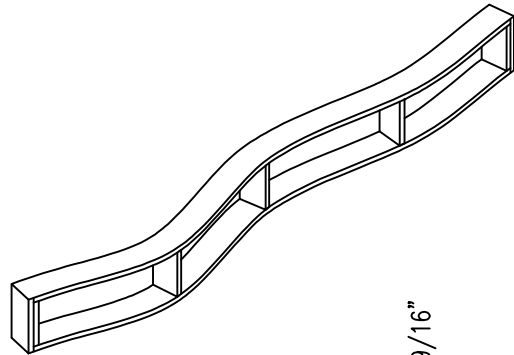
Title: RPG SPLINE - W
 CUTSHEET

Proj: RPG PRODUCT

Date: 8/29/22 By: JLP Scale: N15

Path: F:\Project Mgmt - RPG\RPG PRODUCTS\ALL PRODUCTS DRAWING\WFSW_Waveform Spline W\1-AutoCAD Drawings\Cutsheet\WFSW (W) CS_R2

Comments:



WFSW – STANDARD SPLINE – 4” RETURNS

PARTS FROM $\frac{3}{4}$ ” PLYWOOD

2 RIBS-XX”x~4” (FROM ROUTER)

2 PCS. @ 4”x8.25” M1S

5 PCS. @ 4”x6.75” M1S



99 SOUTH STREET, PASSAIC, NJ 07055
(P) 973-916-1166 (E) estimating@rpgacoustic.com

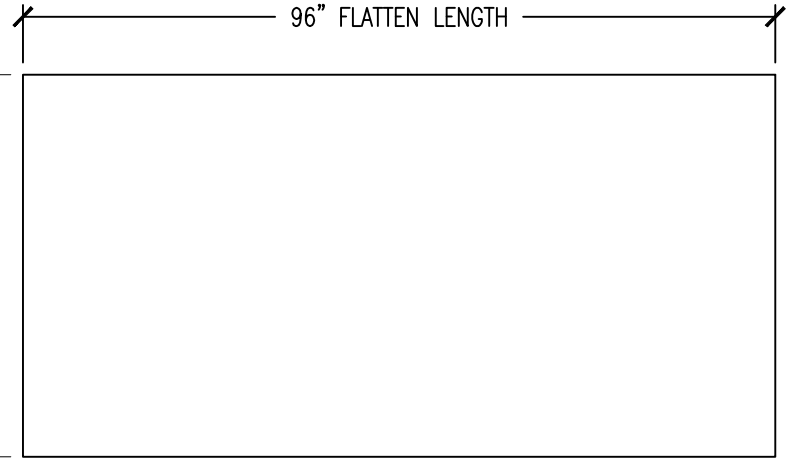
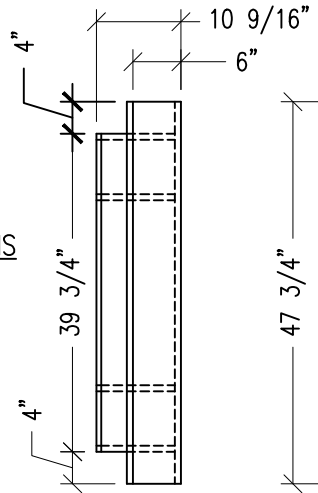
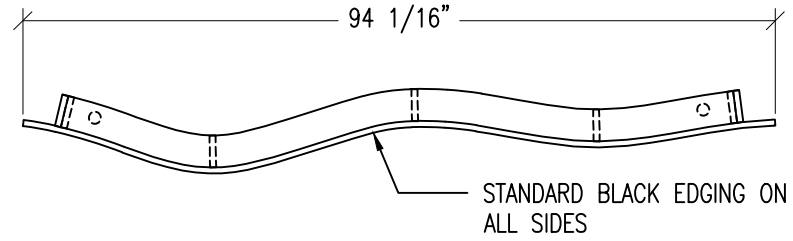
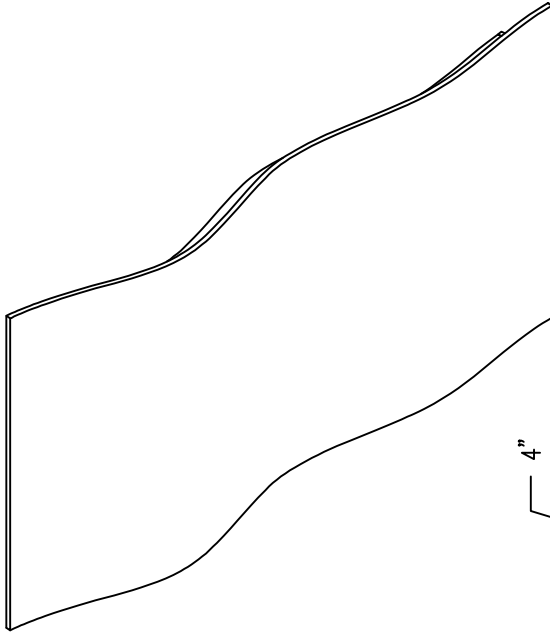
Title: RPG SPLINE - 1 - JOINING
CUTSHEET

Proj: RPG PRODUCT

Date: 8/25/22 By: JLP Scale: N15

Path: F:\Project Mgmt - RPG\RPG PRODUCTS\ALL PRODUCTS DRAWING\WFSW_Waveform Spline W\1-AutoCAD Drawings\Cutsheet\WFSW (1) CS_R2

Comments:



WFSW - STANDARD SPLINE - 4" INSET RETURNS

- PARTS FROM $\frac{3}{4}$ " PLYWOOD
- 4 RIBS-XX"x~4" (FROM ROUTER)
- 10 PCS. @ 4"x6.8125" M1S
- 3 PCS. @ 4"x23.125" M1S
- 2 PCS. @ 4"x39.75"
- 1 PC. PER UNIT @ 47 3/4"x96"



99 SOUTH STREET, PASSAIC, NJ 07055
 (P) 973-916-1166 (E) estimating@rpgacoustic.com

Title: RPG SPLINE - 1
 CUTSHEET

Proj: RPG PRODUCT

Date: 8/25/22 By: JLP Scale: N15

Path: F:\Project Mgmt - RPG\RPG PRODUCTS\ALL PRODUCTS DRAWING\WFSW_Waveform Spline W\1-AutoCAD Drawings\Cutsheet\WFSW (1) CS_R2

Comments:
