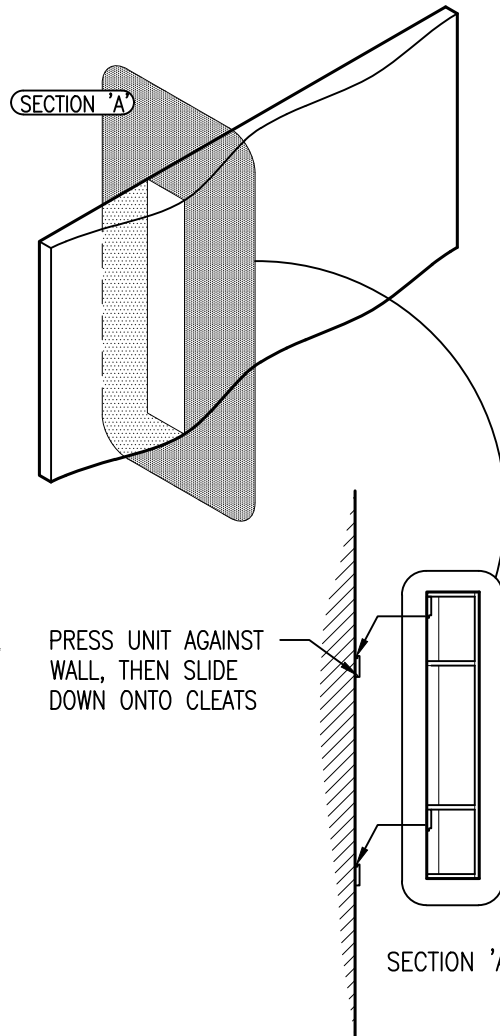
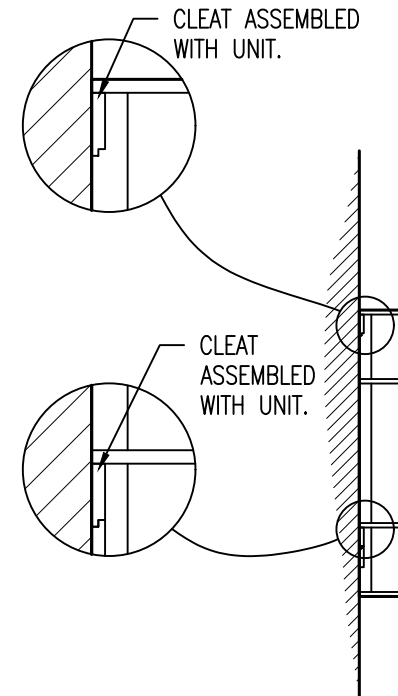


STEP 1



STEP 2



STEP 3



99 SOUTH STREET, PASSAIC, NJ 07055
 (P) 973-916-1166 (E) estimating@rpgacoustic.com

Title: WAVEFORM SPLINE-W
 WALL MOUNTING - CLEATS

Proj: RPG PRODUCT

Date: 8/25/22 By: ACT Scale: NTS

Path: F:\Project Mgmt - RPG\PROJECTS\ALL PRODUCTS DRAWING\WFSW_Waveform Spline W\1-AutoCAD Drawings\Mounting\WFSW_Mounting R2

Comments:
